



BC26 Illustrated Parts List

Beginning Serial #: 031523001

Models

BC2600ICH
BC2600ICHC
BC2600ICHFT
BC2600ICM
BC2601HH
BC2601HHC
BC2601HHFT
BC2601HEBH
BC2601HEBHFT
BC2601HM
BC2601HMFT



TABLE OF CONTENTS

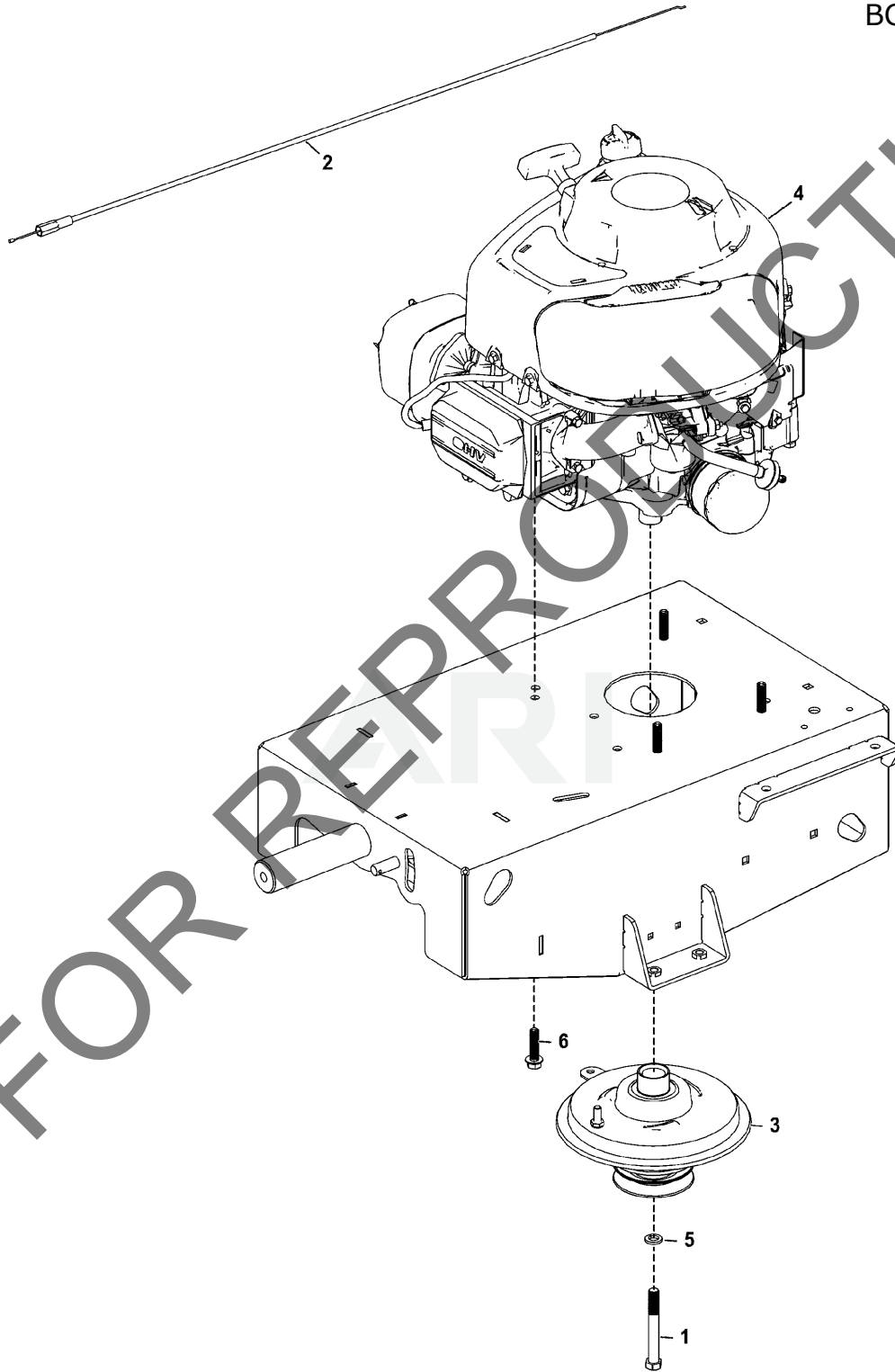
Engine Groups	2
Engine Base Groups	8
Deck Groups	13
Handle Groups	19
Speed Control and Idler Groups	31
Spindle Groups	37
Wheel Drive Groups	46
Labels	54

NOT FOR REPRODUCTION

Engine Assembly

Models:

BC2600ICH
BC2600ICHC
BC2600ICHFT
BC2600ICM



Rendered by ARI Network Services, Inc.

Engine Assembly

Models:

BC2600ICH
 BC2600ICHC
 BC2600ICHFT
 BC2600ICM

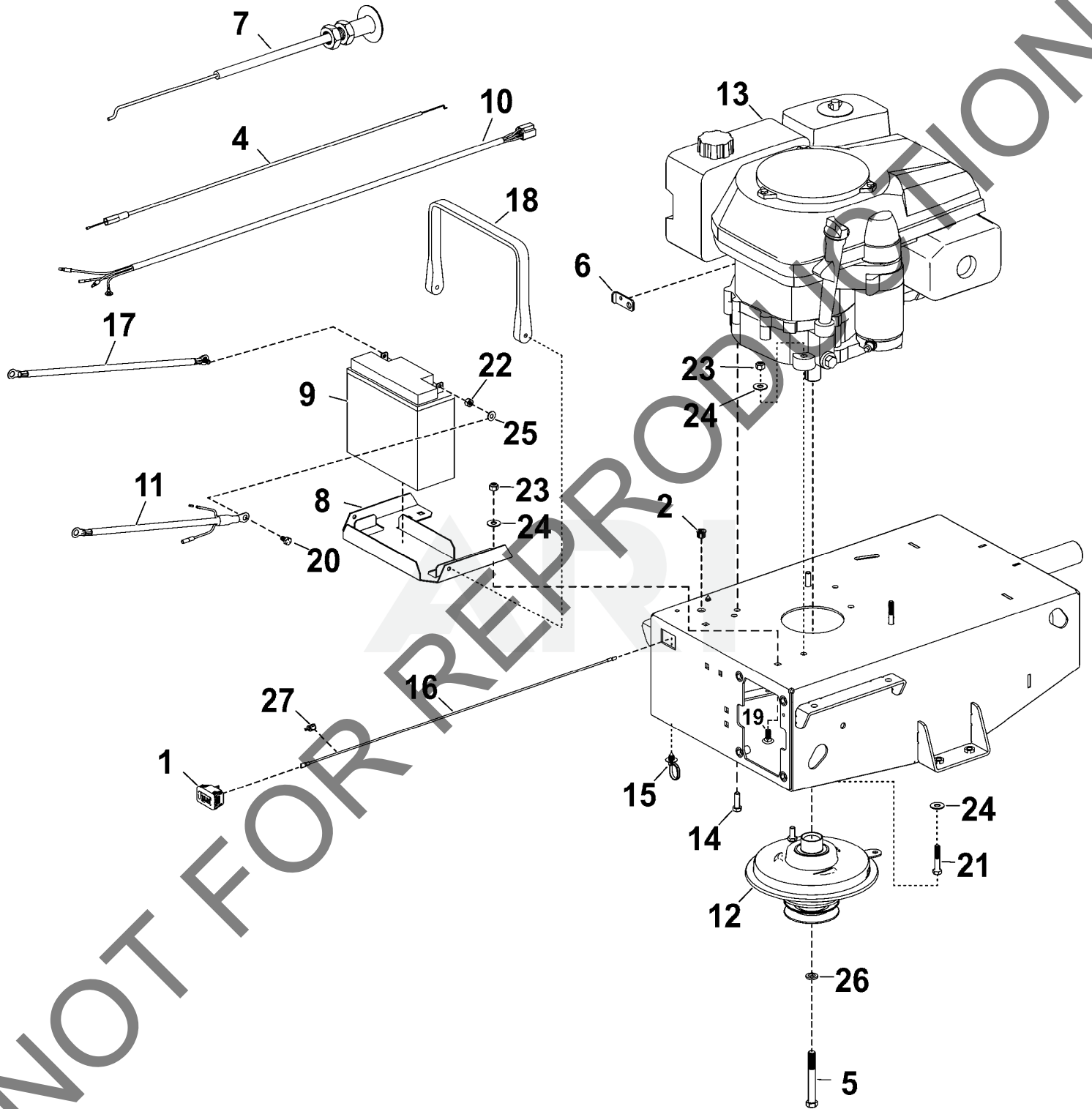
Ref Number	Part Number	Part Description	Context Notes	Quantity
1	440150	SCREWCAP 7/16-20 X 3 1/2 GR. 8 W/ PATCH		1
2	440178	CABLE THROTTLE BLOWER FORCE 18 HP		1
3	501355	CLUTCH NORAM BC2600 DOUBLE BEARING		1
4	520046	13 HP OHV B & S		1
5	8177013	WASHER LOCK 7/16" S/T MED		1
6	890408	SCREW 3/8" X 1 1/2" TCS		4

NOT FOR REPRODUCTION

Engine Assembly

Models:

BC2601HEBH
BC2601HEBHFT



Rendered by ARI Network Services, Inc.

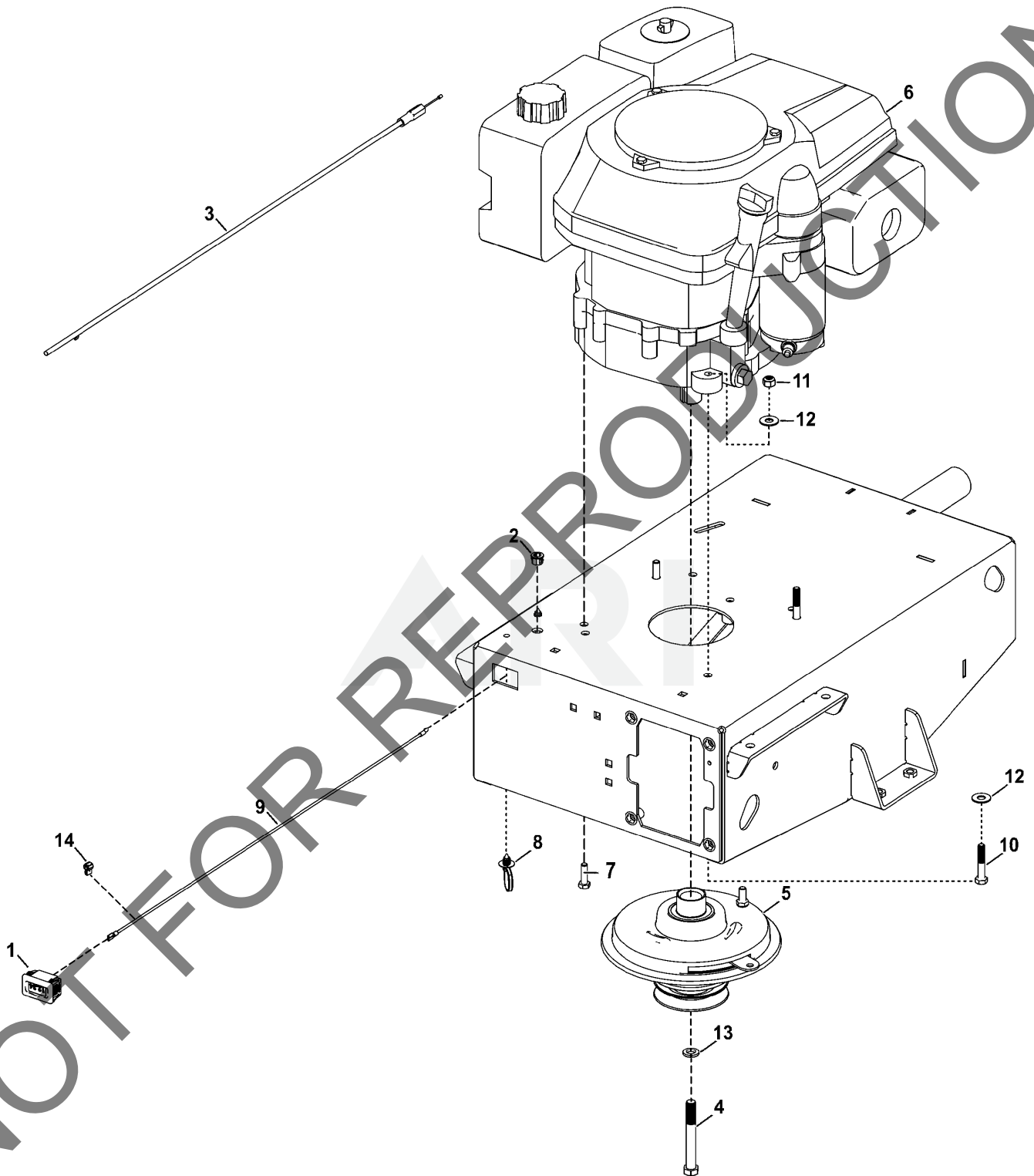
Engine Assembly

Models:

BC2601HEBH
BC2601HEBHFT

Ref Number	Part Number	Part Description	Context Notes	Quantity
1	373305	HOURMETER, INDUCTIVE PANEL MOUNT		1
2	373308	BUSHING, SPLIT 0.350" NYLON BLACK		1
4	440014	CABLE THROTTLE BLOWER		1
5	440150	SCREWCAP 7/16-20 X 3 1/2 GR. 8 W/ PATCH		1
6	500325	PLATE CHOKE MOUNT BC		1
7	500326	CABLE CONTROL CHOKE BC		1
8	500347	BRACKET BATTERY REAR BC		1
9	520200-S	BATTERY 12V W/LABEL		1
10	501219	HARNESS WIRING BC26		1
11	501222	CABLE BATTERY POSITIVE BC26		1
12	501355	CLUTCH NORAM BC2600 DOUBLE BEARING		1
13	501362	ENGINE 13 HP HONDA ELEC GXV390UT1 DEX3		1
14	5106543	SCREWCAP 5/16"-24 X 1" GR 8 ZP w/PATCH		2
15	5108325	CABLE TIE, NYLON, PUSH-IN, 8" OAL		2
16	540356	WIRING HARNESS		1
17	790133	CABLE BATTERY BLACK 10"		1
18	790303	BUNGEE STRAP		1
19	8024039	BOLT CARRIAGE 5/16"-18 X 3/4" ZP		2
20	8059135	SCREW MACHINE #10-24 X 5/8" HWF ZP		2
21	8041031	SCREWCAP 5/16"-18X1 3/4" HCS ZP		2
22	8164005	NUT LOCK LT #10-24 HEX		2
23	8160002	NUT LOCK 5/16"-18 HEX Z/P		4
24	8171003	WASHER 5/16" FLATWASHER Z/P		4
25	8172007	WASHER 1/4"SAE9/32"X5/8"X1/16"		2
26	8177013	WASHER LOCK 7/16" S/T MED		1
27	840215	TERMINAL 18-14 BLUE T-TAP		1

BC2601HHC
BC2601HHFT
BC2601HM
BC2601HMFT



Engine Assembly

Models:

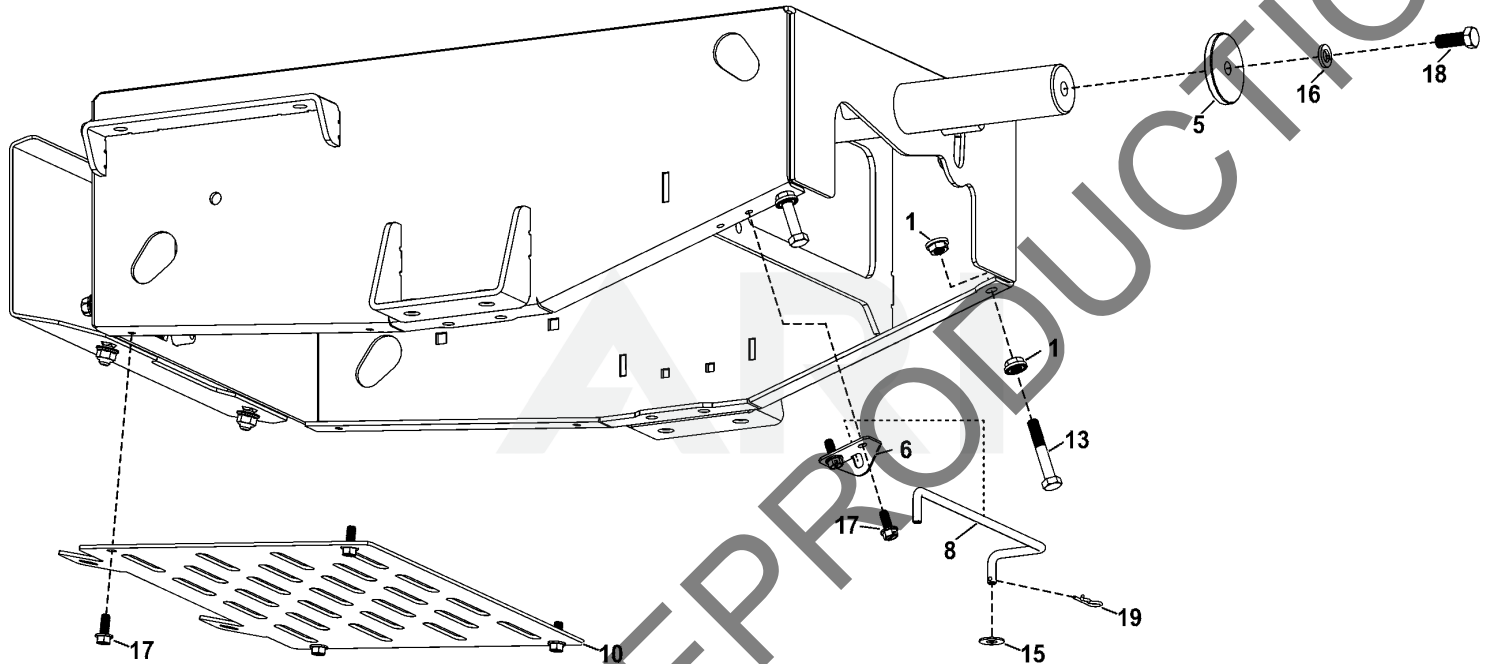
BC2601HHC
 BC2601HHFT
 BC2601HM
 BC2601HMFT

Ref Number	Part Number	Part Description	Context Notes	Quantity
1	373305	HOURMETER, INDUCTIVE PANEL MOUNT		1
2	373308	BUSHING, SPLIT 0.350" NYLON BLACK		1
3	440014	CABLE THROTTLE BLOWER		1
4	440150	SCREWCAP 7/16-20 X 3 1/2 GR. 8 W/ PATCH		1
5	501355	CLUTCH NORAM BC2600 DOUBLE BEARING		1
6	501361	ENGINE 13 HP HONDA PULL GXV390UT1 DAXB		1
7	5106543	SCREWCAP 5/16"-24 X 1" GR 8 ZP w/PATCH		2
8	5108325	CABLE TIE, NYLON, PUSH-IN, 8" OAL		2
9	540356	WIRING HARNESS		1
10	8041031	SCREWCAP 5/16"-18X1 3/4" HCS ZP		2
11	8160002	NUT LOCK 5/16"-18 HEX Z/P		2
12	8171003	WASHER 5/16" FLATWASHER Z/P		4
13	8177013	WASHER LOCK 7/16" S/T MED		1
14	840215	TERMINAL 18-14 BLUE T-TAP		1

Engine Base Assembly - 1

Models:

- BC2600ICH
- BC2600ICHC
- BC2600ICHFT
- BC2601HEBH
- BC2601HEBHFT
- BC2601HH
- BC2601HHC
- BC2601HHFT



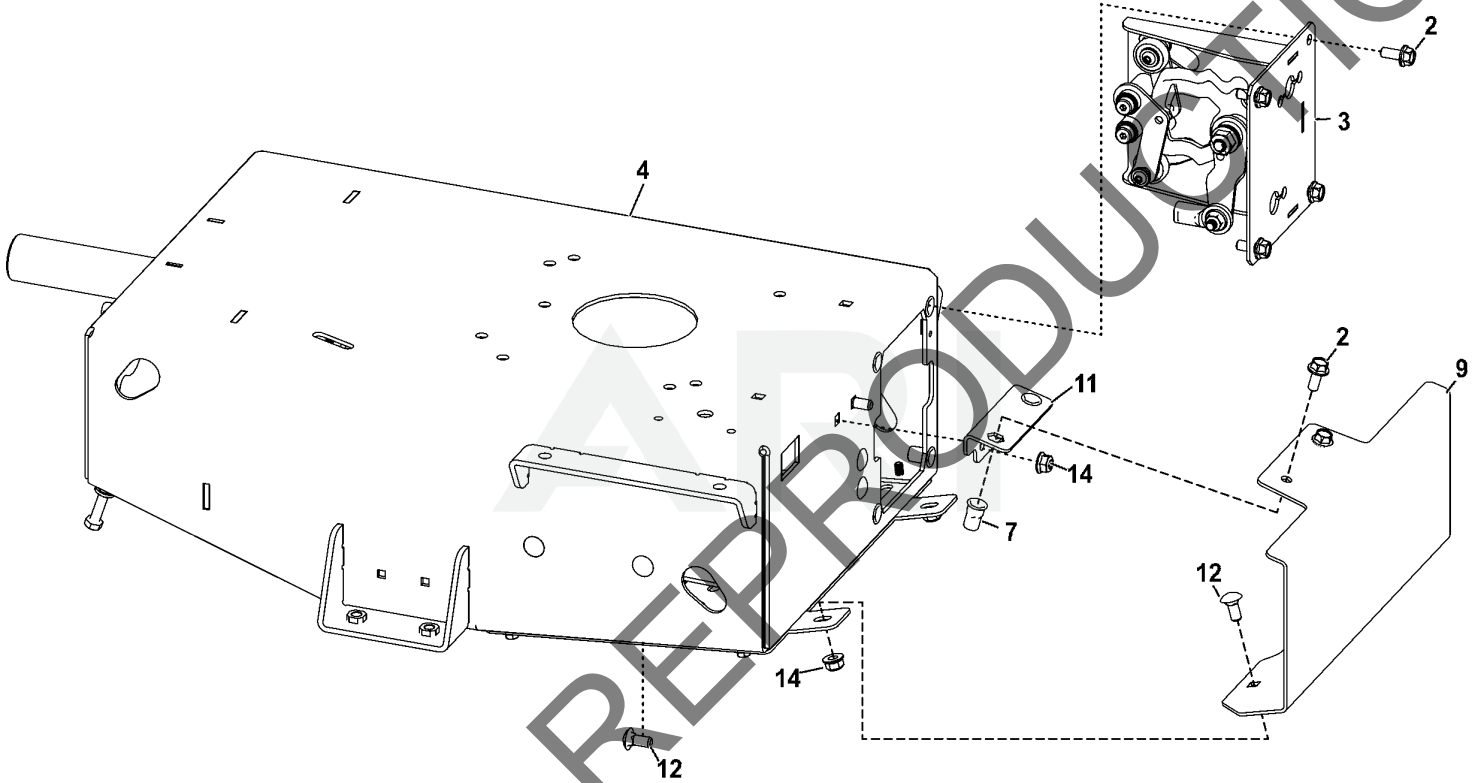
Rendered by ARI Network Services, Inc.

Ref Number	Part Number	Part Description	Context Notes	Quantity
1	350346	NUT FLANGE 5/16"-18 ZP		4
5	501214	WASHER DECK RETAINING		1
6	501272	BRACKET BYPASS ROD		1
8	501352	ROD TRANSAXLE BYPASS BC26		1
10	501379	GUARD, BC LOWER		1
13	8041032	SCREWCAP 5/16"-18X2" HCS ZP		2
15	8172007	WASHER 1/4"SAE9/32"X5/8"X1/16"		1
16	8177012	WASHER LOCK 3/8" S/T MED		1
17	890359	SCREW SELF TAP 1/4"-20 X 5/8" HWH TYPE F		6
18	900154	SCREWCAP 3/8"-24 X 1" HCS GR 8		1
19	900471	PIN HAIR 1/4" Z/P		1

Engine Base Assembly - 2

Models:

- BC2600ICH
- BC2600ICHC
- BC2600ICHFT
- BC2601HEBH
- BC2601HEBHFT
- BC2601HH
- BC2601HHC
- BC2601HHFT



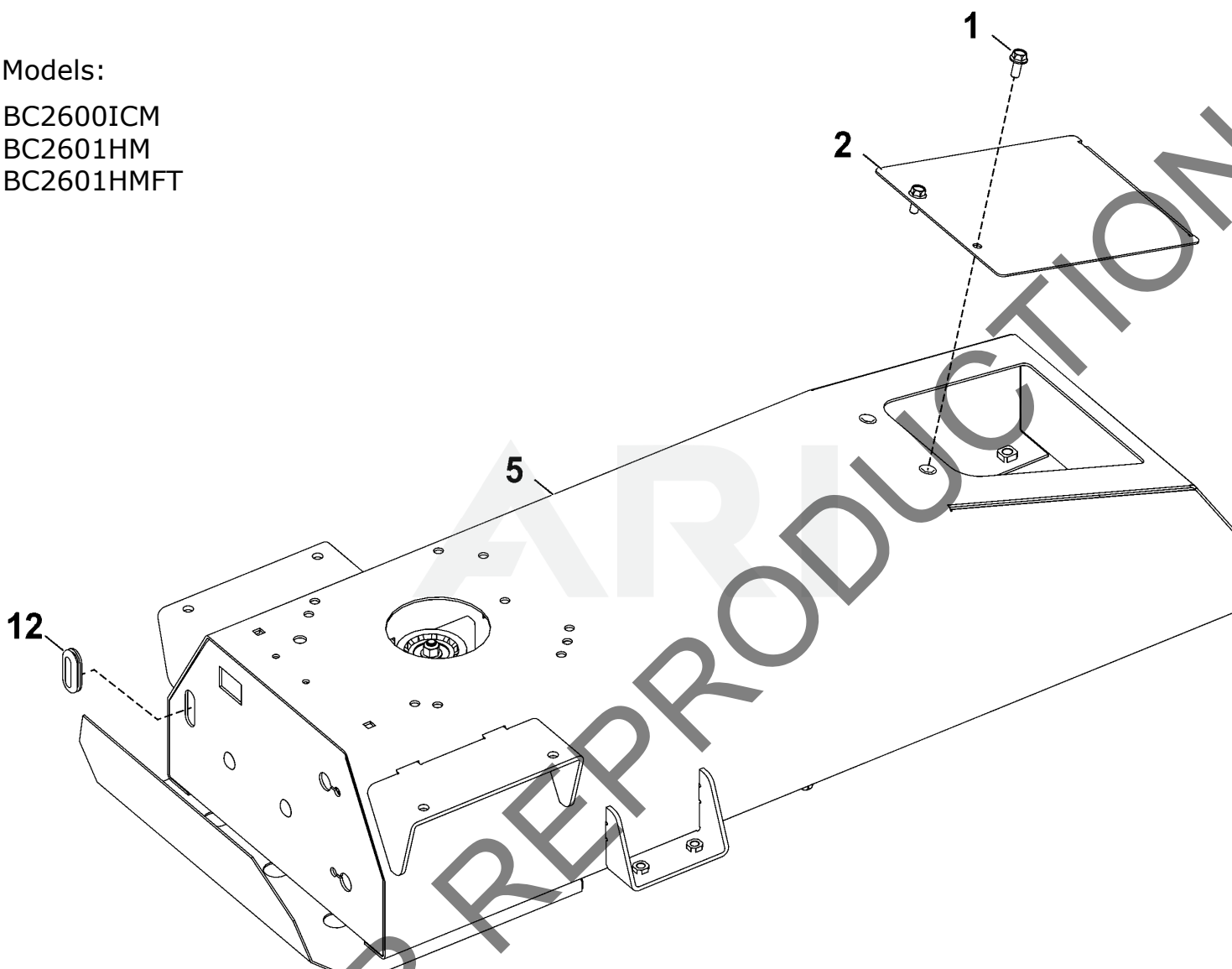
Rendered by ARI Network Services, Inc.

Ref Number	Part Number	Part Description	Context Notes	Quantity
2	351264	SER HEX WASHER FLNG SCREW 5/16"-18 X 3/4"		6
3	501007	SPEED CONTROL SUB ASSY BC2600		1
4	501603	ENGINE BASE WA W/LABELS		1
7	501311	NUT INSERT HEX 5/16-18		2
9	501378	GUARD, BC REAR		1
11	501380	GUARD, BC MOUNT BRKT		1
12	8024039	BOLT CARRIAGE 5/16"-18 X 3/4" ZP		4
14	8165002	NUT-HEX-NYLK, FLG .3125-18 ZP		4

Engine Base Assembly - 1

Models:

BC2600ICM
 BC2601HM
 BC2601HMFT



Rendered by ARI Network Services, Inc.

Ref Number	Part Number	Part Description	Context Notes	Quantity
1	351264	SER HEX WASHER FLNG SCREW 5/16"-18 X 3/4"		2
2	500233	DOOR BASE ENGINE BC		1
5	501120	BASE, FIXED DECK ENGINE WA BC2600		1
12	520092	GROMMET 1.25" HOLE		1

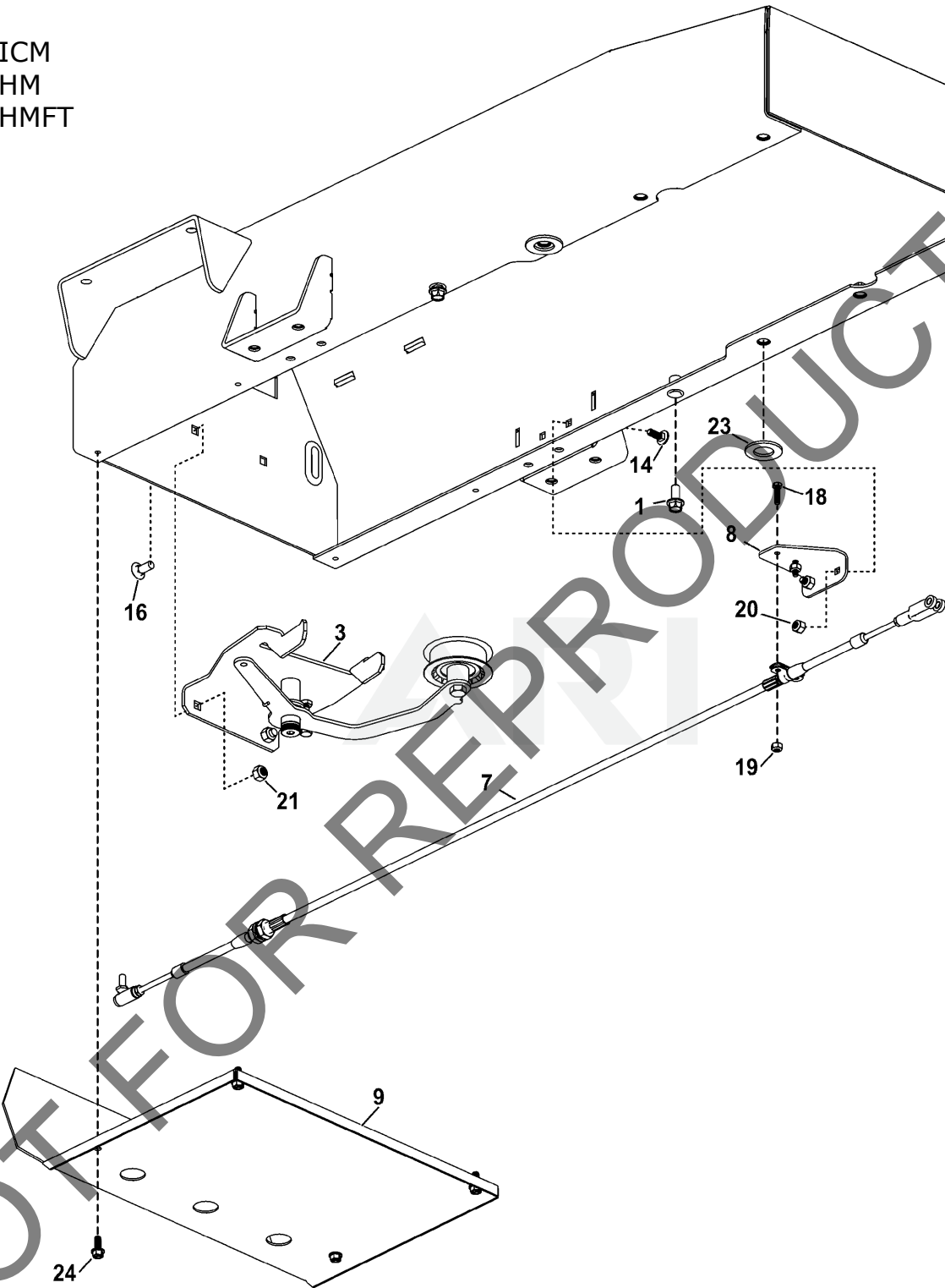
Engine Base Assembly - 2

Models:

BC2600ICM

BC2601HM

BC2601HMFT



Rendered by ARI Network Services, Inc.

Engine Base Assembly - 2

Models:

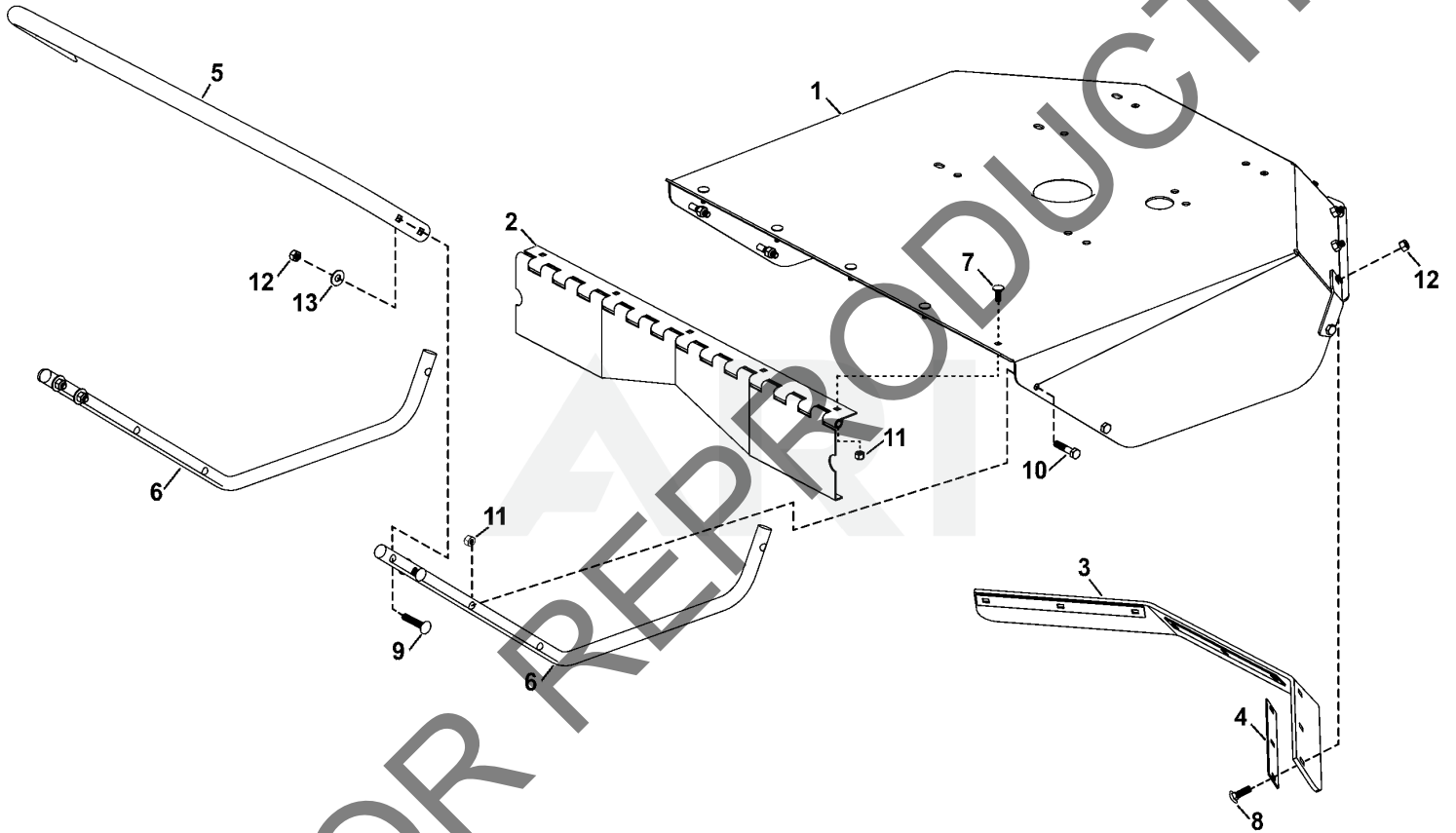
BC2600ICM
BC2601HM
BC2601HMFT

Ref Number	Part Number	Part Description	Context Notes	Quantity
1	351264	SER HEX WASHER FLNG SCREW 5/16"-18 X 3/4"		2
3	501019	MECH IDLER ASSY BC2600		1
7	501254	CABLE, CONTROL SHIFTER BC2600		1
8	501283	BRACKET, SHIFTER LOWER BC2600		1
9	501298	GUARD, REAR BC2600		1
14	8024021	BOLT CARRIAGE 1/4" X 3/4"		2
16	8024039	BOLT CARRIAGE 5/16"-18 X 3/4" ZP		2
18	8059136	SCREW MACHINE #10-18 X 3/4" WF ZP		2
19	8155007	NUT #10-24 HEX NUT		2
20	8160001	NUT LOCK 1/4"-20 HEX Z/P		2
21	8160002	NUT LOCK 5/16"-18 HEX Z/P		2
23	8172015	WASHER 3/4" SAE 13/16"X1.5"X1/8"ZP		2
24	890359	SCREW SELF TAP 1/4"-20 X 5/8" HWH TYPE F		4

Deck Assembly

Models:

- BC2600ICH
- BC2600ICHFT
- BC2600ICM
- BC2601HEBH
- BC2601HEBHFT
- BC2601HH
- BC2601HHFT
- BC2601HM
- BC2601HMFT



Rendered by ARI Network Services, Inc.

NOT FOR REPRODUCTION

Deck Assembly

Models:

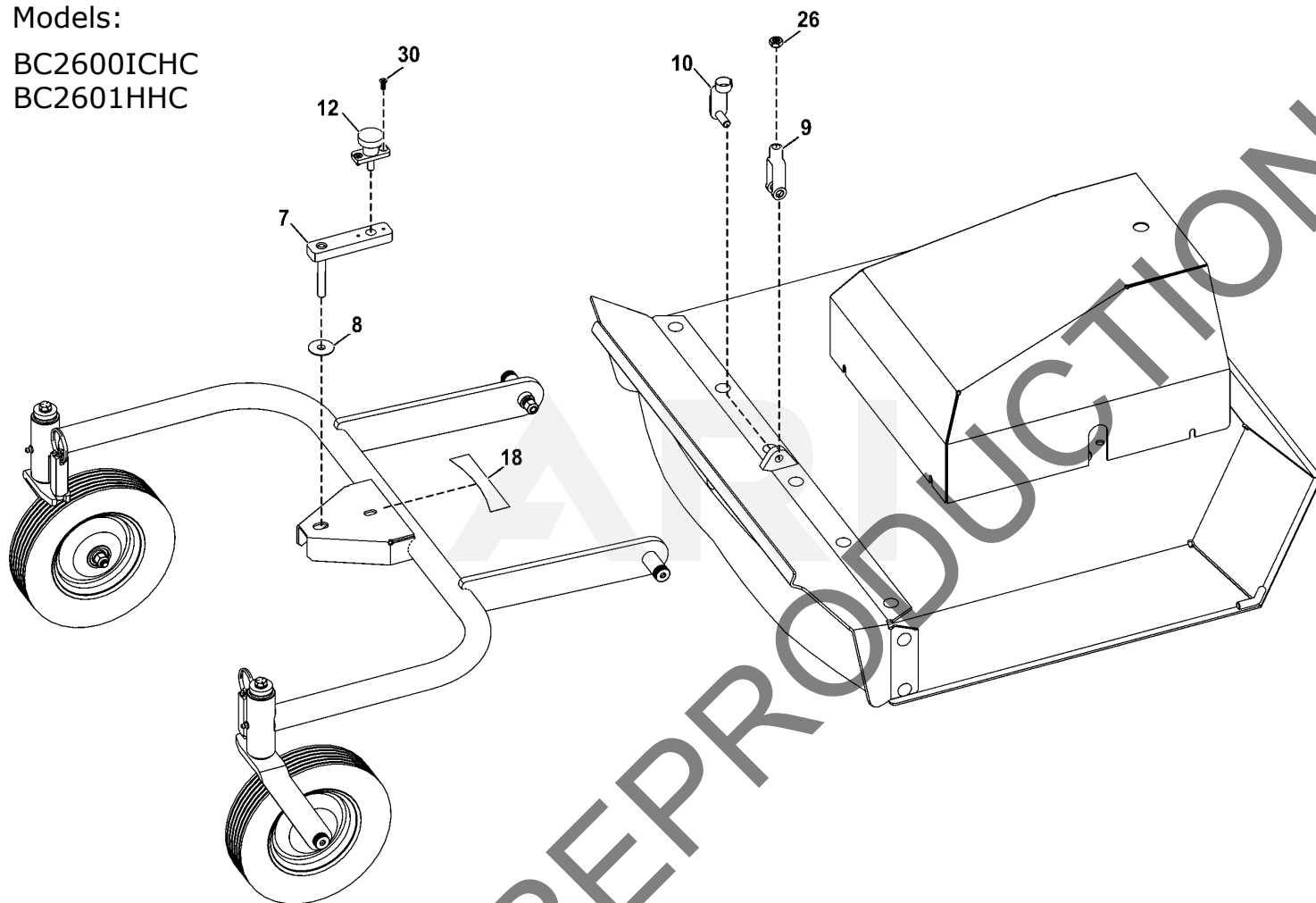
BC2600ICH
 BC2600ICHFT
 BC2600ICM
 BC2601HEBH
 BC2601HEBHFT
 BC2601HH
 BC2601HHFT
 BC2601HM
 BC2601HMFT

Ref Number	Part Number	Part Description	Context Notes	Quantity
1	501102-S	DECK WA W/LABELS BC26 MECH		1
2	501211	HINGE DEFLECTOR BC26		1
3	501231	DEFLECTOR RUBBER		1
4	501239	PLATE CLAMP SKIRTING BC26		3
5	501403	BAR GUARD BC26		1
6	501407	SKID BC26		2
7	8024021	BOLT CARRIAGE 1/4" X 3/4"		5
8	8024040	BOLT CARRIAGE 5/16"-18 X 1" ZP		9
9	8024043	BOLT CARRIAGE 5/16"-18 X 1 3/4" ZP		4
10	8041030	SCREWCAP 5/16"-18X1 1/2" HCS ZP		6
11	8160001	NUT LOCK 1/4"-20 HEX Z/P		5
12	8160002	NUT LOCK 5/16"-18 HEX Z/P		19
13	8171003	WASHER 5/16" FLATWASHER Z/P		16

Deck Assembly - 1

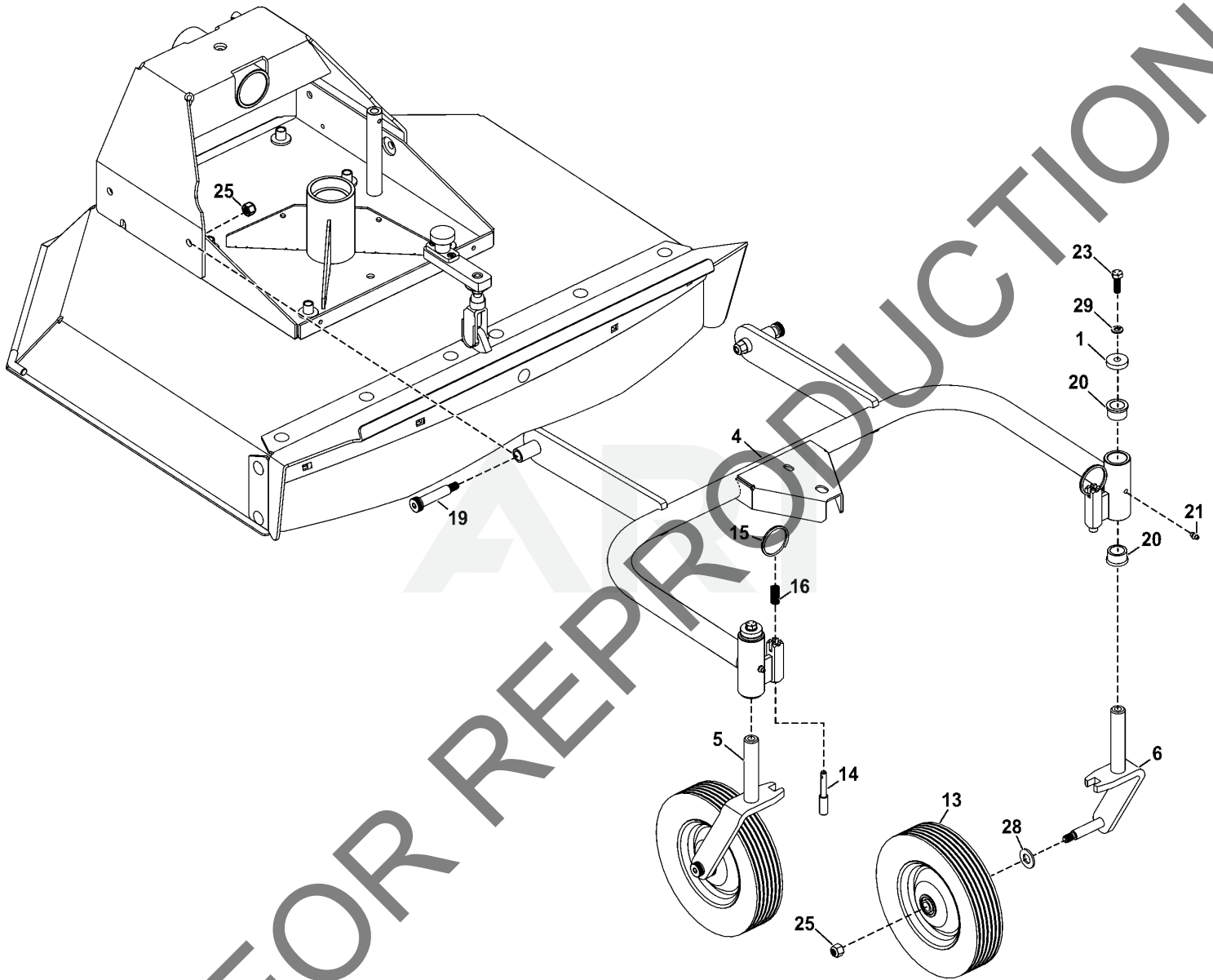
Models:

BC2600ICHC
BC2601HHC



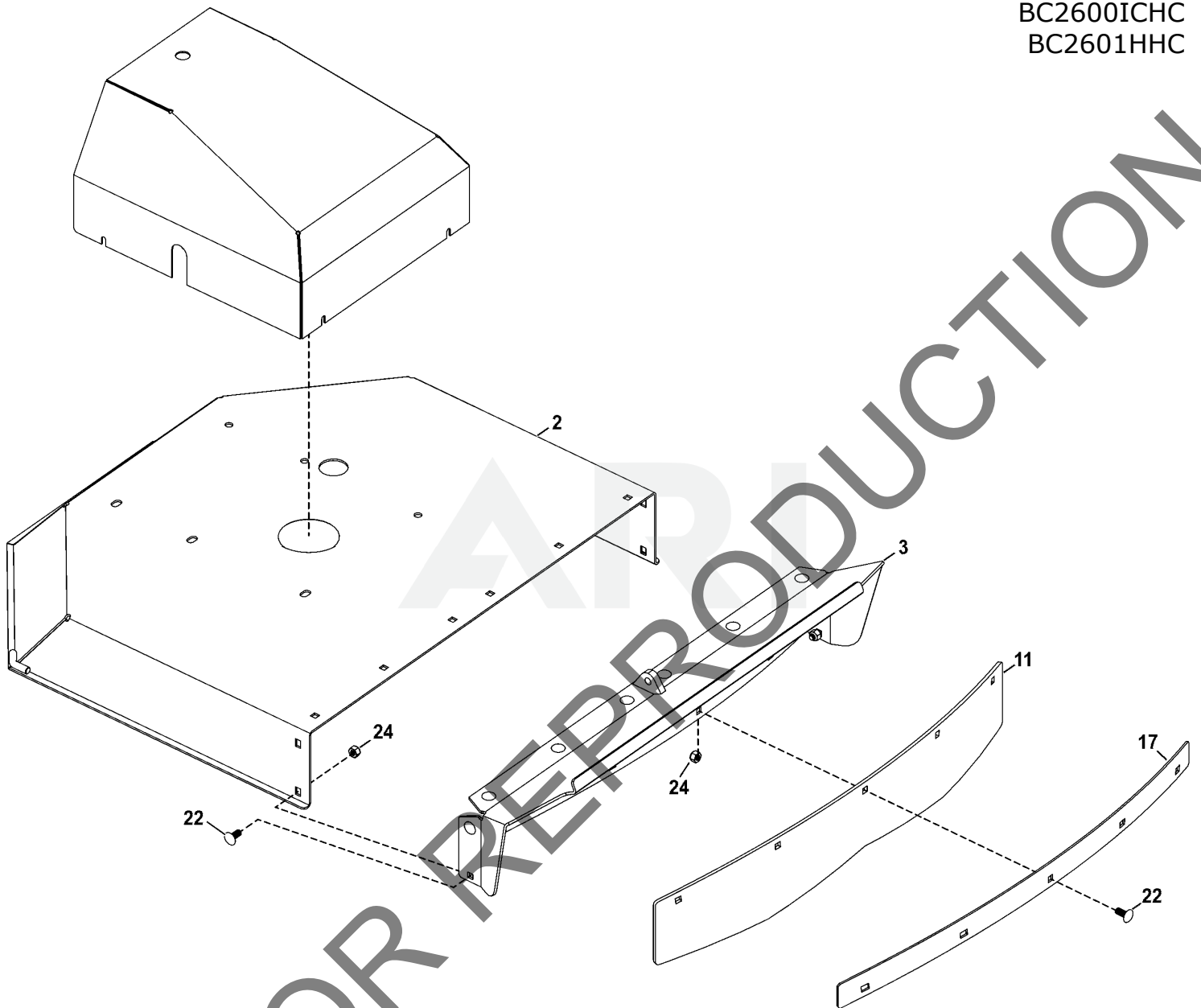
Rendered by ARI Network Services, Inc.

Ref Number	Part Number	Part Description	Context Notes	Quantity
7	501128	HEIGHT ADJUST HANDLE ASSY		1
8	501316	BUSHING, FLANGED 1.250" X 0.380" I.D.		1
9	501317	YOKE, FEMALE STEEL 3/8"-24 RH X 2.50		1
10	501318	SPRING PIN, CLEVIS		1
12	501332	HANDLE SPRING LOADED		1
18	501512	LABEL, HEIGHT ADJUST EURO BC2600		1
26	8161022	NUT LOCK 3/8-24 ZP THN HT		1
30	830514	SCREW MACHINE FLAT HD PHIL #10-24		2



Rendered by ARI Network Services, Inc.

Ref Number	Part Number	Part Description	Context Notes	Quantity
1	441150	WASHER 1.125 OD X 0.344 ID X .25 THK ZP		2
4	501125	CASTER FRAME WA		1
5	501126	CASTER, RIGHT SIDE WA		1
6	501127	CASTER, LEFT SIDE WA		1
13	501333	TIRE WHEEL ASSY		2
14	501335	7/16" DIA SWIVEL LOCK PIN, PLT		2
15	501336	KEY, RING 1-5/8 OD		2
16	501337	SWIVEL LOCK SPRING		2
19	520031	BOLT SHOULDER 1/2" X 2"		2
20	520184	BUSHING FLANGE 1" OD 3/4" ID		4
21	610363	ZERK FITTING GREASE		2
23	8041028	SCREWCAP 5/16"-18 X 1" HCS ZP		2
25	8160003	NUT LOCK 3/8"-16 HEX		4
28	8172011	WASHER 1/2" SAE Z/P		2
29	8177011	WASHER LOCK 5/16 ST MED		2



Rendered by ARI Network Services, Inc.

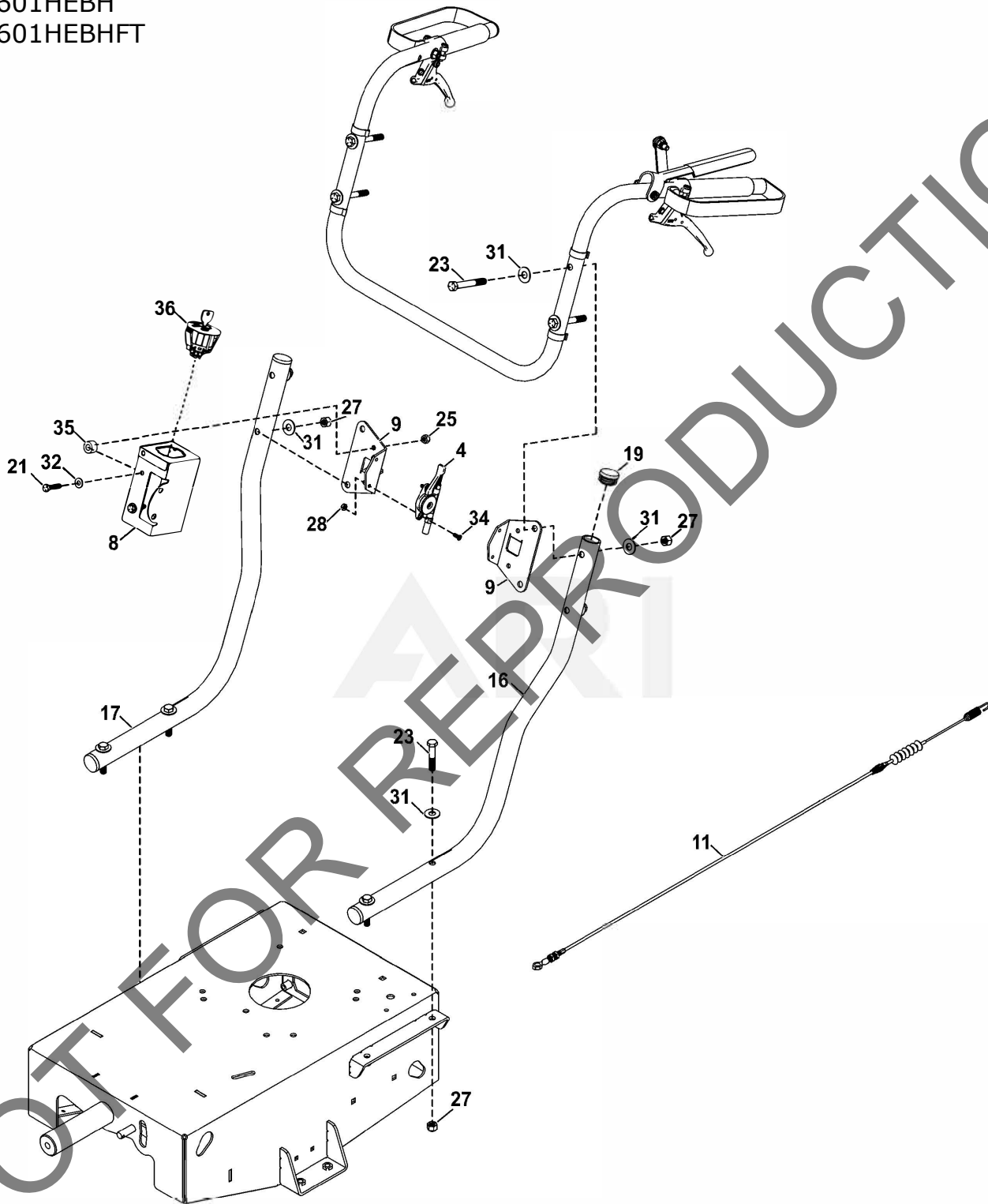
Ref Number	Part Number	Part Description	Context Notes	Quantity
2	501121	DECK, EURO BC2600 WA		1
3	501123	DECK, INTAKE WA EURO BC2600		1
11	501320	RUBBER DEFLECTOR, FRONT		1
17	501411-P	FORMED FRONT DEFLECTOR PLATE PAINTED		1
22	8024039	BOLT CARRIAGE 5/16"-18 X 3/4" ZP		15
24	8160002	NUT LOCK 5/16"-18 HEX Z/P		15

Handle Assembly - 1

Models:

BC2601HEBH

BC2601HEBHFT



Rendered by ARI Network Services, Inc.

Handle Assembly - 1

Models:

BC2601HEBH

BC2601HEBHFT

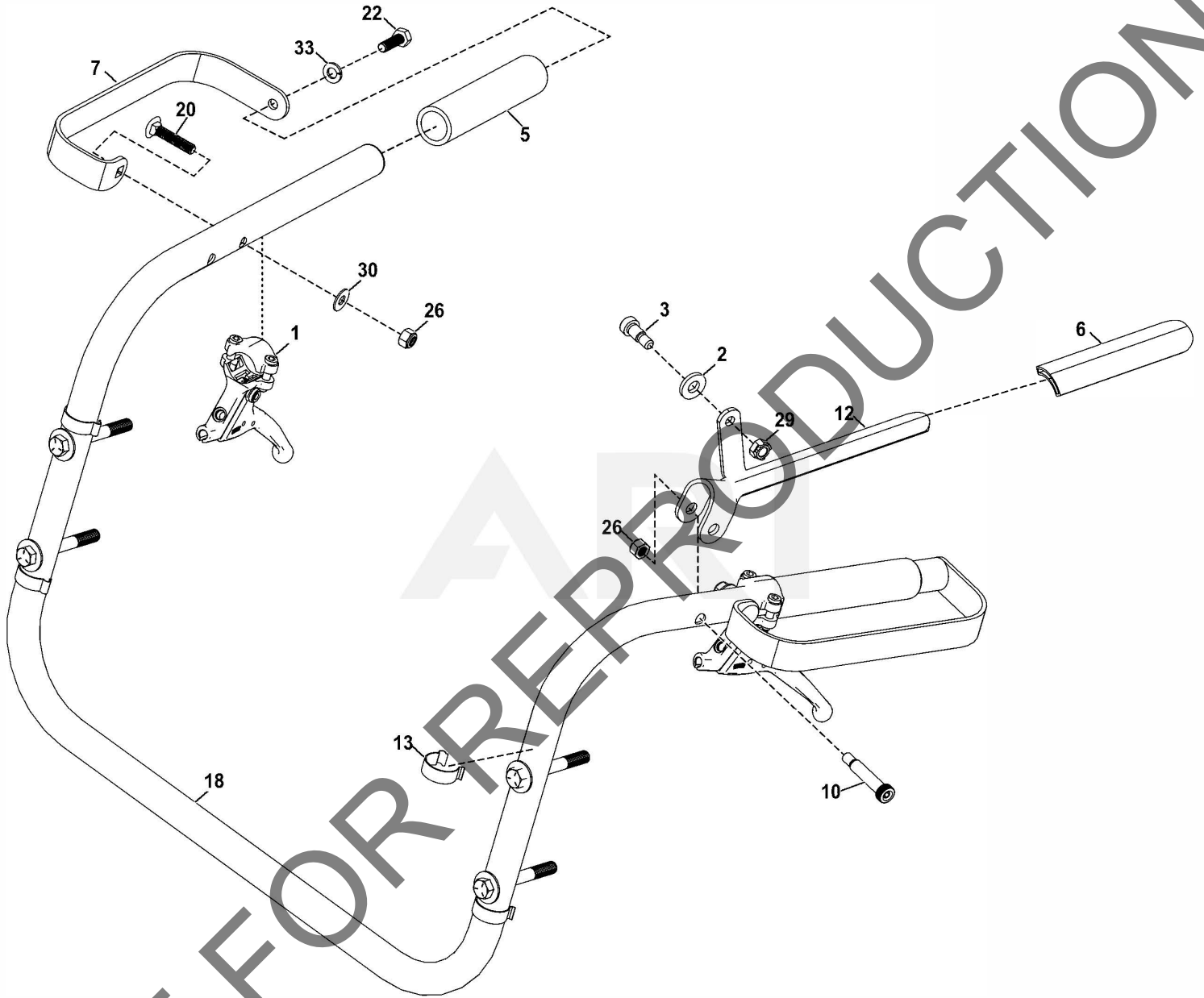
Ref Number	Part Number	Part Description	Context Notes	Quantity
4	440013	CONTROL THROTTLE BLOWER		1
8	501250	BOX THROTTLE CONTROL		1
9	501251	BRACKET THROTTLE BC26		2
11	501279	CABLE CLUTCH		1
16	501400-P	HANDLE, LOWER LEFT PAINTED		1
17	501401	HANDLE LOWER RIGHT		1
19	5108817	PLUG TUBE INSERT 1.25" O.D.		4
21	8041007	SCREWCAP 1/4"-20X1 1/4" HCS ZP		2
23	8041058	SCREWCAP 3/8"-16X3" HCS ZP		4
25	8160001	NUT LOCK 1/4"-20 HEX Z/P		2
27	8160003	NUT LOCK 3/8"-16 HEX		12
28	8164005	NUT LOCK LT #10-24 HEX		2
31	8171004	WASHER 3/8"FC7/16"X1"X5/64"		16
32	8172007	WASHER 1/4"SAE9/32"X5/8"X1/16"		2
34	830514	SCREW MACHINE FLAT HD PHIL #10-24		2
35	830526	TUBE PIVOT IDLER		2
36	501286	SWITCH IGNITION		1

Handle Assembly - 1

Models:

BC2601HEBH

BC2601HEBHFT



Rendered by ARI Network Services, Inc.

Handle Assembly - 1

Models:

BC2601HEBH

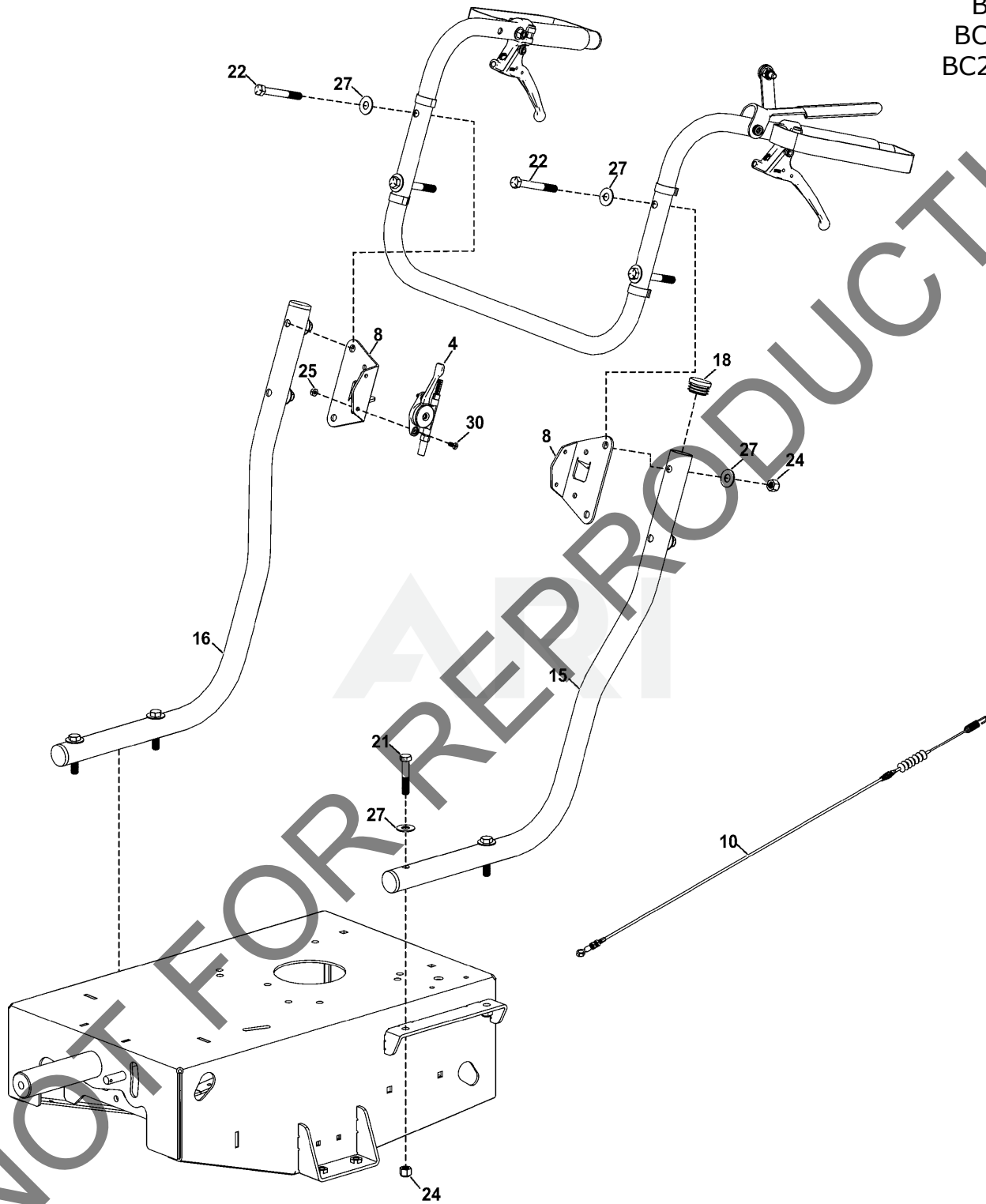
BC2601HEBHFT

Ref Number	Part Number	Part Description	Context Notes	Quantity
1	351209	CONTROL MAGURA		2
2	382202	WSHR-STL, FLT, .406" X .875" X .125" ZP		1
3	382263	BLT-SLDR,SH.375"X.50",.313"-18X.50"G8ZP		1
5	500267	GRIP HANDLE		2
6	500379	GRIP LEVER 0.125" X 1" X 5" ORANGE		1
7	501215	GUARD HAND BC2600		2
10	501313	BOLT SHOULDER 3/8 X 1 1/2"		1
12	501375	LEVER, CLUTCH, RH SIDE MOUNT		1
13	501376	CONDUIT CLAMP, Ø1.0" TUBE		4
18	501402	HANDLE UPPER BC2600		1
20	8024042	BOLT CARRIAGE 5/16"-18X1 1/2" ZP		2
22	8041028	SCREWCAP 5/16"-18 X 1" HCS ZP		2
26	8160002	NUT LOCK 5/16"-18 HEX Z/P		3
29	8165002	NUT-HEX-NYLK, FLG .3125-18 ZP		1
30	8171002	WASHER 1/4" FLAT Z/P		2
33	8177011	WASHER LOCK 5/16 ST MED		2

Handle Assembly - 1

Models:

- BC2600ICH
- BC2600ICHC
- BC2600ICHFT
- BC2601HH
- BC2601HHC
- BC2601HHFT



Rendered by ARI Network Services, Inc.

Handle Assembly - 1

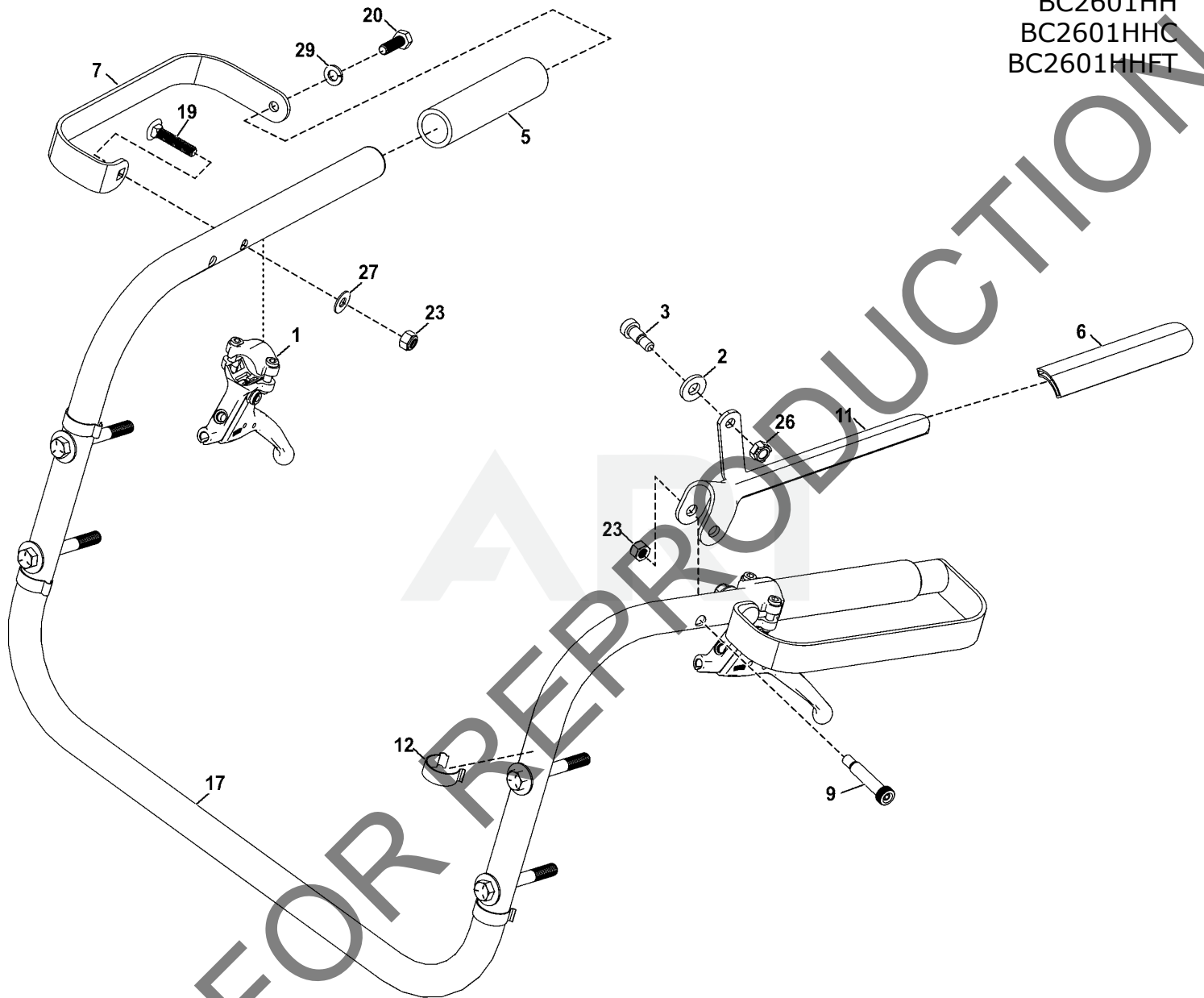
Models:
 BC2600ICH
 BC2600ICHC
 BC2600ICHFT
 BC2601HH
 BC2601HHC
 BC2601HHFT

Ref Number	Part Number	Part Description	Context Notes	Quantity
4	440013	CONTROL THROTTLE BLOWER		1
8	501251	BRACKET THROTTLE BC26		2
10	501374	CABLE, Ø0.078", CLUTCH, 33.5"		1
15	501400-P	HANDLE, LOWER LEFT PAINTED		1
16	501401	HANDLE LOWER RIGHT		1
18	5108817	PLUG TUBE INSERT 1.25" O.D.		4
21	8041054	SCREWCAP 3/8"-16X2" HCS ZP		4
22	8041058	SCREWCAP 3/8"-16X3" HCS ZP		4
24	8160003	NUT LOCK 3/8"-16 HEX		12
25	8164005	NUT LOCK LT #10-24 HEX		2
27	8171004	WASHER 3/8"FC7/16"X1"X5/64"		12
30	830514	SCREW MACHINE FLAT HD PHIL #10-24		2

NOT FOR REPRODUCTION

Handle Assembly - 2

Models:
BC2600ICH
BC2600ICHC
BC2600ICHFT
BC2601HH
BC2601HHC
BC2601HHFT



Rendered by ARI Network Services, Inc.

Handle Assembly - 2

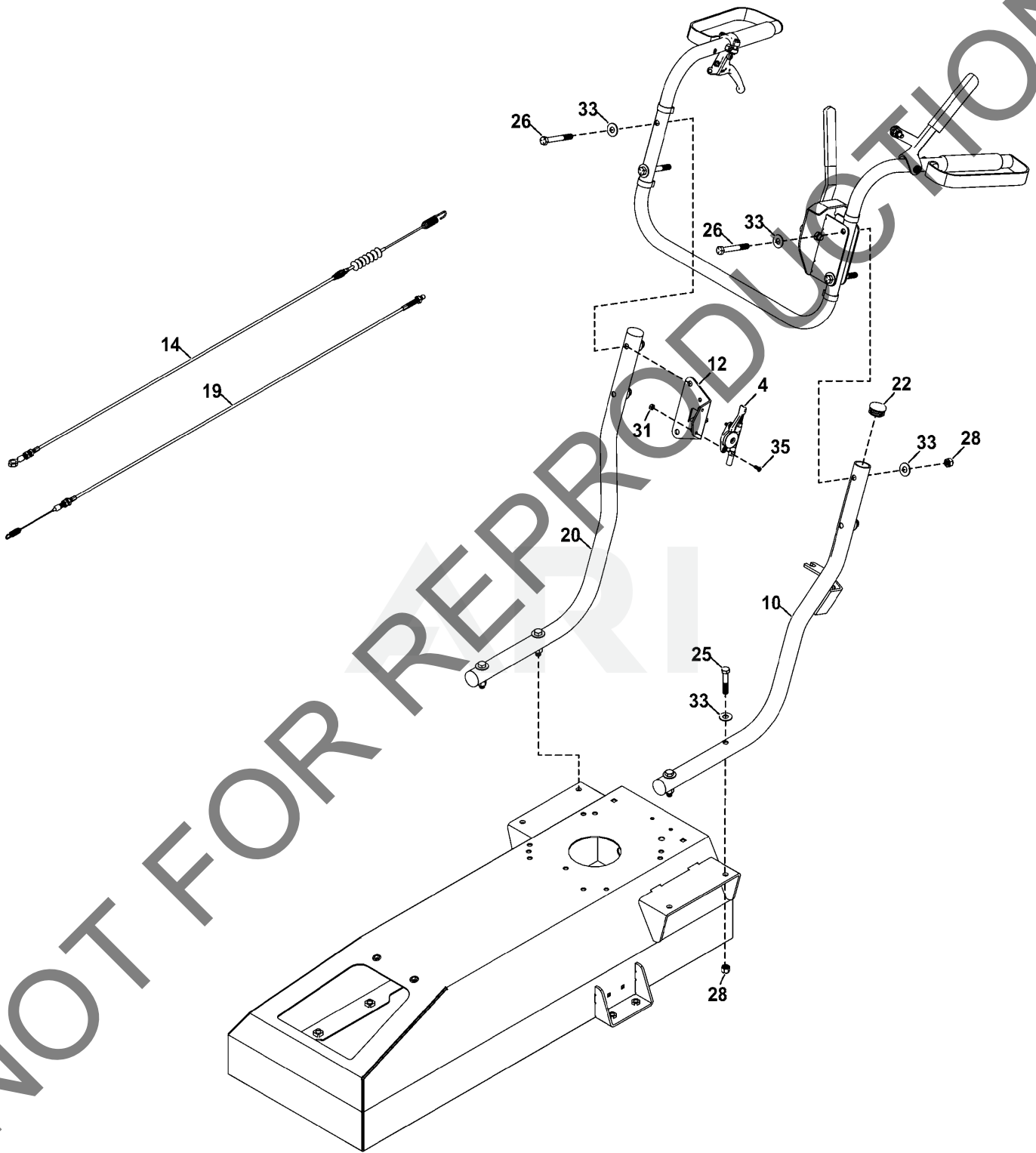
Models:
 BC2600ICH
 BC2600ICHC
 BC2600ICHFT
 BC2601HH
 BC2601HHC
 BC2601HHFT

Ref Number	Part Number	Part Description	Context Notes	Quantity
1	351209	CONTROL MAGURA		2
2	382202	WSHR-STL, FLT, .406" X .875" X .125" ZP		1
3	382263	BLT-SLDR, SH.375"X.50", .313"-18X.50"G8ZP		1
5	500267	GRIP HANDLE		2
6	500379	GRIP LEVER 0.125" X 1" X 5" ORANGE		1
7	501215	GUARD HAND BC2600		2
9	501313	BOLT SHOULDER 3/8 X 1 1/2"		1
11	501375	LEVER, CLUTCH, RH SIDE MOUNT		1
12	501376	CONDUIT CLAMP, Ø1.0" TUBE		4
17	501402	HANDLE UPPER BC2600		1
19	8024042	BOLT CARRIAGE 5/16"-18X1 1/2" ZP		2
20	8041028	SCREWCAP 5/16"-18 X 1" HCS ZP		2
23	8160002	NUT LOCK 5/16"-18 HEX Z/P		3
26	8165002	NUT-HEX-NYLK, FLG .3125-18 ZP		1
27	8171002	WASHER 1/4" FLAT Z/P		2
29	8177011	WASHER LOCK 5/16 ST MED		2

Handle Assembly - 1

Models:

BC2600ICM
BC2601HM
BC2601HMFT



Rendered by ARI Network Services, Inc.

Handle Assembly - 1

Models:

BC2600ICM
BC2601HM
BC2601HMFT

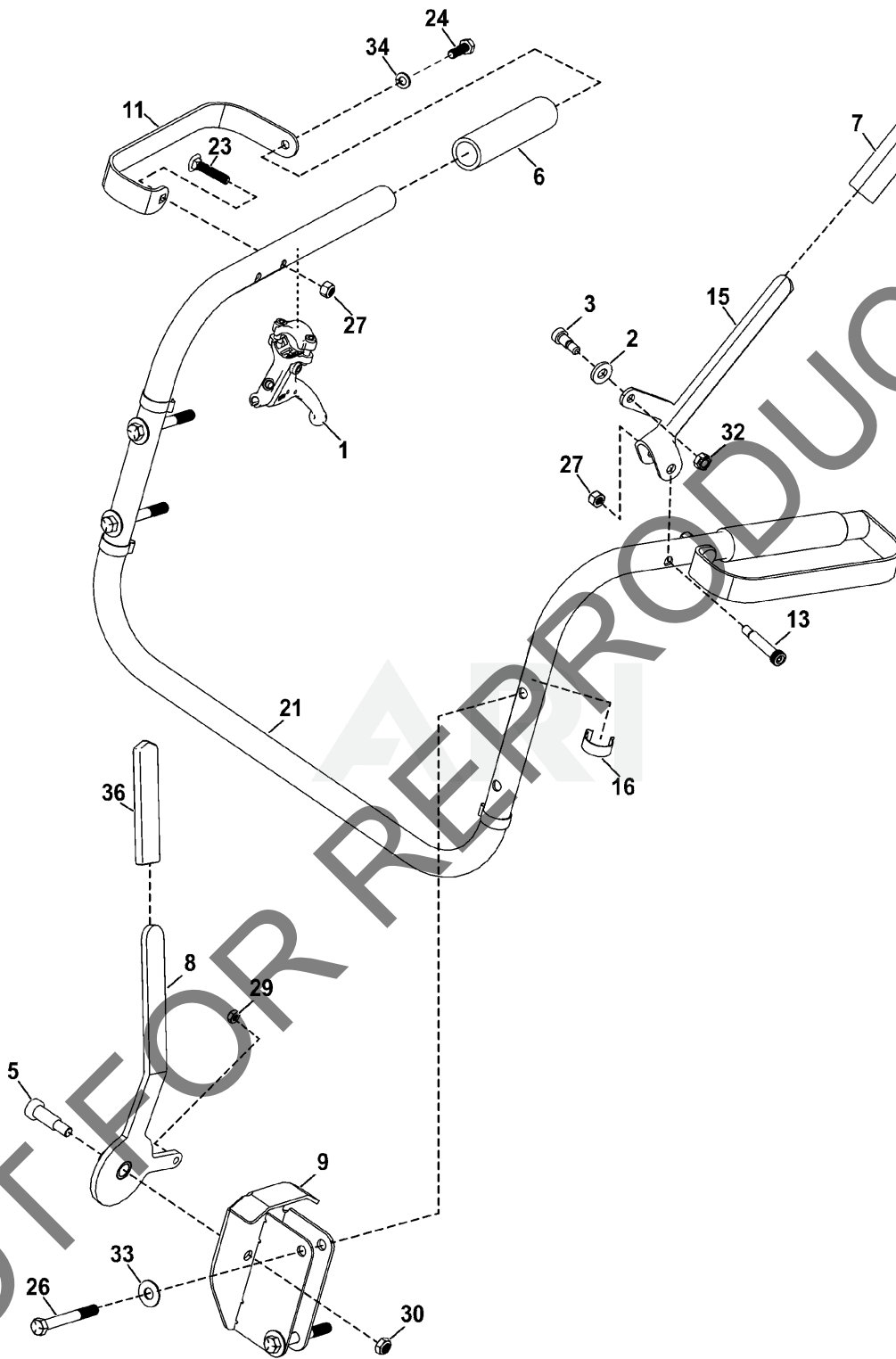
Ref Number	Part Number	Part Description	Context Notes	Quantity
4	440013	CONTROL THROTTLE BLOWER	1	
10	501115	LOWER MECH BC HANDLE W/BRACKET WA	1	
12	501251	BRACKET THROTTLE BC26	1	
14	501374	CABLE, Ø0.078", CLUTCH, 33.5"	1	
19	501383	CABLE Ø0.059", SPD CTRL, MECH, 43"	1	
20	501401	HANDLE LOWER RIGHT	1	
22	5108817	PLUG TUBE INSERT 1.25" O.D.	4	
25	8041054	SCREWCAP 3/8"-16X2" HCS ZP	4	
26	8041058	SCREWCAP 3/8"-16X3" HCS ZP	4	
28	8160003	NUT LOCK 3/8"-16 HEX	8	
31	8164005	NUT LOCK LT #10-24 HEX	2	
33	8171004	WASHER 3/8"FC7/16"X1"X5/64"	12	
35	830514	SCREW MACHINE FLAT HD PHIL #10-24	2	

NOT FOR PRODUCTION

Handle Assembly - 2

Models:

BC2600ICM
BC2601HM
BC2601HMFT



Rendered by ARI Network Services, Inc.

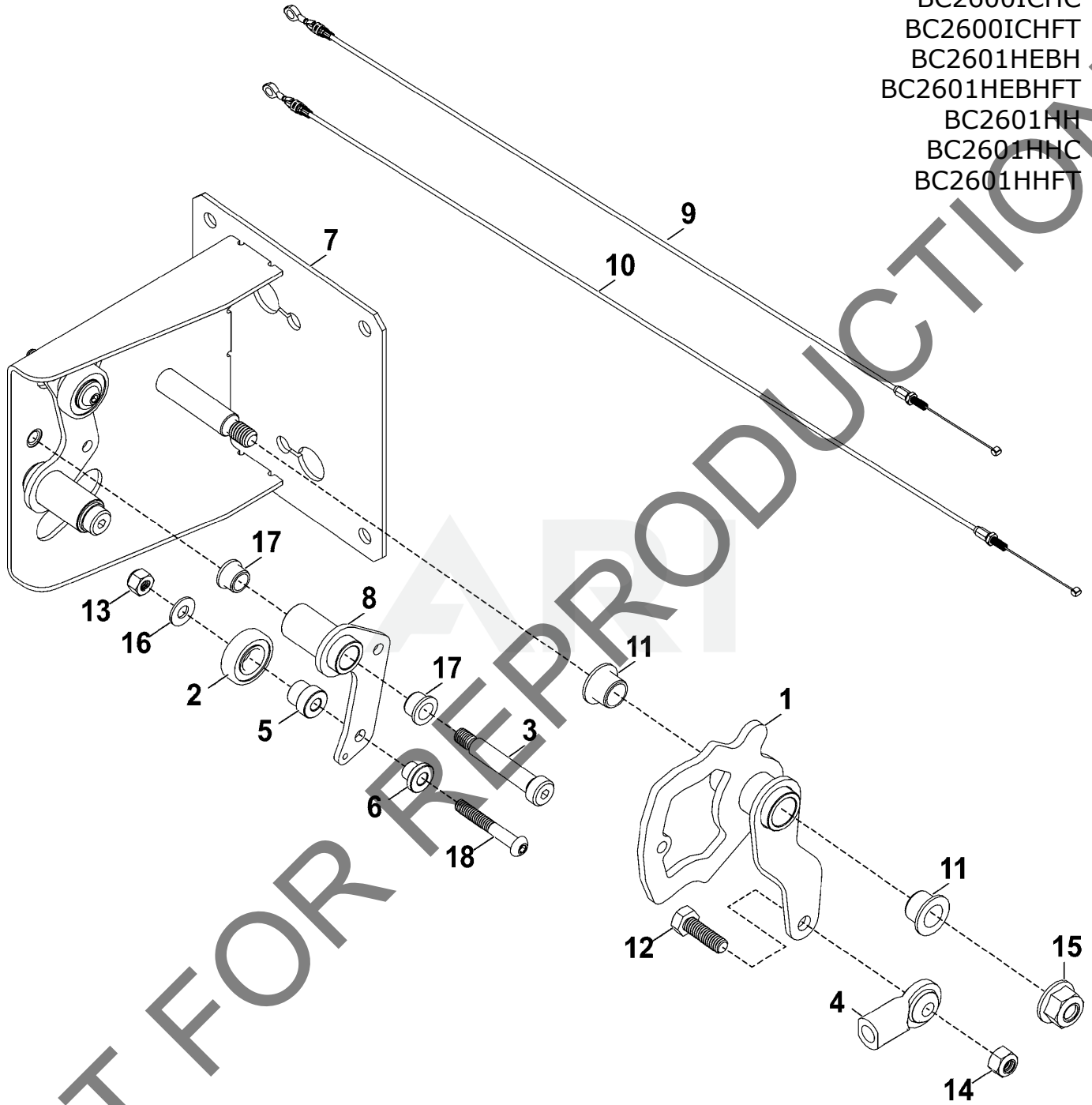
BC2600ICM
BC2601HM
BC2601HMFT

Ref Number	Part Number	Part Description	Context Notes	Quantity
1	351209	CONTROL MAGURA		1
2	382202	WSHR-STL, FLT, .406" X .875" X .125" ZP		1
3	382263	BLT-SLDR,SH.375"X.50",.313"-18X.50"G8ZP		2
5	500114	BOLT SHOULDER 1/2" X 1"		1
6	500267	GRIP HANDLE		2
7	500379	GRIP LEVER 0.125" X 1" X 5" ORANGE		1
8	501107	LEVER, SHIFTER WA BC2600		1
9	501108	BRACKET, SHIFTER WA BC2600		1
11	501215	GUARD HAND BC2600		2
13	501313	BOLT SHOULDER 3/8 X 1 1/2"		1
15	501375	LEVER, CLUTCH, RH SIDE MOUNT		1
16	501376	CONDUIT CLAMP, Ø1.0" TUBE		2
21	501402	HANDLE UPPER BC2600		1
23	8024042	BOLT CARRIAGE 5/16"-18X1 1/2" ZP		2
24	8041028	SCREWCAP 5/16"-18 X 1" HCS ZP		2
26	8041058	SCREWCAP 3/8"-16X3" HCS ZP		4
27	8160002	NUT LOCK 5/16"-18 HEX Z/P		3
29	8161020	NUT LOCK 1/4-28 TH ZP		1
30	8161042	NUT LOCK 3/8-16 LT WT THIN ZP		1
32	8165002	NUT-HEX-NYLK, FLG .3125-18 ZP		1
33	8171004	WASHER 3/8"FC7/16"X1"X5/64"		12
34	8177011	WASHER LOCK 5/16 ST MED		2
36	840191	GRIP LEVER 1" X 4.25"		1

Speed Control Assembly

Models:

- BC2600ICH
- BC2600ICHC
- BC2600ICHFT
- BC2601HEBH
- BC2601HEBHFT
- BC2601HH
- BC2601HHC
- BC2601HHFT



Rendered by ARI Network Services, Inc.

Speed Control Assembly

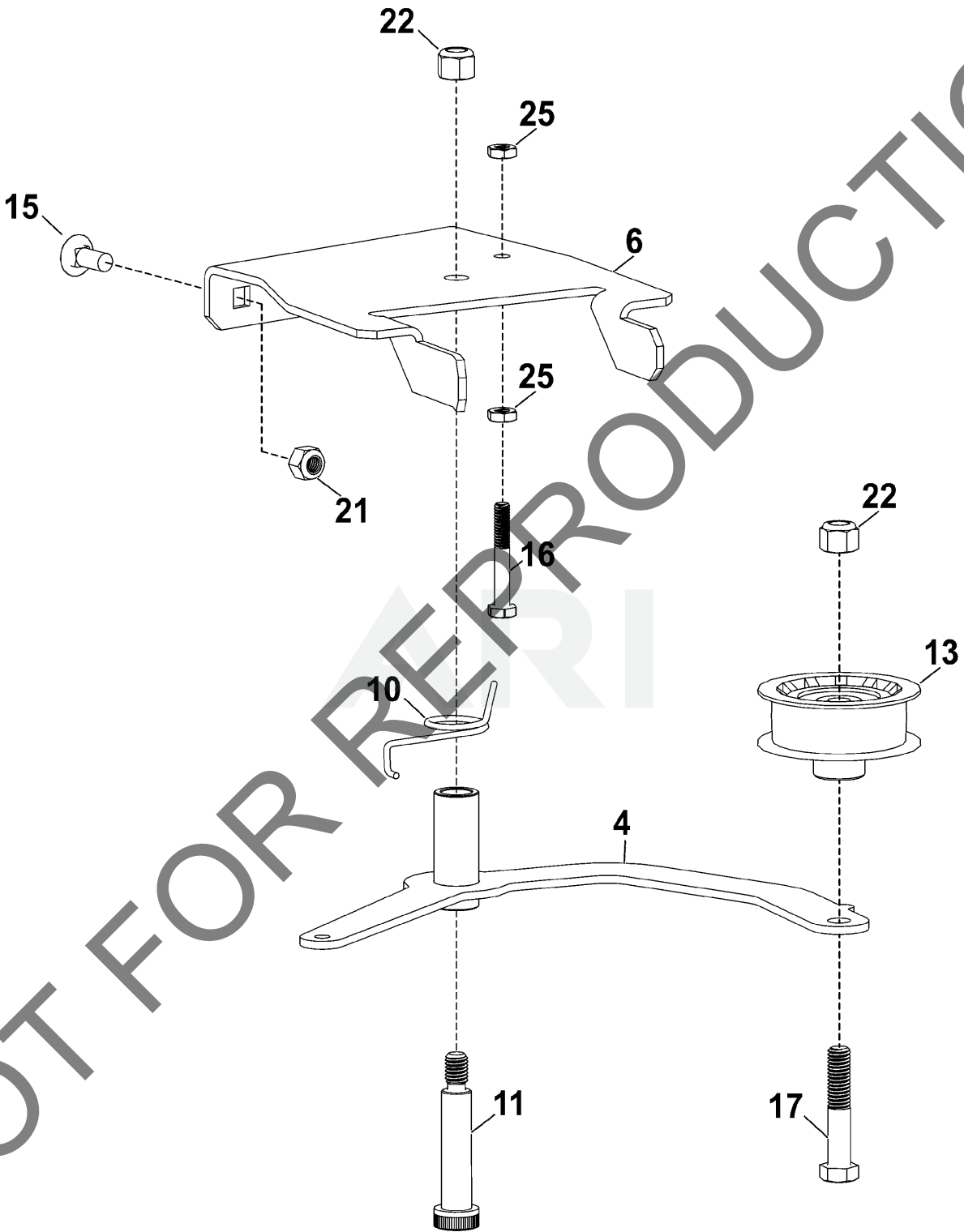
Models:

BC2600ICH
 BC2600ICHC
 BC2600ICHFT
 BC2601HEBH
 BC2601HEBHFT
 BC2601HH
 BC2601HHC
 BC2601HHFT

Ref Number	Part Number	Part Description	Context Notes	Quantity
1	351129	WA, SPEED CONTROL CAM, LEFT		1
2	351257	BEARING 1/2" ID X 1.125 OD		2
3	351258	BOLT SHOULDER 3/8" X 1 3/4"		2
4	351278	SPHERICAL ROD END MSF-5		1
5	351347	SPACER. SPEED CONTROL STEPPED PM		2
6	351348	SPACER, SPEED CONTROL EYELET PM		2
7	373113	BRACKET, SPEED CONTROL WA		1
8	501114	BELLCRANK SPEED CONTROL BC26		2
9	501372	CABLE, Ø0.078", SPD CTRL, 35"		1
10	501373	CABLE, Ø0.078", SPD CTRL, 43"		1
11	5108816	BSHG-FL .500"X.625"X.500" 875"X.062" IR		2
12	8041028	SCREWCAP 5/16"-18 X 1" HCS ZP		1
13	8160001	NUT LOCK 1/4"-20 HEX Z/P		2
14	8160002	NUT LOCK 5/16"-18 HEX Z/P		1
15	8165003	NUT-HEX-NYLNK, FLG .375"-16 ZP		1
16	8172007	WASHER 1/4"SAE9/32"X5/8"X1/16"		2
17	840078	BUSHING 3/8 ID X 1/2 OD X 3/8		4
18	840199	SCREWCAP 1/4-20 X 1 3/4 SKT BUT HD		2

Mech Idler Assembly

Models:
BC2600ICM
BC2601HM
BC2601HMFT



Rendered by ARI Network Services, Inc.

Mech Idler Assembly

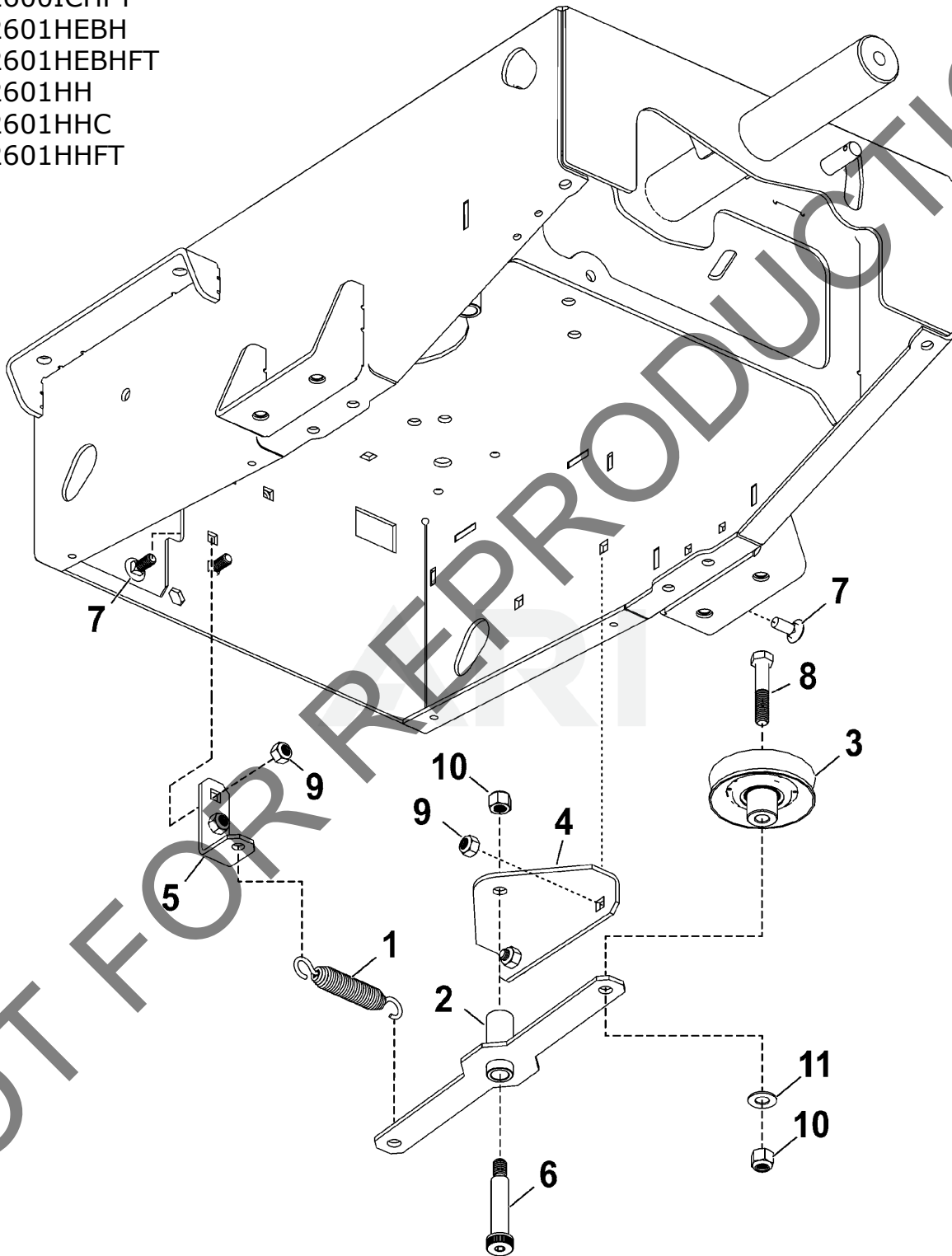
Models:
 BC2600ICM
 BC2601HM
 BC2601HMFT

Ref Number	Part Number	Part Description	Context Notes	Quantity
4	501117	ARM, IDLER DRIVE MECH WA		1
6	501249	BRACKET, BELT TIGHTEN BC2600		1
10	510142	SPRING TRANS IDLER		1
11	520031	BOLT SHOULDER 1/2" X 2"		1
13	521121	PULLEY IDLER ARM HP		1
15	8024039	BOLT CARRIAGE 5/16"-18 X 3/4" ZP		2
16	8041009	SCREWCAP 1/4"-20X1 3/4" HCS ZP		1
17	8041054	SCREWCAP 3/8"-16X2" HCS ZP		1
21	8160002	NUT LOCK 5/16"-18 HEX Z/P		2
22	8160003	NUT LOCK 3/8"-16 HEX		2
25	900455	NUT WHIZ 1/4"-20 WASH FACE		2

Hydro Idler Assembly

Models:

- BC2600ICH
- BC2600ICHC
- BC2600ICHFT
- BC2601HEBH
- BC2601HEBHFT
- BC2601HH
- BC2601HHC
- BC2601HHFT



Rendered by ARI Network Services, Inc.

Hydro Idler Assembly

Models:

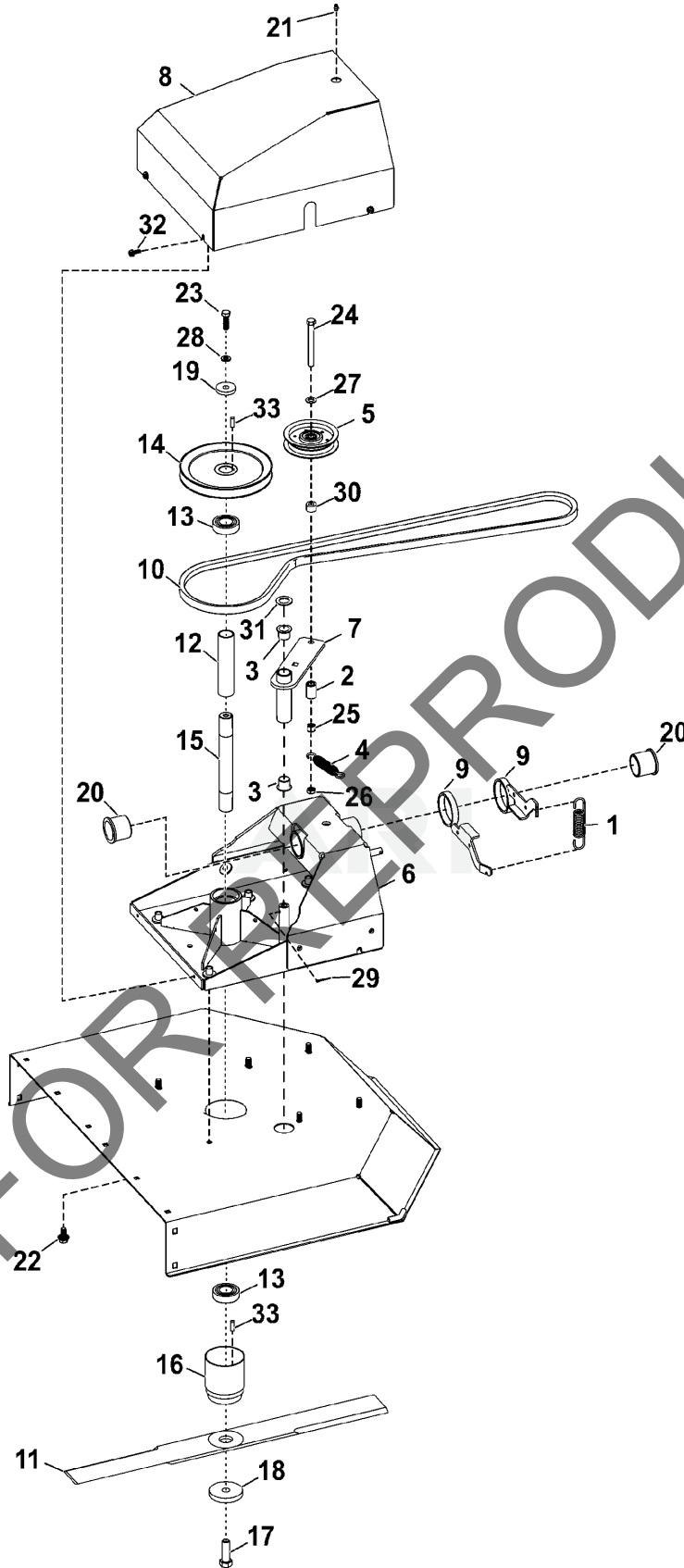
BC2600ICH
 BC2600ICHC
 BC2600ICHFT
 BC2601HEBH
 BC2601HEBHFT
 BC2601HH
 BC2601HHC
 BC2601HHFT

Ref Number	Part Number	Part Description	Context Notes	Quantity
1	382338	SPRING, EXT 4.090" X Ø.701 X 14LBF/IN		1
2	501112	ARM IDLER DRIVE ENGAGE WA		1
3	501216	PULLEY INSIDE IDLER BC26		1
4	501269	BRACKET IDLER ARM HYDRO BC26		1
5	501297	BRACKET SPRING IDLER		1
6	520031	BOLT SHOULDER 1/2" X 2"		1
7	8024039	BOLT CARRIAGE 5/16"-18 X 3/4" ZP		4
8	8041054	SCREWCAP 3/8"-16X2" HCS ZP		1
9	8160002	NUT LOCK 5/16"-18 HEX Z/P		4
10	8160003	NUT LOCK 3/8"-16 HEX		2
11	8172009	WASHER 3/8"SAE 13/32"X13/16"X1/16"		1

Spindle Assembly

Models:

- BC2600ICH
- BC2600ICHFT
- BC2601HEBH
- BC2601HEBHFT
- BC2601HH
- BC2601HHFT



Spindle Assembly

Models:

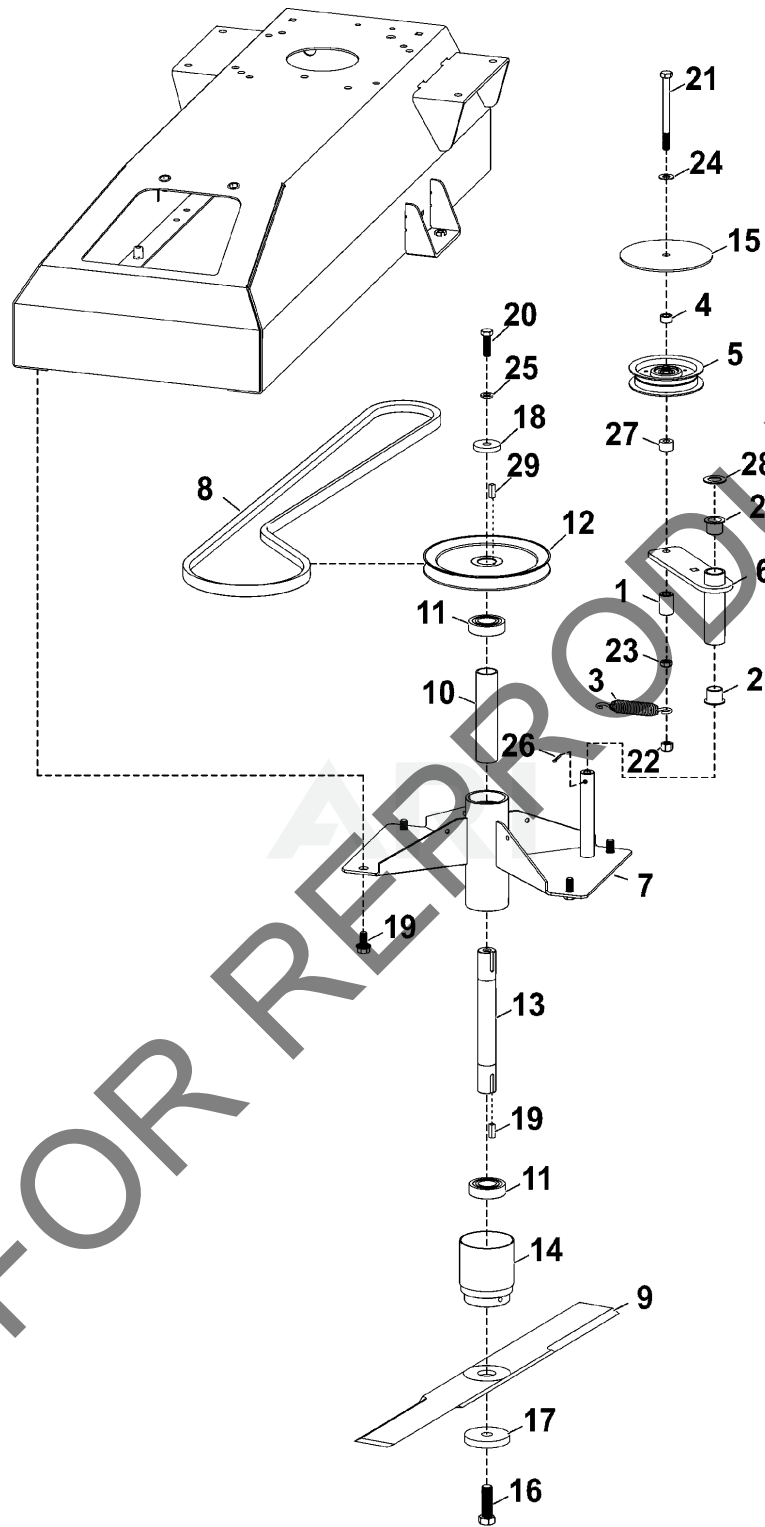
BC2600ICH
 BC2600ICHFT
 BC2601HEBH
 BC2601HEBHFT
 BC2601HH
 BC2601HHFT

Ref Number	Part Number	Part Description	Quantity
1	351254	SPRING LIFT ASSIST	1
2	360138	BUSHING PIVOT LIFT	1
3	360183	BUSHING PIVOT FRAME AE	2
4	382338	SPRING, EXT 4.090" X Ø.701 X 14LBF/IN	1
5	500113	PULLEY IDLER 4" OD X 3/8"	1
6	501101	BRACKET DECK MOUNT WA BC2600	1
7	501103	ARM IDLER DECK WA BC	1
8	501104	COVER BELT DECK WA BC2600	1
9	501116	ARM RTN WA BC26	2
10	501220	BELT 6972 POWERATED	1
11	501224	BLADE 26" FLAT BC2600	1
12	501245	SPACER SPINDLE BEARING BC26	1
13	501302	BEARING 1.00" SEALED PRESS IN	2
14	501308	PULLEY 7" OD X 1.000 BORE	1
15	501341	SHAFT BLADE DRIVE BC26	1
16	501343	ADAPTOR, BLADE WA BC26	1
17	501345	SCREWCAP 9/16-18 X 1 3/4" GR8 ZP	1
18	501346	WASHER BLADE BC26	1
19	5025714	WSHR, FLT .453 ID X 1.5 OD X .25 THK SPC	1
20	5108818	BUSHING, 1.500" ID X 1.500" LONG FLANGED	2
21	610363	ZERK FITTING GREASE	1
22	791080	SER HEX WASHER 3/8" - 16	6
23	8041051	SCREWCAP 3/8"-16X1 1/4" HCS ZP	1
24	8041061	SCREWCAP 3/8"-16X3 3/4"ZP	1
25	8160003	NUT LOCK 3/8"-16 HEX	1
26	8161042	NUT LOCK 3/8-16 LT WT THIN ZP	1
27	8172009	WASHER 3/8"SAE 13/32"X13/16"X1/16"	1
28	8177012	WASHER LOCK 3/8" S/T MED	1
29	8197031	PIN COTTER 1/8" X 1" Z/P	1
30	830526	TUBE PIVOT IDLER	1
31	5105957	WSHR-STL, FLT .750"X1.250" X .075" MAB Z	1
32	890359	SCREW SELF TAP 1/4"-20 X 5/8" HWH TYPE F	4
33	9201109	KEY 1/4" SQ X 0.75"	2

NOT FOR PRODUCTION

Spindle Assembly - 1

Models:
BC2600ICM
BC2601HM
BC2600HMFT



Rendered by ARI Network Services, Inc.

Ref Number	Part Number	Part Description	Context Notes	Quantity
1	360138	BUSHING PIVOT LIFT		1
2	360183	BUSHING PIVOT FRAME AE		2
3	382338	SPRING, EXT 4.090" X Ø.701 X 14LBF/IN		1
4	440228	TUBE SPACER 0.625" OD X 0.357" LONG		1
5	500113	PULLEY IDLER 4" OD X 3/8"		1
6	501103	ARM IDLER DECK WA BC		1
7	501118	DECK MOUNT WA, FIXED BC		1
8	501220	BELT 6972 POWERATED		1
9	501224	BLADE 26" FLAT BC2600		1
10	501245	SPACER SPINDLE BEARING BC26		1
11	501302	BEARING 1.00" SEALED PRESS IN		2
12	501308	PULLEY 7" OD X 1.000 BORE		1
13	501341	SHAFT BLADE DRIVE BC26		1
14	501343	ADAPTOR, BLADE WA BC26		1
15	501344	PLATE, BELT RETAINER		1
16	501345	SCREWCAP 9/16-18 X 1 3/4" GR8 ZP		1
17	501346	WASHER BLADE BC26		1
18	5025714	WSHR, FLT .453 ID X 1.5 OD X .25 THK SPC		1
19	791080	SER HEX WASHER 3/8" - 16		6
20	8041051	SCREWCAP 3/8"-16X1 1/4" HCS ZP		1
21	8041063	SCREWCAP 3/8-16 X 4 1/4" ZP		1
22	8160003	NUT LOCK 3/8"-16 HEX		1
23	8161042	NUT LOCK 3/8-16 LT WT THIN ZP		1

Spindle Assembly - 1

Models:

BC2600ICM
 BC2601HM
 BC2600HMFT

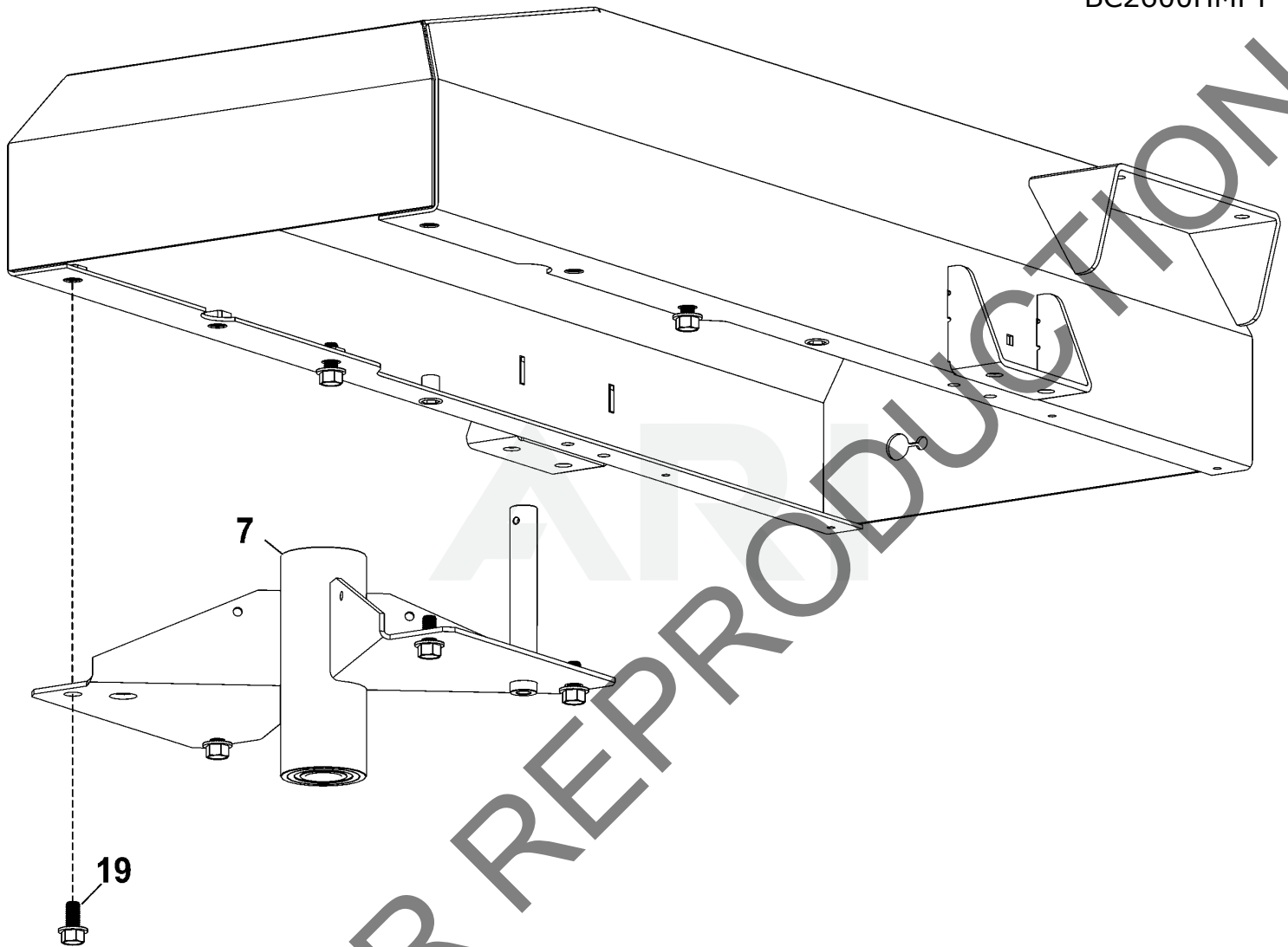
Ref Number	Part Number	Part Description	Context Notes	Quantity
24	8172009	WASHER 3/8"SAE 13/32"X13/16"X1/16"		1
25	8177012	WASHER LOCK 3/8" S/T MED		1
26	8197031	PIN COTTER 1/8" X 1" Z/P		1
27	830526	TUBE PIVOT IDLER		1
28	5105957	WSHR-STL, FLT .750"X1.250" X .075" MAB Z		1
29	9201109	KEY 1/4" SQ X 0.75"		2

NOT FOR REPRODUCTION

Spindle Assembly - 1

Models:

BC2600ICM
 BC2601HM
 BC2600HMFT



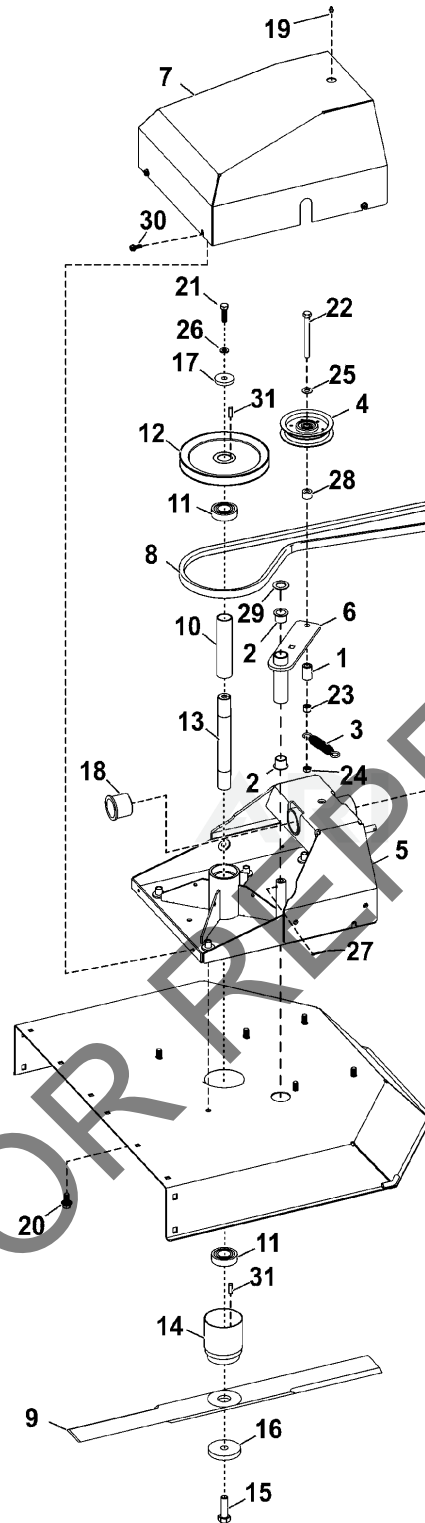
Rendered by ARI Network Services, Inc.

Ref Number	Part Number	Part Description	Context Notes	Quantity
7	501118	DECK MOUNT WA, FIXED BC		1
19	791080	SER HEX WASHER 3/8" - 16		6

Spindle Assembly

Models:

BC2600ICHC
BC2601HHC



Rendered by ARI Network Services, Inc.

Spindle Assembly

Models:

BC2600ICHC
BC2601HHC

Ref Number	Part Number	Part Description	Context Notes	Quantity
1	360138	BUSHING PIVOT LIFT		1
2	360183	BUSHING PIVOT FRAME AE		2
3	382338	SPRING, EXT 4.090" X Ø.701 X 14LBF/IN		1
4	500113	PULLEY IDLER 4" OD X 3/8"		1
5	501101	BRACKET DECK MOUNT WA BC2600		1
6	501103	ARM IDLER DECK WA BC		1
7	501104	COVER BELT DECK WA BC2600		1
8	501220	BELT 6972 POWERATED		1
9	501224	BLADE 26" FLAT BC2600		1
10	501245	SPACER SPINDLE BEARING BC26		1
11	501302	BEARING 1.00" SEALED PRESS IN		2
12	501308	PULLEY 7" OD X 1.000 BORE		1
13	501341	SHAFT BLADE DRIVE BC26		1
14	501343	ADAPTOR, BLADE WA BC26		1
15	501345	SCREWCAP 9/16-18 X 1 3/4" GR8 ZP		1
16	501346	WASHER BLADE BC26		1
17	5025714	WSHR, FLT .453 ID X 1.5 OD X .25 THK SPC		1
18	5108818	BUSHING, 1.500" ID X 1.500" LONG FLANGED		2
19	610363	ZERK FITTING GREASE		1
20	791080	SER HEX WASHER 3/8" - 16		6
21	8041051	SCREWCAP 3/8"-16X1 1/4" HCS ZP		1
22	8041061	SCREWCAP 3/8"-16X3 3/4" ZP		1
23	8160003	NUT LOCK 3/8"-16 HEX		1

Spindle Assembly

Models:

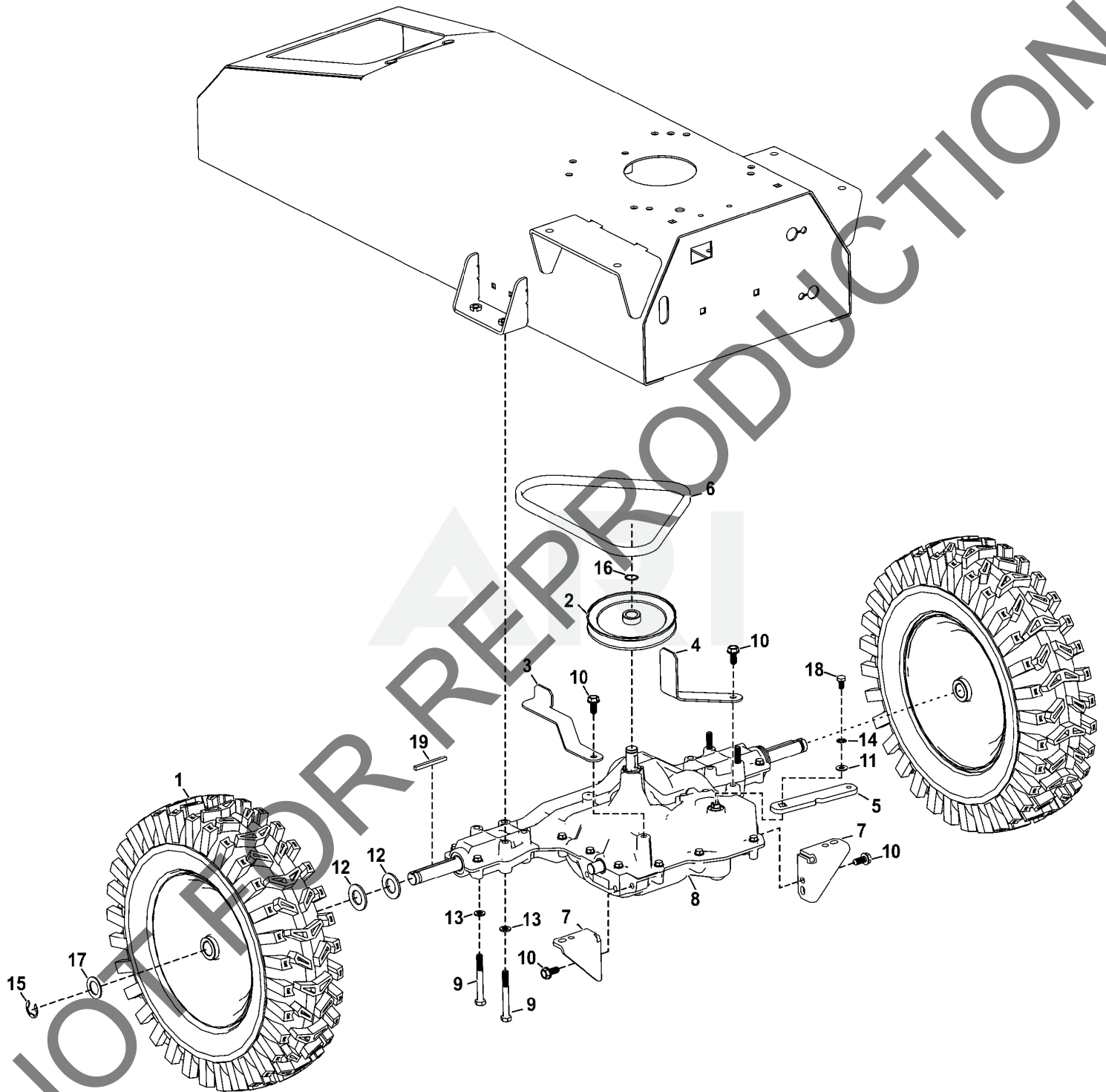
BC2600ICHC
BC2601HHC

Ref Number	Part Number	Part Description	Context Notes	Quantity
24	8161042	NUT LOCK 3/8-16 LT WT THIN ZP		1
25	8172009	WASHER 3/8"SAE 13/32"X13/16"X1/16"		1
26	8177012	WASHER LOCK 3/8" S/T MED		1
27	8197031	PIN COTTER 1/8" X 1" Z/P		1
28	830526	TUBE PIVOT IDLER		1
29	5105957	WSHR-STL, FLT .750"X1.250" X .075" MAB Z		1
30	890359	SCREW SELF TAP 1/4"-20 X 5/8" HWH TYPE F		4
31	9201109	KEY 1/4" SQ X 0.75"		2

NOT FOR REPRODUCTION

Wheel Drive Assembly

Models:
BC2600ICM
BC2601HM



Rendered by ARI Network Services, Inc.

Wheel Drive Assembly

Models:

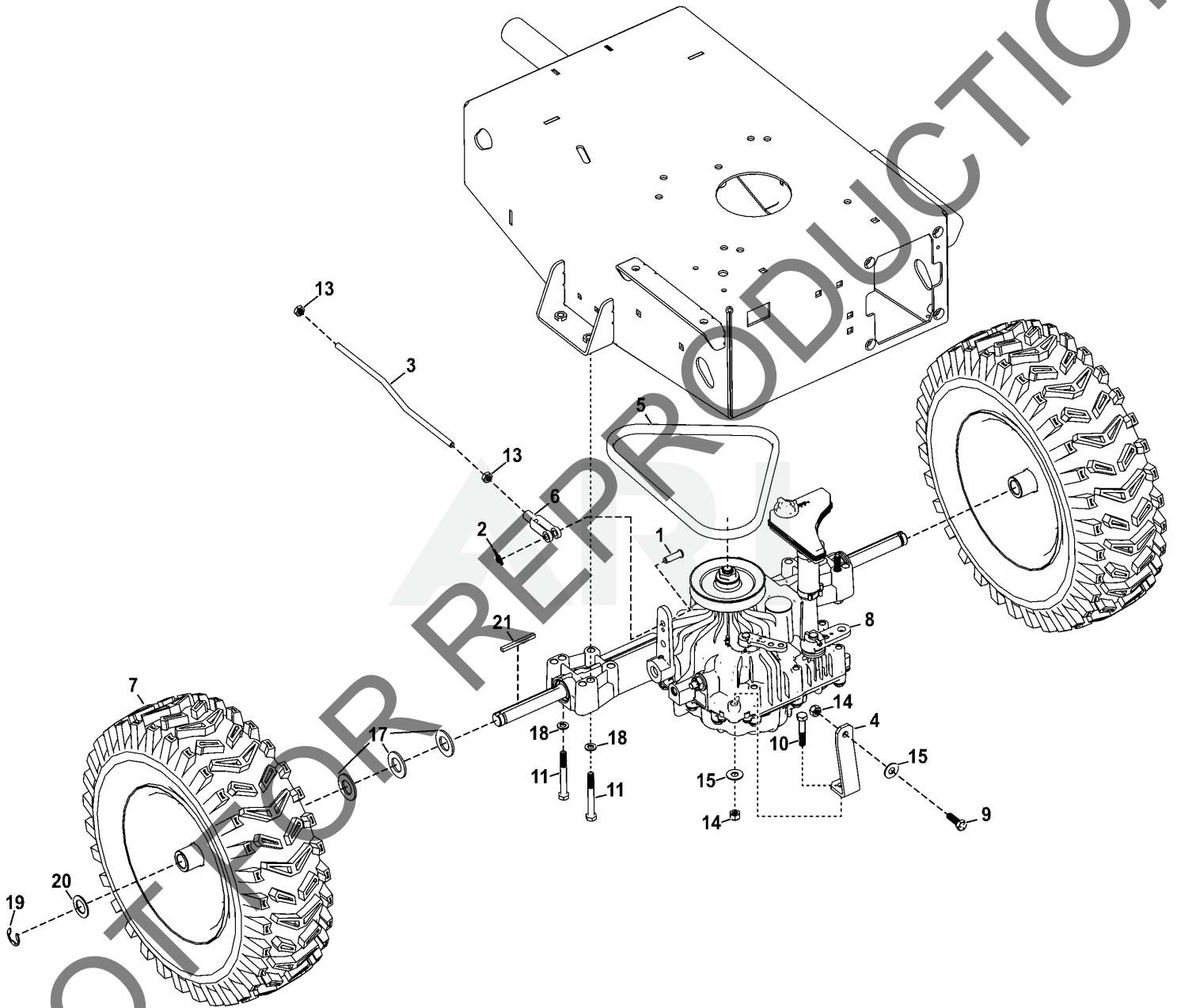
BC2600ICM
BC2601HM

Ref Number	Part Number	Part Description	Context Notes	Quantity
1	500366	WHEEL 16" STUD TREAD W/CENTERED HUB		2
2	501248	PULLEY 5.0 DIA. A-SEC 0.626 I.D.		1
3	501252	BRACKET, BELT FINGER BC2600		1
4	501253	BRACKET, BELT FINGER ADJ BC2600		1
5	501255	LEVER, TRANSAXLE SHIFT BC2600		1
6	501268	BELT HYDRO TRANSAXLE BC2600		1
7	501338	BRACKET, ANTI-ROTATION		2
8	521102	TRANSAXLE HP		1
9	8041035	SCREWCAP 5/16"-18X2 3/4" HCS ZP		4
10	8123128	SCREW SELF TAP 5/16" X 3/4" HEX		4
11	8172007	WASHER 1/4"SAE9/32"X5/8"X1/16"		1
12	8172015	WASHER 3/4" SAE 13/16"X1.5"X1/8"ZP		4
13	8177011	WASHER LOCK 5/16 ST MED		4
14	8181007	WASHER LOCK 1/4" EXTERNAL TOOTH		1
15	850230	RING RETAINING "E" 3/4"		2
16	850233	RING SNAP TRUARC 5/8"		1
17	5105957	WSHR-STL, FLT .750"X1.250" X .075" MAB Z		2
18	850408	SCREWCAP 1/4"-28X1/2" HCS GR5 ZP		1
19	9201087	KEY 3/16" SQ X 2 1/8"		2

Wheel Drive Assembly

Models:

BC2600ICH
BC2600ICHC
BC2601HEBH
BC2601HH
BC2601HHC



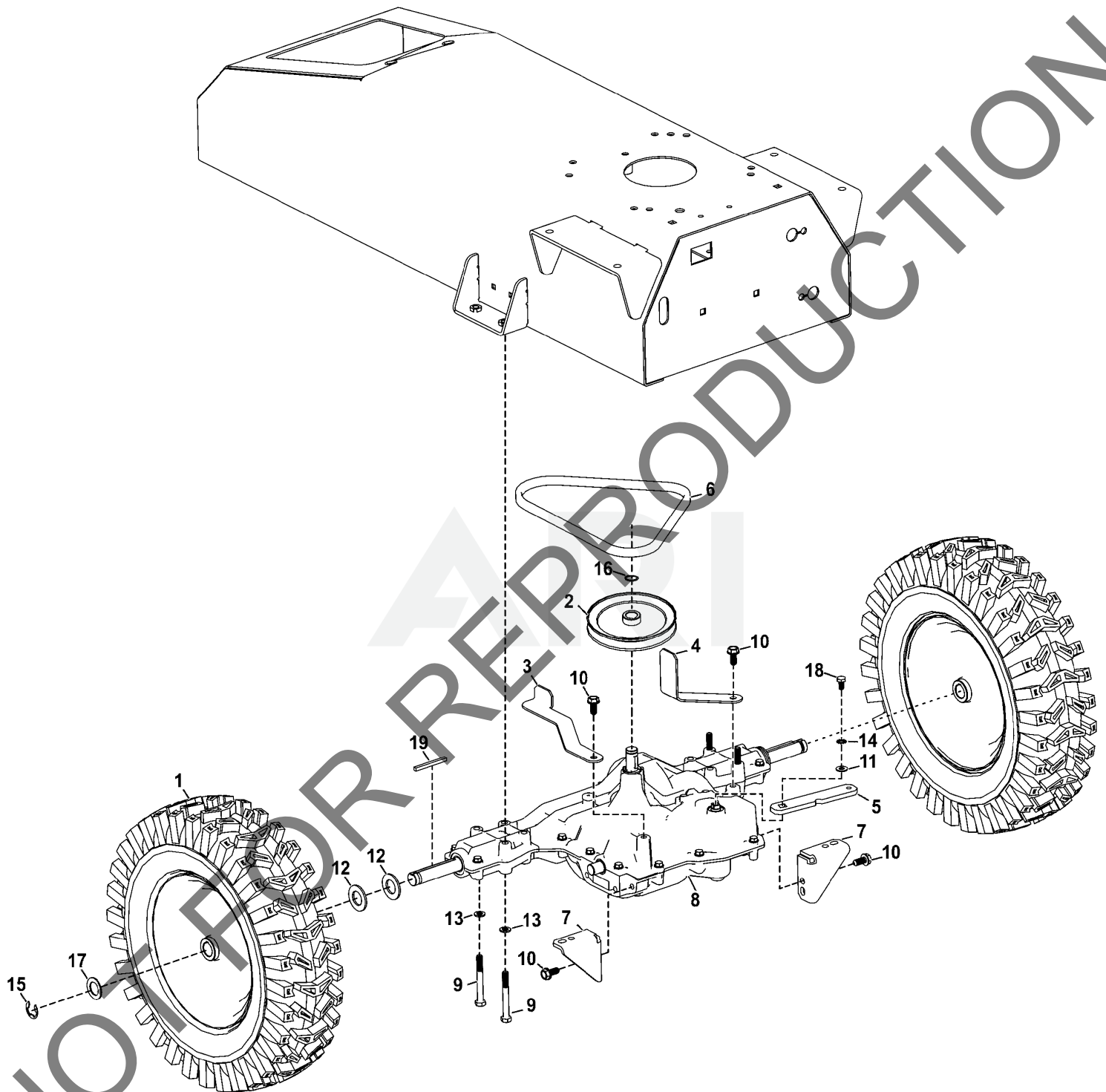
Rendered by ARI Network Services, Inc.

Wheel Drive Assembly

Models:

BC2600ICH
 BC2600ICHC
 BC2601HEBH
 BC2601HH
 BC2601HHC

Ref Number	Part Number	Part Description	Context Notes	Quantity
1	351251	PIN-CVS, .3125" X 1.000", Ø.1406 X .781"		1
2	373216	PIN, RUE RING 0.313" ZP		1
3	501260	CONTROL ROD BC2600		1
4	501267	BRACKET SUPPORT HYDRO TRANSAXLE		1
5	501268	BELT HYDRO TRANSAXLE BC26		1
6	501274	YOKE FEMALE STEEL 5/16-20 RH X 2.25		1
7	501275	TIRE 16" AG SP		2
8	501354	TRANSAXLE, K46 TUFF TORQ BC2600		1
9	8041028	SCREWCAP 5/16"-18 X 1" HCS ZP		1
10	8041031	SCREWCAP 5/16"-18X1 3/4" HCS ZP		1
11	8041035	SCREWCAP 5/16"-18X2 3/4" HCS ZP		4
13	8149002	NUT 5/16"-24 FIN HEX Z/P		2
14	8160002	NUT LOCK 5/16"-18 HEX Z/P		2
15	8171003	WASHER 5/16" FLATWASHER Z/P		2
17	8172015	WASHER 3/4" SAE 13/16"X1.5"X1/8"ZP		6
18	8177011	WASHER LOCK 5/16 ST MED		4
19	850230	RING RETAINING "E" 3/4"		2
20	5105957	WSHR-STL, FLT .750"X1.250" X .075" MAB Z		2
21	9201087	KEY 3/16" SQ X 2 1/8"		2



Rendered by ARI Network Services, Inc.

Wheel Drive Assembly

Models:

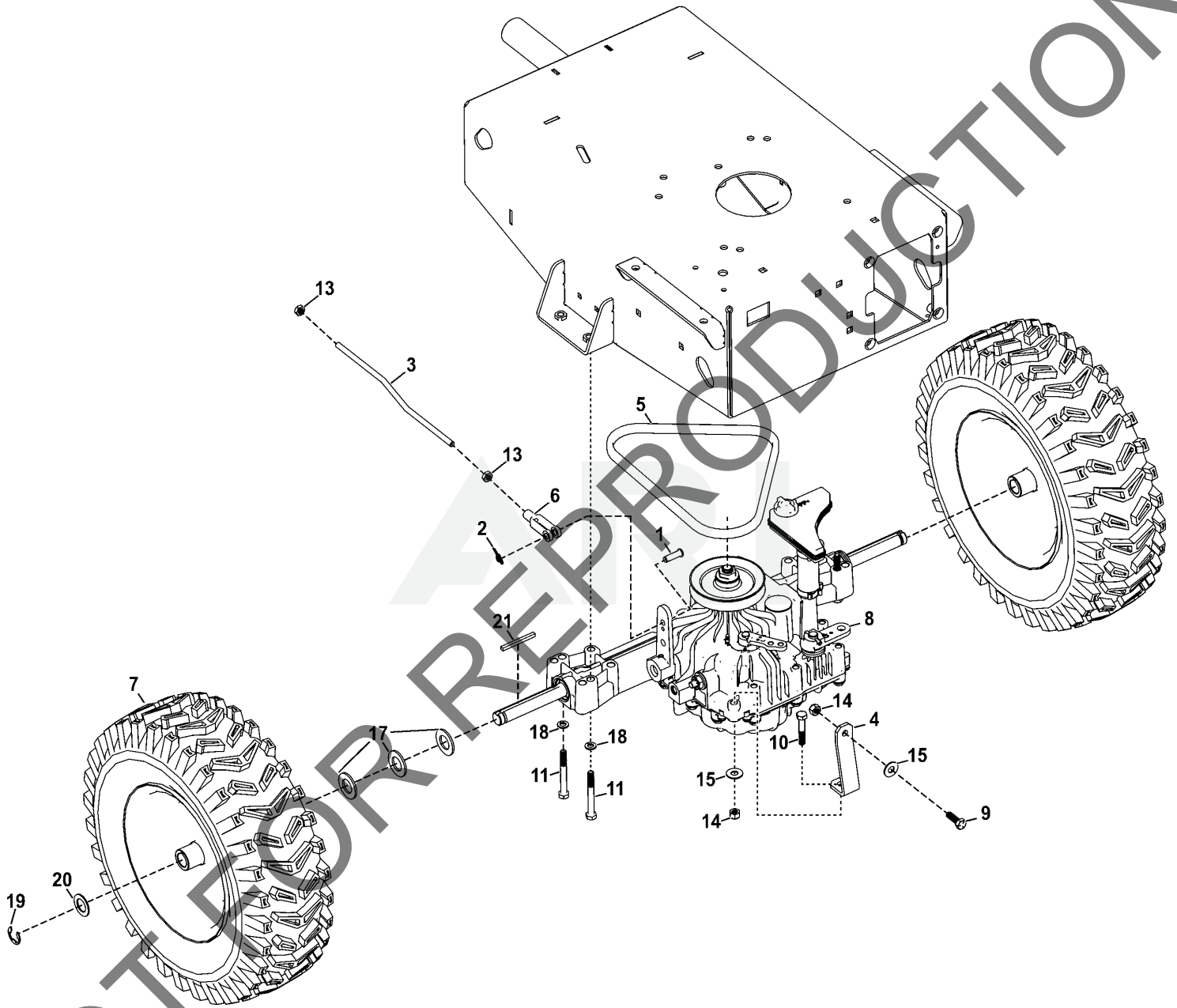
BC2601HMFT

Ref Number	Part Number	Part Description	Context Notes	Quantity
1	500371	WHEEL 16" STUD TREAD FOAM FILL (SEE ACCESSORY PRICELIST)		2
2	501248	PULLEY 5.0 DIA. A-SEC 0.626 I.D.		1
3	501252	BRACKET, BELT FINGER BC2600		1
4	501253	BRACKET, BELT FINGER ADJ BC2600		1
5	501255	LEVER, TRANSAXLE SHIFT BC2600		1
6	501268	BELT HYDRO TRANSAXLE BC2600		1
7	501338	BRACKET, ANTI-ROTATION		2
8	521102	TRANSAXLE HP		1
9	8041035	SCREWCAP 5/16"-18X2 3/4" HCS ZP		4
10	8123128	SCREW SELF TAP 5/16" X 3/4" HEX		4
11	8172007	WASHER 1/4"SAE9/32"X5/8"X1/16"		1
12	8172015	WASHER 3/4" SAE 13/16"X1.5"X1/8"ZP		4
13	8177011	WASHER LOCK 5/16 ST MED		4
14	8181007	WASHER LOCK 1/4" EXTERNAL TOOTH		1
15	850230	RING RETAINING "E" 3/4"		2
16	850233	RING SNAP TRUARC 5/8"		1
17	5105957	WSHR-STL, FLT .750"X1.250" X .075" MAB Z		2
18	850408	SCREWCAP 1/4"-28X1/2" HCS GR5 ZP		1
19	9201087	KEY 3/16" SQ X 2 1/8"		2

Wheel Drive Assembly

Models:

BC2600ICHFT
BC2601HEBHFT
BC2601HHFT



Rendered by ARI Network Services, Inc.

Wheel Drive Assembly

Models:

BC2600ICHFT
 BC2601HEBHFT
 BC2601HHFT

Ref Number	Part Number	Part Description	Context Notes	Quantity
1	351251	PIN-CVS, .3125" X 1.000", Ø.1406 X .781"		1
2	373216	PIN, RUE RING 0.313" ZP		1
3	501260	CONTROL ROD BC2600		1
4	501267	BRACKET SUPPORT HYDRO TRANSAXLE		1
5	501268	BELT HYDRO TRANSAXLE BC26		1
6	501274	YOKE FEMALE STEEL 5/16-20 RH X 2.25		1
7	501353	WHEEL & TIRE AG 16" CENTERED HUB - FOAM (SEE ACCESSORY PRICELIST)		2
8	501354	TRANSAXLE, K46 TUFF TORQ BC2600		1
9	8041028	SCREWCAP 5/16"-18 X 1" HCS ZP		1
10	8041028	SCREWCAP 5/16"-18 X 1" HCS ZP		1
11	8041031	SCREWCAP 5/16"-18X1 3/4" HCS ZP		1
13	8149002	NUT 5/16"-24 FIN HEX Z/P		2
14	8160002	NUT LOCK 5/16"-18 HEX Z/P		2
15	8171003	WASHER 5/16" FLATWASHER Z/P		2
17	8172015	WASHER 3/4" SAE 13/16"X1.5"X1/8"ZP		6
18	8177011	WASHER LOCK 5/16 ST MED		4
19	850230	RING RETAINING "E" 3/4"		2
20	5105957	WSHR-STL, FLT .750"X1.250" X .075" MAB Z		2
21	9201087	KEY 3/16" SQ X 2 1/8"		2

Labels

ALL MODELS:



VARIES BY MODEL:



Labels

ALL MODELS:

Ref Number	Part Number	Part Description	Context Notes	Quantity
1	100251	LABEL ROUND TEXT-TO-MANUAL		1
2	100346	LABEL SAFETY PROTECT READ MANUAL		1
3	100443	LABEL, P65 WARNING -MACHINE		1
4	400424	LABEL WARNING OPEI		4
5	810736	LABEL DANGER FLYING DEBRIS		
6	900327	LABEL DANGER		1
7	501314	LABEL THROTTLE BC		1
8	500168	LABEL CHOCK WHEELS		2
9	500177	LABEL CLUTCH BLADE		1
10	430303	LABEL LOGO QB		1

VARIES BY MODEL:

11	100261	LABEL HOT ENGINE		1
12	100256	LABEL SPARK ARRESTOR		1
13	501511	LABEL CHOKE		1

Labels

MECHANICAL-DRIVE MODELS:



14



15

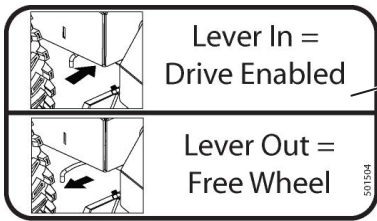
Text MEADOW
to 33988 (U.S.) &
33433 (CAN) for
helpful Video
Tutorial

16

HYDRO-DRIVE MODELS:



17



18



19

Text BRUSH
to 33988 (U.S.) &
33433 (CAN) for
helpful Video
Tutorial

20

ELECTRIC-START MODELS:



21

Labels

MECHANICAL-DRIVE MODELS:

Ref Number	Part Number	Part Description	Context Notes	Quantity
14	501503	LABEL SHIFT BC26 MECHANICAL		1
15	501501	LABEL, BADGING MECH BC2600		1
16	501230	LABEL ROUND MEADOW T2V 2.5"		1

HYDRO-DRIVE MODELS:

Ref Number	Part Number	Part Description	Context Notes	Quantity
17	501502	LABEL DRIVE DIRECTION		1
18	501504	LABEL DRIVE RELEASE		1
19	501500	LABEL BADGING BC26 HYDRO		1
20	501507	LABEL ROUND BRUSH T2V 2.5"		1

ELECTRIC-START MODELS:

Ref Number	Part Number	Part Description	Context Notes	Quantity
21	520208	LABEL BATTERY		1