



SC181 Illustrated Parts List

Beginning Serial #: 120122001

Models

SC181H
SC181HG
SC181K
SC181KG

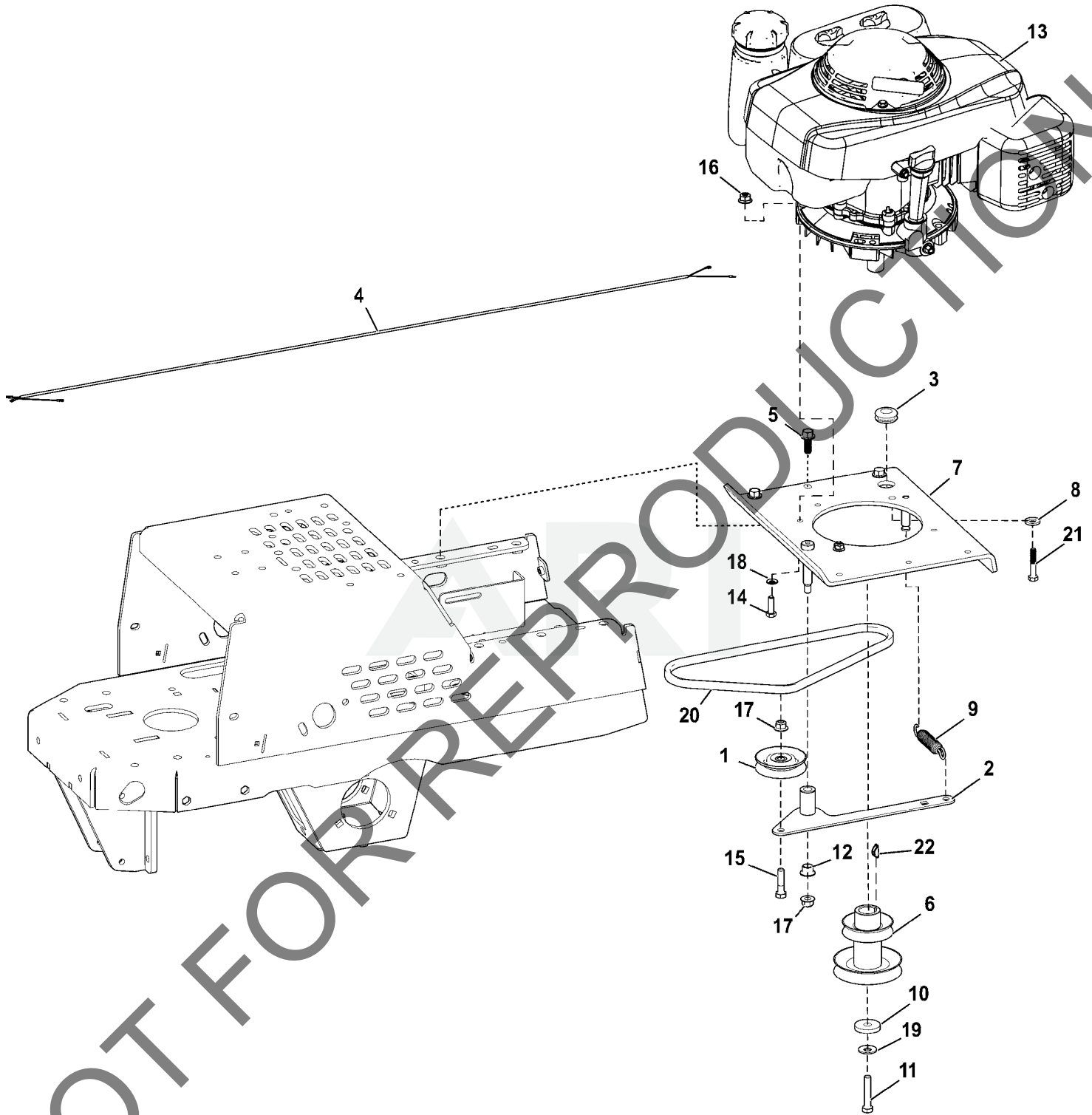


TABLE OF CONTENTS

Engine	3
Frame	7
Wheel Drive	15
Blade Drive	23
Blade Arm	25
Handle	29
Speed Control	34
Transmission	36
Decals	38

NOT FOR REPRODUCTION

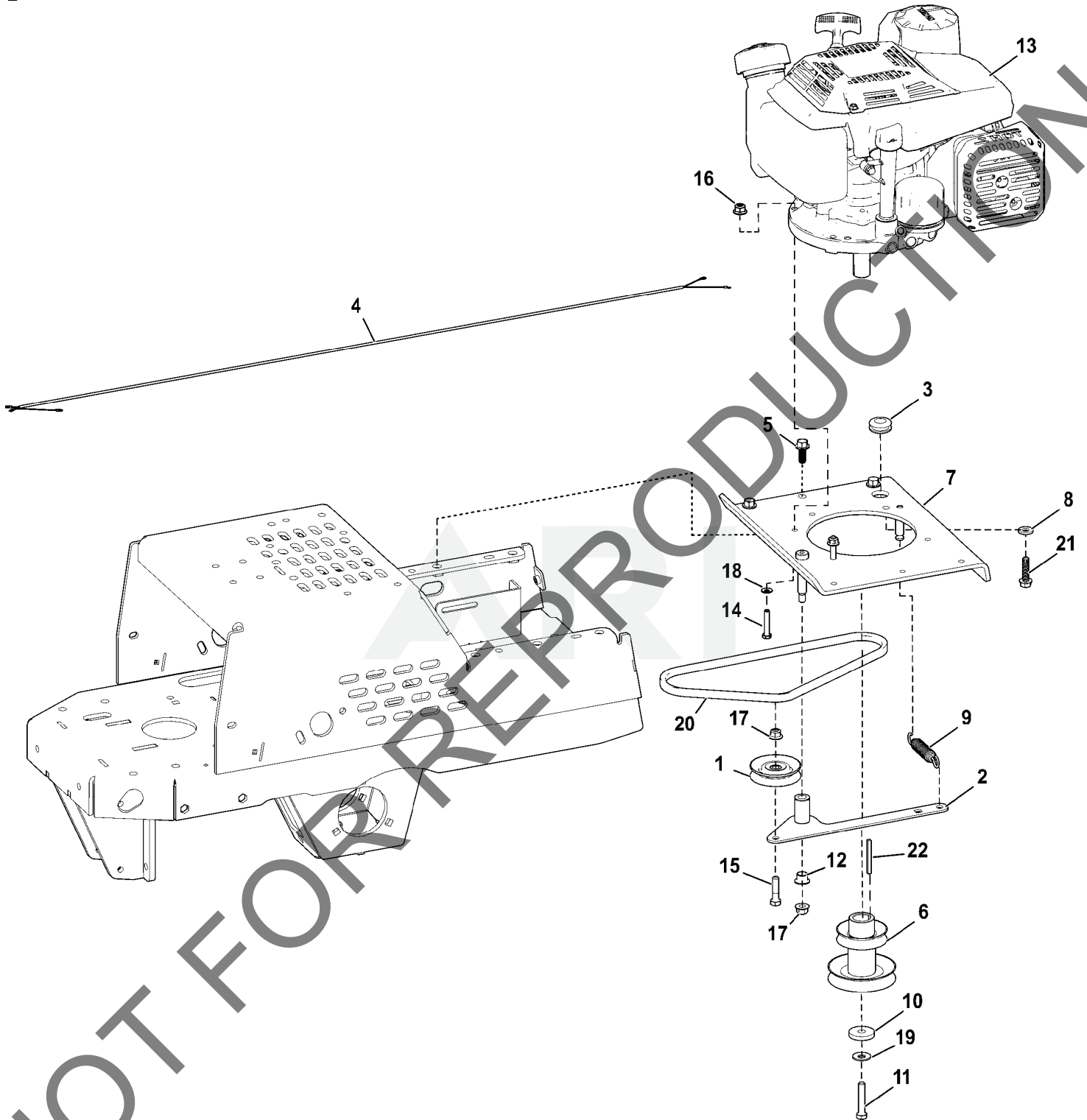
Engine Assembly - SC181H and SC181HG ONLY



Rendered by ARI Network Services, Inc.

Engine Assembly - SC181H and SC181HG ONLY

Ref Number	Part Number	Part Description	Context Notes	Quantity
1	351216	PULLEY 3V GROOVE IDLER		1
2	373116	IDLER, TRANS. BELT SC181H WA		1
3	373286	GROMMET 0.69" I.D. FIT 1.00" HOLE		1
4	373312	HARNES, STOP SWITCH WIRE		1
5	373337	SCR-HEX-FLG-SER-GR5-(ZN)-3/8_16X1		6
6	373275	PULLEY, DOUBLE DRIVE		1
7	373352	WA, SC ENGINE, BILLY GOAT		1
8	8172008	WASHER 5/16" SAE Z/P		1
9	382338	SPRING, EXT 4.090" X Ø.701 X 14LBF/IN		1
10	5025714	WSHR, FLT .453 ID X 1.5 OD X .25 THK SPC		1
11	5108673	SCR-CAP, HEX .375"-24 X 2.00 GR8 W/PATCH		1
12	5108816	BSHG-FL .500"X.625"X.500" .875"X.062" IR		2
13	371300	ENGINE 5.5HP HONDA GXV160UH2 N1XB		1
14	5106543	SCREWCAP 5/16"-24 X 1" GR 8 ZP w/PATCH		3
15	8041052	SCREWCAP 3/8" - 16 X 1/2" HCS ZP		1
16	8165002	NUT-HEX-NYLK, FLG .3125-18 ZP		3
17	8165003	NUT-HEX-NYLK, FLG .375"-16 ZP		2
18	8181010	WASHER, BELLEVILLE CONTACT .323X.717X.05		3
19	8181011	WSHR-STL, BLV, .402 X .877 X .063 CN MZ		1
20	830223	BELT V 4L X 34 OUTSIDE LG		1
21	8041031	SCREWCAP 5/16"-18X1 3/4" HCS ZP		1
22	900162	KEY HI PRO 5/32" X 5/8"		1



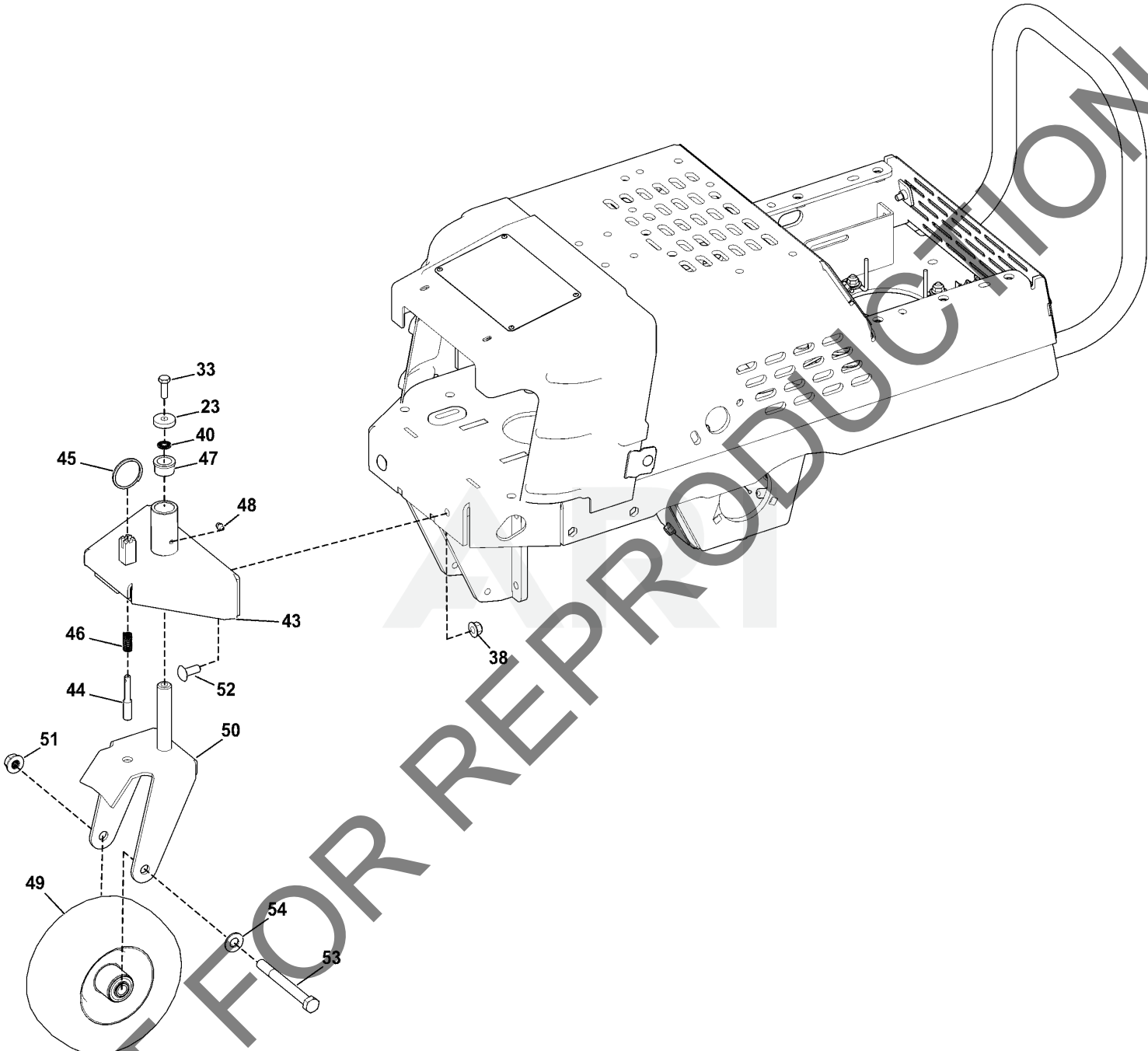
Rendered by ARI Network Services, Inc.

Engine Assembly

SC181K and SC181KG ONLY

Ref Number	Part Number	Part Description	Context Notes	Quantity
1	351216	PULLEY 3V GROOVE IDLER		1
2	373116	IDLER, TRANS. BELT SC181H WA		1
3	373286	GROMMET 0.69" I.D. FIT 1.00" HOLE		1
4	373312	HARNESS, STOP SWITCH WIRE		1
5	373337	SCR-HEX-FLG-SER-GR5-(ZN)-3/8_16X1		6
6	373351	PULLEY, DOUBLE DRIVE, 25MM CRANKSHAFT		1
7	373352	WA, SC ENGINE, BILLY GOAT		1
8	382202	WSHR-STL, FLT, .406" X .875" X .125" ZP		1
9	382338	SPRING, EXT 4.090" X Ø.701 X 14LBF/IN		1
10	5025714	WSHR, FLT .453 ID X 1.5 OD X .25 THK SPC		1
11	5108673	SCR-CAP, HEX .375"-24 X 2.00 GR8 W/PATCH		1
12	5108816	BSHG-FL .500"X.625"X.500" .875"X.062" IR		2
13	80111533	ENGINE, KOHLER, 200CC, PA-CV200-3002		1
14	8041031	SCREWCAP 5/16"-18X1 3/4" HCS ZP		3
15	8041052	SCREWCAP 3/8" - 16 X 1/2" HCS ZP		1
16	8165002	NUT-HEX-NYLK, FLG .3125-18 ZP		3
17	8165003	NUT-HEX-NYLK, FLG .375"-16 ZP		2
18	8181010	WASHER, BELLEVILLE CONTACT .323X.717X.05		3
19	8181011	WSHR-STL, BLV, .402 X .877 X .063 CN MZ		1
20	830223	BELT V 4L X 34 OUTSIDE LG		1
21	890408	SCREW 3/8" X 1 1/2" TCS		1
22	9201087	KEY 3/16" SQ X 2 1/8"		1

Frame Assembly - 1



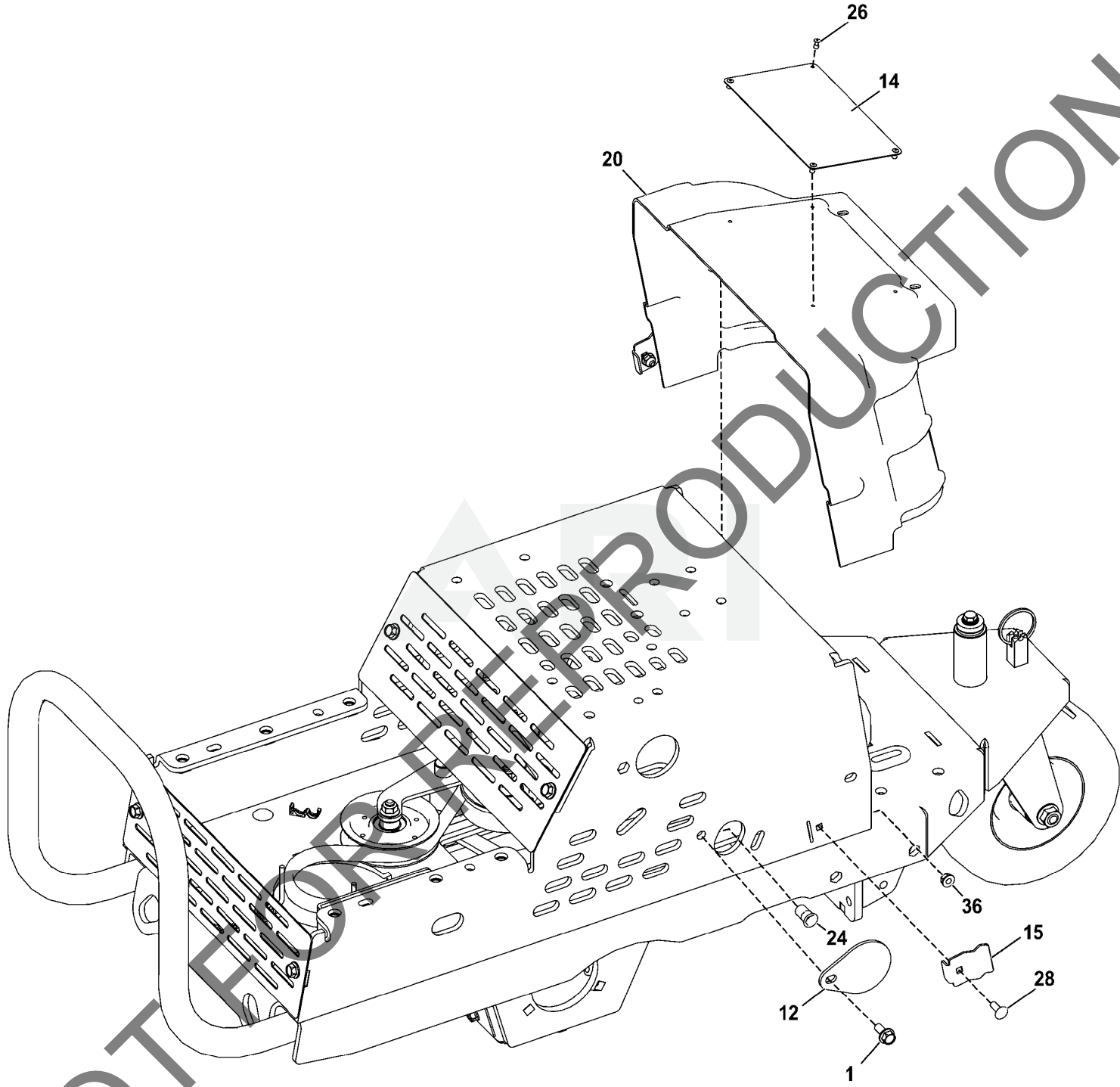
Rendered by ARI Network Services, Inc.

Frame Assembly - 1

Ref Number	Part Number	Part Description	Context Notes	Quantity
23	441150	WASHER 1.125 OD X 0.344 ID X .25 THK ZP		2
33	8041028	SCREWCAP 5/16"-18 X 1" HCS ZP		2
38	8165003	NUT-HEX-NYLK, FLG .375"-16 ZP		5
40	8181010	WASHER, BELLEVILLE CONTACT .323X.717X.05		2
43	373118	CASTER MOUNT SC181H WA		1
44	501335	7/16" DIA SWIVEL LOCK PIN, PLT		1
45	501336	KEY, RING 1-5/8 OD		1
46	501337	SWIVEL LOCK SPRING		1
47	520184	BUSHING FLANGE 1" OD 3/4" ID		2
48	610363	ZERK FITTING GREASE		1
49	373300	WHEEL, 8" X 3" HEAVY DUTY		1
50	382125	WA, CASTER WHEEL		1
51	5025396	NUT, 1/2-13 HEX NYLOCK FLANGE		1
52	8024058	BOLT CARRAIGE 3/8-16 X 1" ZP		2
53	8041108	SCREWCAP 1/2"-13 X 4 3/4 HCS ZP GR. 5		1
54	8172011	WASHER 1/2" SAE Z/P		1

NOT FOR REPRODUCTION

Frame Assembly - 2



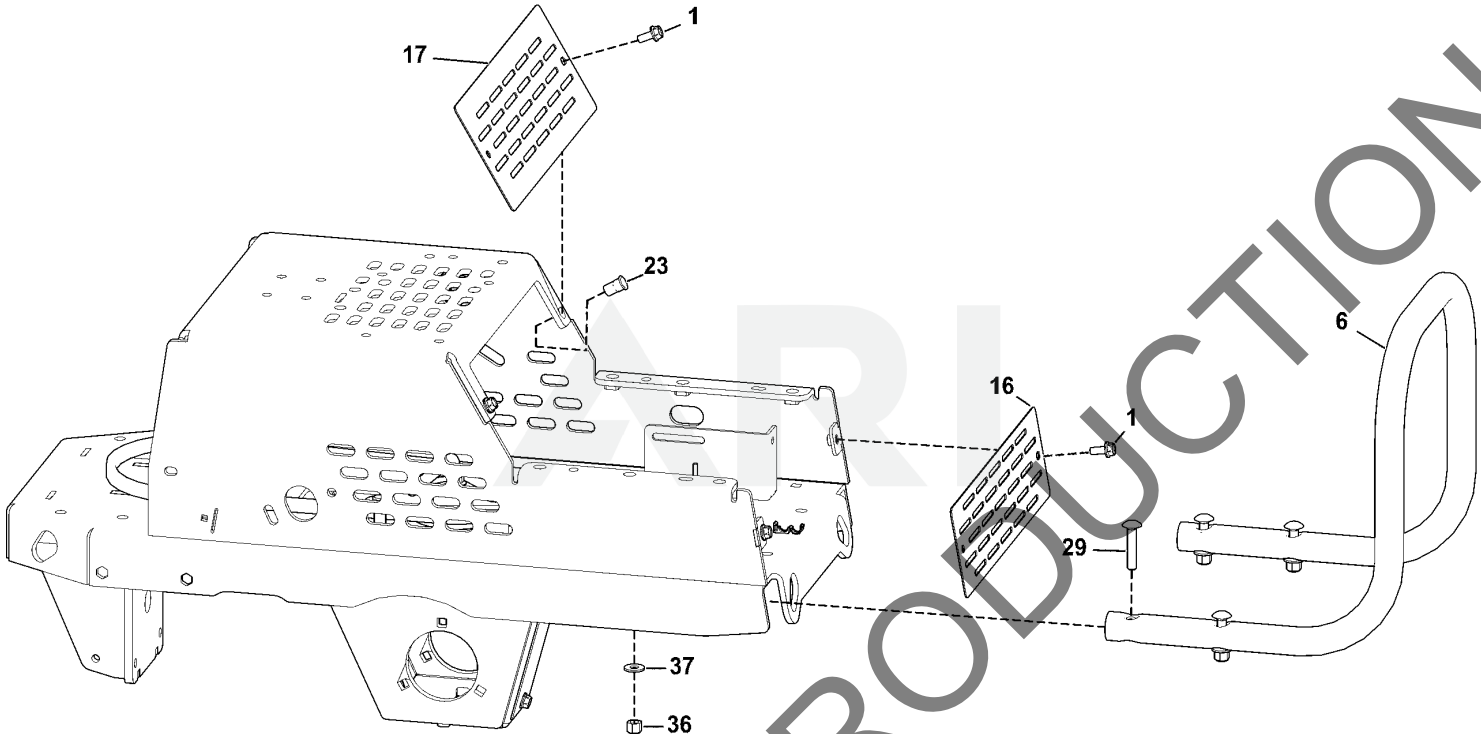
Rendered by ARI Network Services, Inc.

Frame Assembly - 2

Ref Number	Part Number	Part Description	Context Notes	Quantity
1	351264	SER HEX WASHER FLNG SCREW 5/16"-18 X 3/4"		7
12	373121	PLATE, COVER SPROCKET WA		1
14	373209	PLATE, INSTRUCTION SC181H		1
15	373210	BRACKET, GUARD CLIP		2
20	373299	GUARD, REAR SC181H		1
24	501311	NUT INSERT HEX 5/16-18		5
26	5417956	RIVET, BLIND .125" X .250" SS188		4
28	8024021	BOLT CARRIAGE 1/4" X 3/4"		2
36	8165001	NUT-HEX-NYLK, FLG .250"-20 ZP		3

NOT FOR REPRODUCTION

Frame Assembly - 3

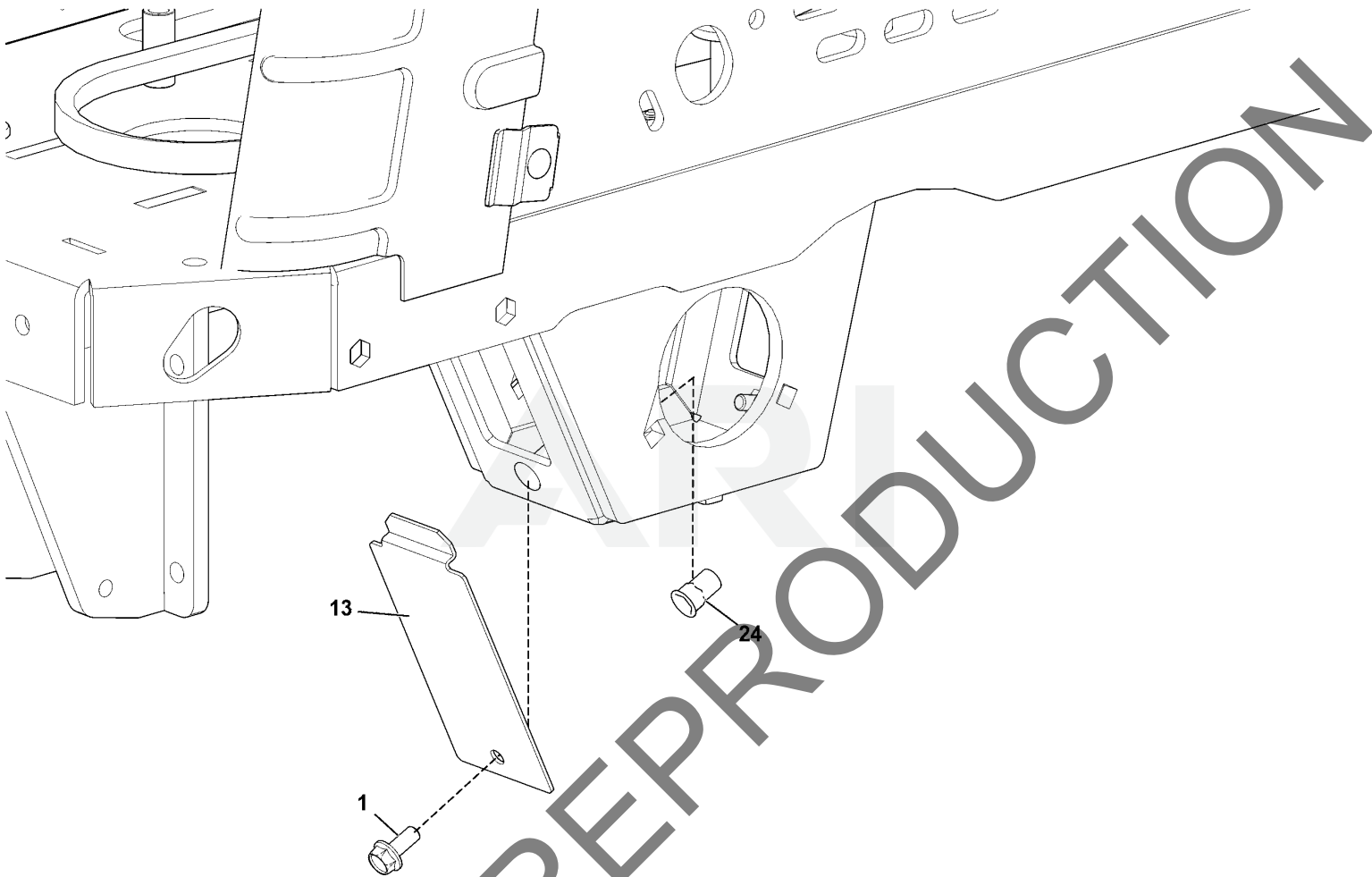


Rendered by ARI Network Services, Inc.

Frame Assembly - 3

Ref Number	Part Number	Part Description	Context Notes	Quantity
1	351264	SER HEX WASHER FLNG SCREW 5/16"-18 X 3/4"		7
6	371400	TUBE BUMPER SC		1
16	373212	PLATE, FRONT GUARD		1
17	373213	PLATE, MID FRAME GUARD		1
23	501311	NUT INSERT HEX 5/16-18		5
29	8024062	BOLT CARRIAGE 3/8"-16 X 2" ZP		4
36	8165003	NUT-HEX-NYLK, FLG .375"-16 ZP		5
37	8171003	WASHER 5/16" FLATWASHER Z/P		6

Frame Assembly - 4

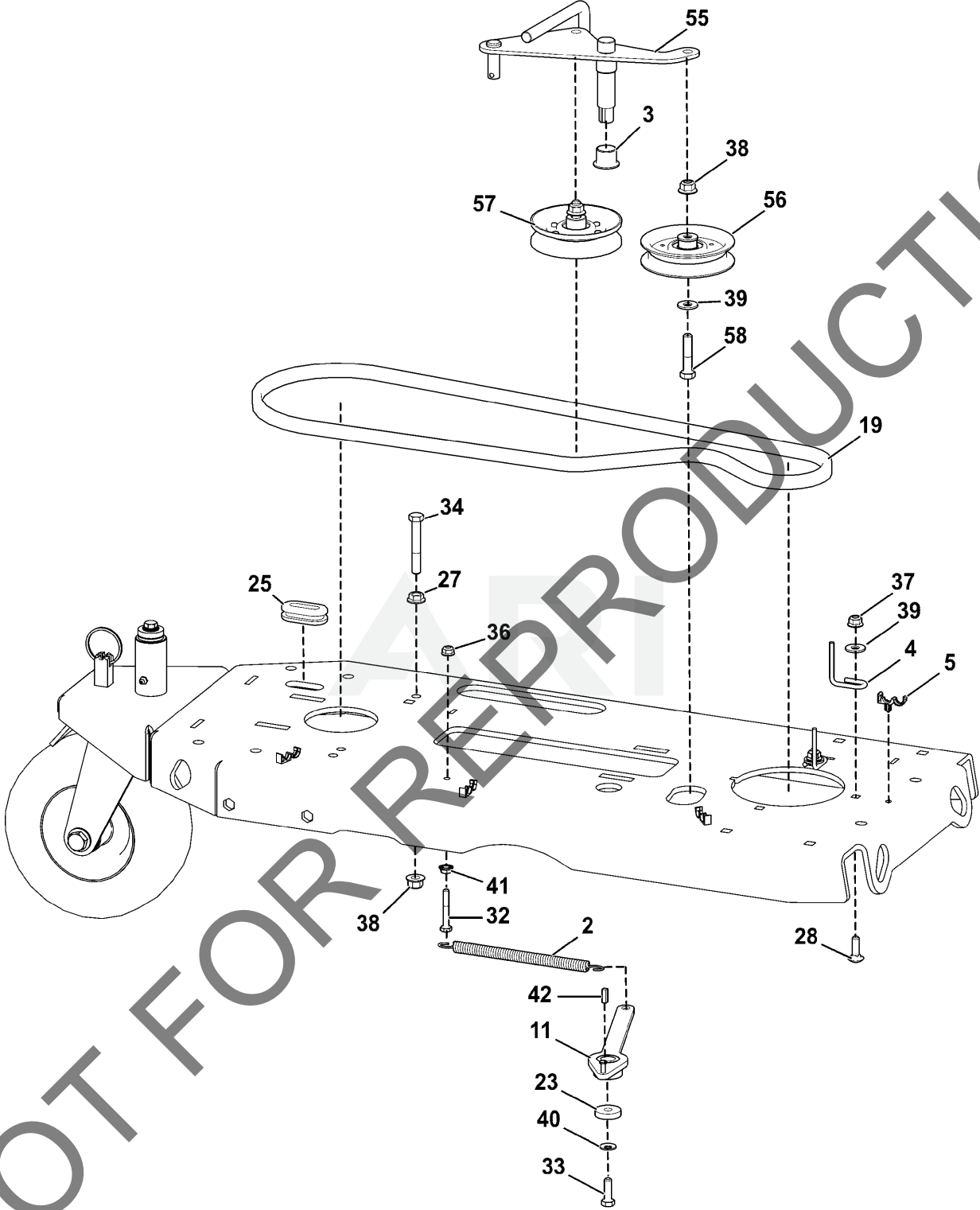


Rendered by ARI Network Services, Inc.

Frame Assembly - 4

Ref Number	Part Number	Part Description	Context Notes	Quantity
1	351264	SER HEX WASHER FLNG SCREW 5/16"-18 X 3/4"		7
13	373208	PLATE, ACCESS AXLE		2
24	501311	NUT INSERT HEX 5/16-18		5

Frame Assembly - 5

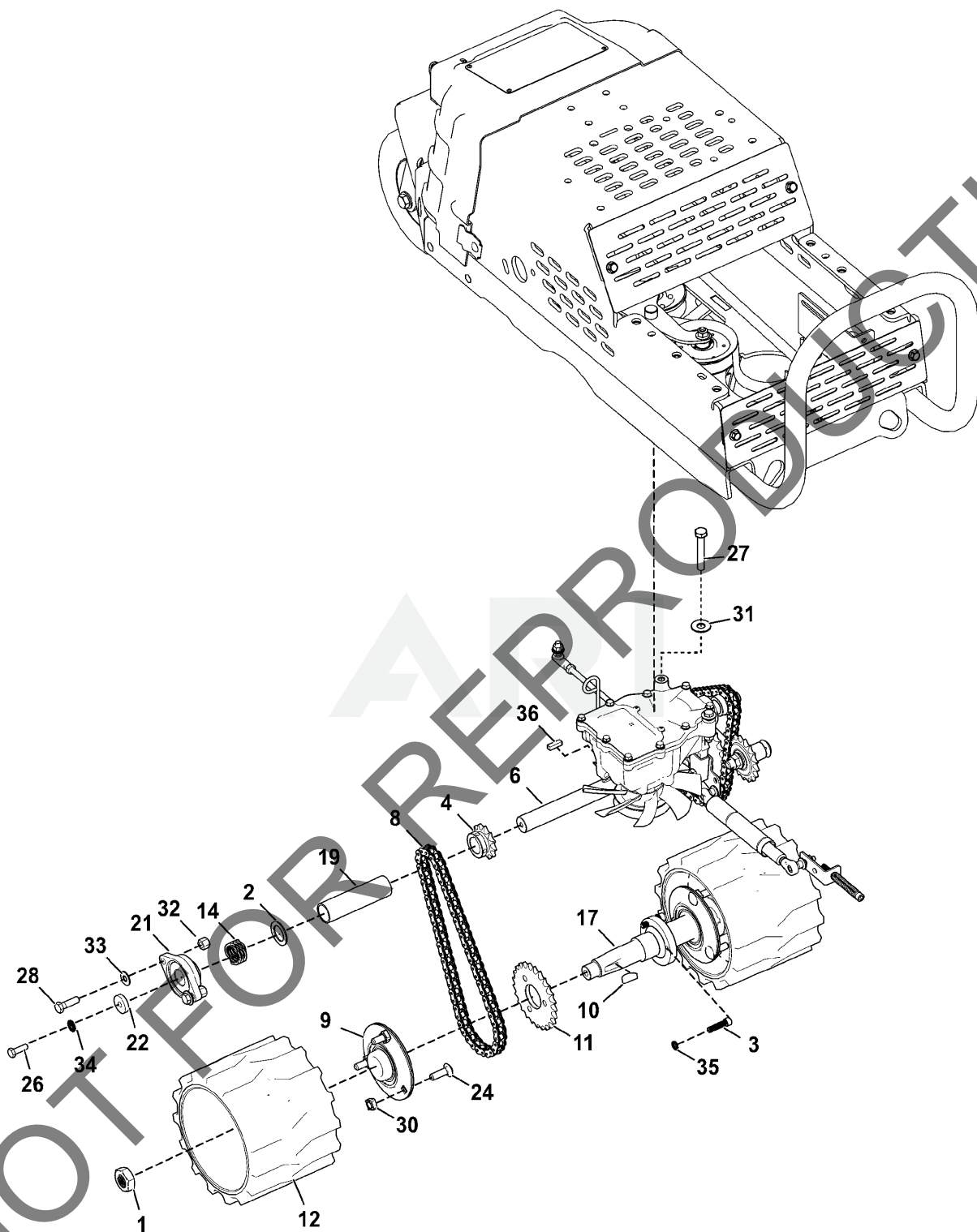


Rendered by ARI Network Services, Inc.

Frame Assembly - 5

Ref Number	Part Number	Part Description	Context Notes	Quantity
2	351303	SPRING EXTENSION .500"X5.00"		1
3	360183	BUSHING PIVOT FRAME AE		2
4	362340	BELT FINGER AE900		2
5	371222	CABLE CLAMP		4
11	373114	ARM, CLUTCH WA		1
19	373269	BELT, GATES 5L X 59 LNG BANDLESS		1
23	441150	WASHER 1.125 OD X 0.344 ID X .25 THK ZP		2
25	5107562	GROMMET, 1.00" I.D. FIT 1.38" HOLE		1
27	791079	NUT WASHER FACE		1
28	8024040	BOLT CARRIAGE 5/16"-18 X 1" ZP		2
32	8041009	SCREWCAP 1/4"-20X1 3/4" HCS ZP		1
33	8041028	SCREWCAP 5/16"-18 X 1" HCS ZP		2
34	8041056	SCREWCAP 3/8"-16X2 1/2" HCS ZP		1
36	8165001	NUT-HEX-NYLK, FLG .250"-20 ZP		3
37	8165002	NUT-HEX-NYLK, FLG .3125-18 ZP		2
38	8165003	NUT-HEX-NYLK, FLG .375"-16 ZP		5
39	8171003	WASHER 5/16" FLATWASHER Z/P		6
40	8181010	WASHER, BELLEVILLE CONTACT .323X.717X.05		2
41	900455	NUT WHIZ 1/4"-20 WASH FACE		1
42	9201072	KEY 3/16" SQ X 5/8"		1
55	373117	ARM, IDLER BELT WA		1
56	500113	PULLEY IDLER 4" OD X 3/8"		1
57	520061	PULLEY IDLER INSIDE 4"		1
58	8041053	SCREWCAP 3/8"-16 X 1 3/4" HCS ZP		2

Wheel Drive Assembly - 1 SC181H and SC181K ONLY

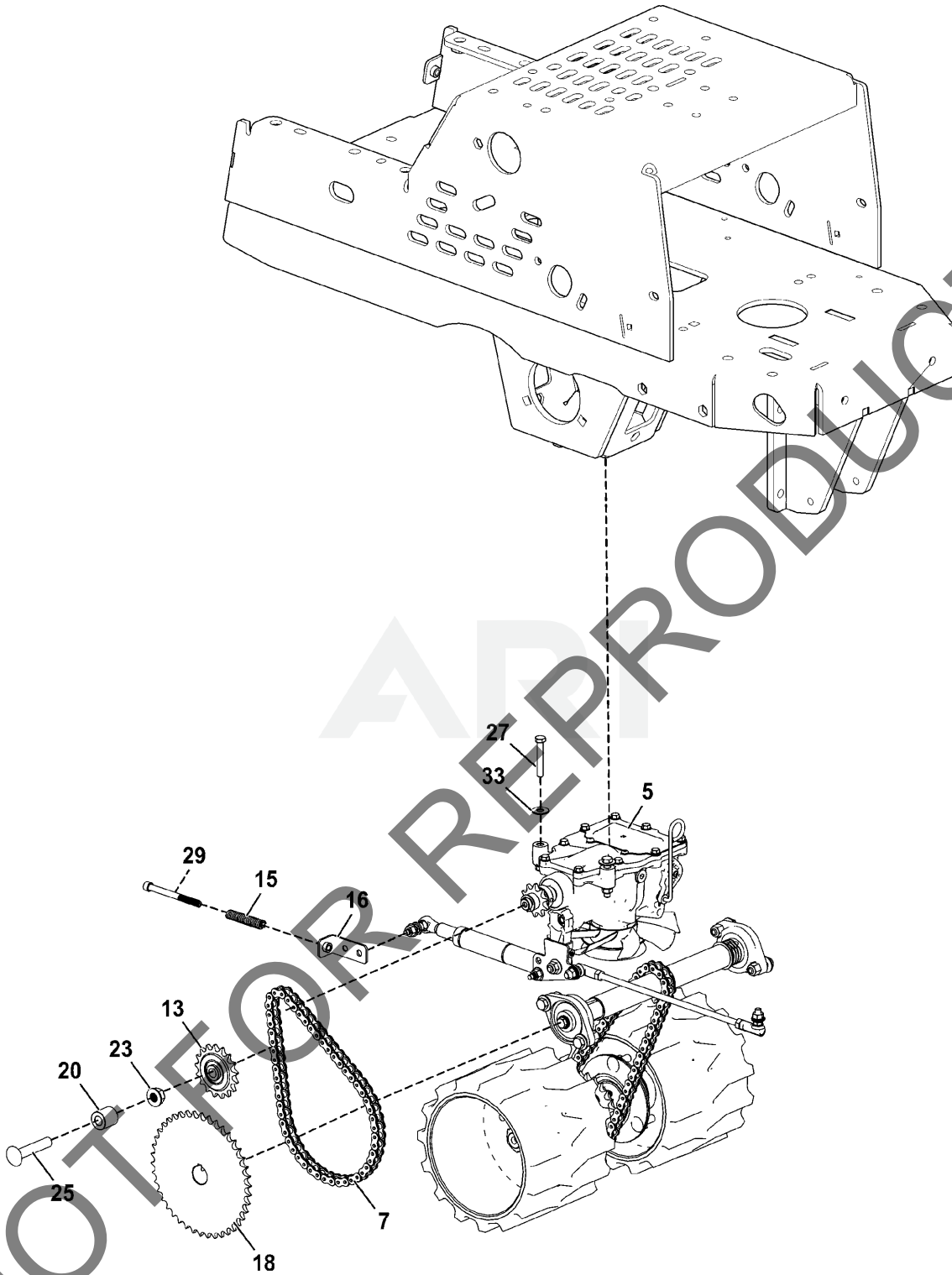


Rendered by ARI Network Services, Inc.

Wheel Drive Assembly - 1 SC181H and SC181K ONLY

Ref Number	Part Number	Part Description	Context Notes	Quantity
1	350155	NUT JAM 7/8"-14		2
2	362205	MACHINE BUSHING 1" X 1 1/2" X 14 GA		1
3	362289	SHCS 5/16"-18 X 1.25 BLK OX		3
4	371291	SPROCKET, #40B12, 1" BORE		1
6	373218	JACKSHAFT, WHEEL DRIVE		1
8	373220	CHAIN, #40 X 58 PITCHES		1
9	373221	BEARING, FLANGETTE ASSY 1.25" BORE		2
10	373226	1008 WOODRUFF		2
11	373227	SPROCKET, #40 X 25 TEETH, THREE HOLE MOU		1
12	373228	WHEEL, DRIVE SOD CUTTER		1
14	373232	SPRING, WAVE 1.000" I.D. X 0.700" LNG		1
17	373270	AXLE, DRIVE SC181H MACHINED		1
19	373402-P	SPCR-STL, LC 1.032"X1.250"X4.531" BPC		2
21	381042	CARTRIDGE BEARING		
22	441150	WASHER 1.125 OD X 0.344 ID X .25 THK ZP		2
24	8024059	BOLT CARRIAGE 3/8"-16 X 1 1/4" ZP		2
26	8041028	SCREWCAP 5/16"-18 X 1" HCS ZP		6
27	8041032	SCREWCAP 5/16"-18X2" HCS ZP		2
28	8041051	SCREWCAP 3/8"-16X1 1/4" HCS ZP		2
30	8160003	NUT LOCK 3/8"-16 HEX		4
31	8165002	NUT-HEX-NYLK, FLG .3125-18 ZP		4
32	8165003	NUT-HEX-NYLK, FLG .375"-16 ZP		2
33	8171003	WASHER 5/16" FLATWASHER Z/P		6
34	8181010	WASHER, BELLEVILLE CONTACT .323X.717X.05		6
35	8182002	WSHR-NORD LOCK 0.344" X 0.531" ZP		2
36	9201111	KEY 1/4" SQ X 0.875"		3

Wheel Drive Assembly - 2 SC181H and SC181K ONLY



Rendered by ARI Network Services, Inc.

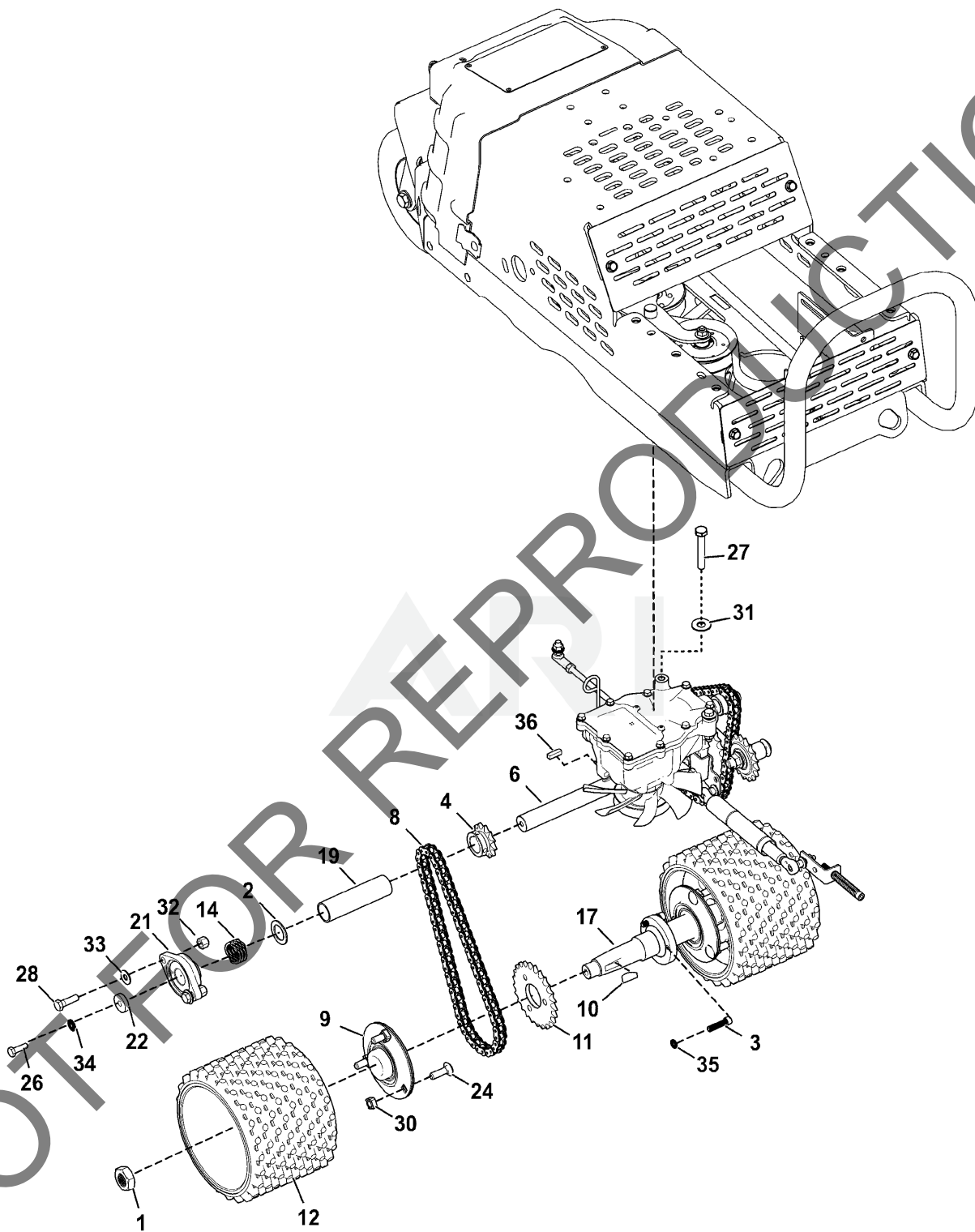
Wheel Drive Assembly - 2 SC181H and SC181K ONLY

Ref Number	Part Number	Part Description	Context Notes	Quantity
5	373019	TRANSMISSION ASSY SC181H		1
7	373219	CHAIN, #40 X 54 PITCHES		1
13	373229	SPROCKET, IDLER 17T X 1/2" BORE		1
15	373267	SPRING, COMPRESSION 3.500" LNG X .480" O		1
16	373268	BRACKET, RTN ADJUST		1
18	373317	SPROCKET, 40B42, 1.00" BORE		1
20	373403	SPACER, IDLER SPROCKET		1
23	5025396	NUT, 1/2-13 HEX NYLOCK FLANGE		1
25	8024103	BLT-RDHDSSQNK, .500"-13 X 2.750" G2 ZP		1
27	8041032	SCREWCAP 5/16"-18X2" HCS ZP		2
29	8048119	SCR-CAP, SH .3125"-18 X 3.500" G8 ZP		1
33	8171003	WASHER 5/16" FLATWASHER Z/P		6

NOT FOR REPRODUCTION

Wheel Drive Assembly - 1

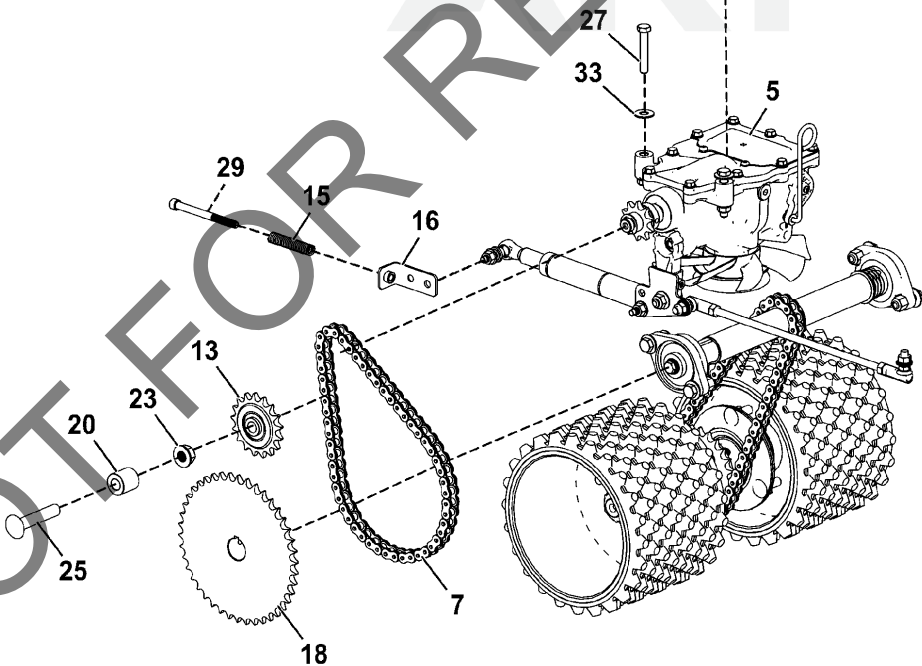
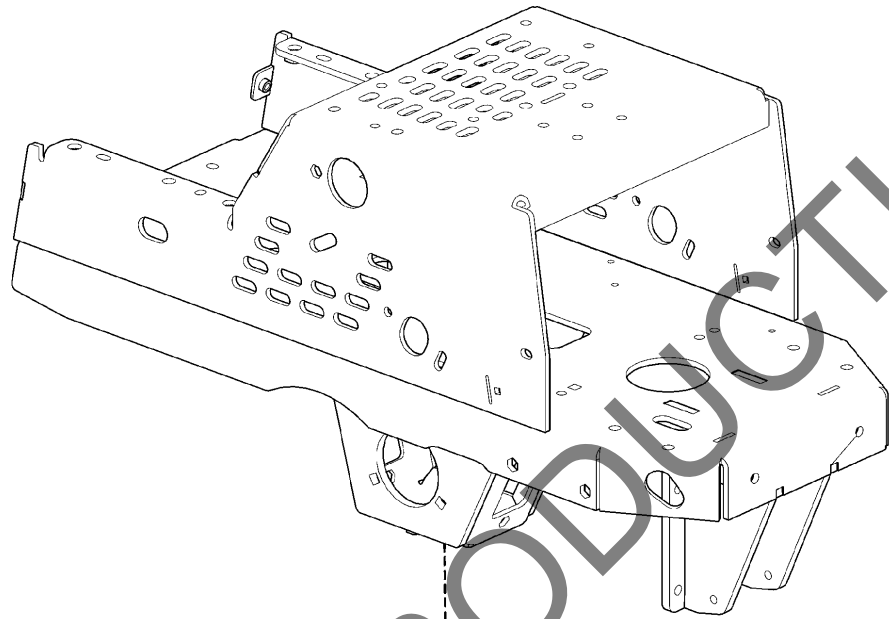
SC181HG and SC181KG ONLY



Rendered by ARI Network Services, Inc.

Wheel Drive Assembly - 1 SC181HG and SC181KG ONLY

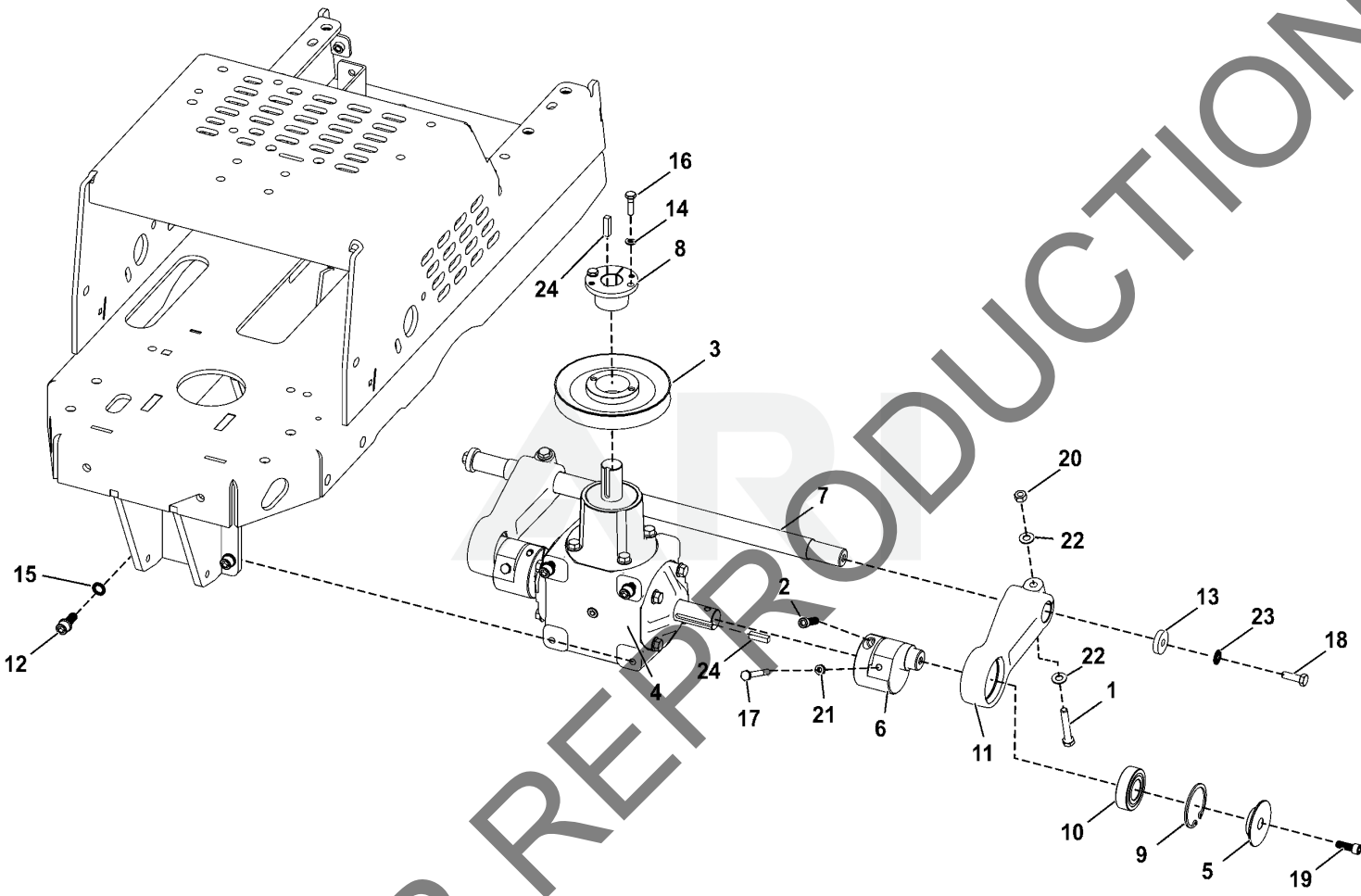
Ref Number	Part Number	Part Description	Context Notes	Quantity
1	350155	NUT JAM 7/8"-14		2
2	362205	MACHINE BUSHING 1" X 1 1/2" X 14 GA		1
3	362289	SHCS 5/16"-18 X 1.25 BLK OX		3
4	371291	SPROCKET, #40B12, 1" BORE		1
6	373218	JACKSHAFT, WHEEL DRIVE		1
8	373220	CHAIN, #40 X 58 PITCHES		1
9	373221	BEARING, FLANGETTE ASSY 1.25" BORE		2
10	373226	1008 WOODRUFF		2
11	373227	SPROCKET, #40 X 25 TEETH, THREE HOLE MOU		1
12	373321	WHEEL, DRIVE SC181H GOLF		1
14	373232	SPRING, WAVE 1.000" I.D. X 0.700" LNG		1
17	373270	AXLE, DRIVE SC181H MACHINED		1
19	373402-P	SPCR-STL, LC 1.032"X1.250"X4.531" BPC		2
21	381042	CARTRIDGE BEARING		
22	441150	WASHER 1.125 OD X 0.344 ID X .25 THK ZP		2
24	8024059	BOLT CARRIAGE 3/8"-16 X 1 1/4" ZP		2
26	8041028	SCREWCAP 5/16"-18 X 1" HCS ZP		6
27	8041032	SCREWCAP 5/16"-18X2" HCS ZP		2
28	8041051	SCREWCAP 3/8"-16X1 1/4" HCS ZP		2
30	8160003	NUT LOCK 3/8"-16 HEX		4
31	8165002	NUT-HEX-NYLK, FLG .3125-18 ZP		4
32	8165003	NUT-HEX-NYLK, FLG .375"-16 ZP		2
33	8171003	WASHER 5/16" FLATWASHER Z/P		6
34	8181010	WASHER, BELLEVILLE CONTACT .323X.717X.05		6
35	8182002	WSHR-NORD LOCK 0.344" X 0.531" ZP		2
36	9201111	KEY 1/4" SQ X 0.875"		3



Rendered by ARI Network Services, Inc.

Ref Number	Part Number	Part Description	Context Notes	Quantity
5	373019	TRANSMISSION ASSY SC181H		1
7	373219	CHAIN, #40 X 54 PITCHES		1
13	373229	SPROCKET, IDLER 17T X 1/2" BORE		1
15	373267	SPRING, COMPRESSION 3.500" LNG X .480" O		1
16	373268	BRACKET, RTN ADJUST		1
18	373317	SPROCKET, 40B42, 1.00" BORE		1
20	373403	SPACER, IDLER SPROCKET		1
23	5025396	NUT, 1/2-13 HEX NYLOCK FLANGE		1
25	8024103	BLT-RDHDSSQNK, .500"-13 X 2.750" G2 ZP		1
27	8041032	SCREWCAP 5/16"-18X2" HCS ZP		2
29	8048119	SCR-CAP, SH .3125"-18 X 3.500" G8 ZP		1
33	8171003	WASHER 5/16" FLATWASHER Z/P		6

Blade Drive Assembly



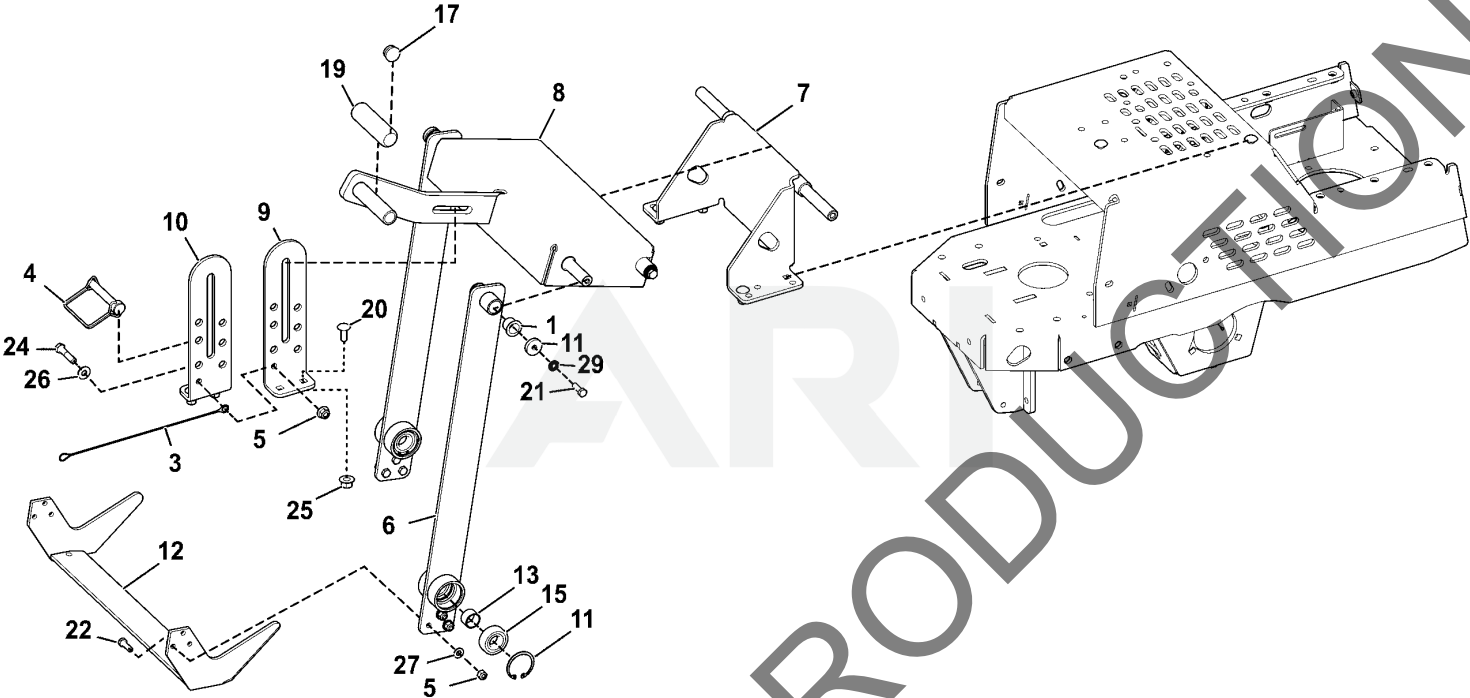
Rendered by ARI Network Services, Inc.

NOT FOR REPRODUCTION

Blade Drive Assembly

Ref Number	Part Number	Part Description	Context Notes	Quantity
1	350204	SCREWCAP 5/16-24 X 2" GR.8		2
2	362289	SHCS 5/16"-18 X 1.25 BLK OX		2
3	373230	PULLEY, BLADE DRIVE		1
4	373233	GEARBOX, SPIRAL BEVEL 2:1 CURTIS		1
5	373235	RING, RETAINING DH0-52		2
6	373237	ECCENTRIC, BLADE DRIVE SC181H		2
7	373238	BAR, PUSH		1
8	373240	BUSHING, TAPERED HUB Ø1.000" BORE		1
9	373280	BEARING, 6205 25MM BORE ARMORED SEALS		2
10	373281	WASHER, CONNECTING ROD		2
11	373347	CONNECTING ROD, SOD CUTTER SC181/240		2
12	373348	SCR-CAP, SH .375"-16 X 1.0" G8 ZP		4
13	441150	WASHER 1.125 OD X 0.344 ID X .25 THK ZP		2
14	5025718	WASHER LOCK 1/4 S/T MED		2
15	5108674	WSHR-NORD LOCK 0.406" X 0.654" ZP		4
16	8041006	SCREWCAP 1/4"-20 X 1" HCS ZP		2
17	8041012	SCREWCAP 1/4"-20X2 1/2" ZP		2
18	8041028	SCREWCAP 5/16"-18 X 1" HCS ZP		2
19	8049001	SCR-CAP, SH .3125"-24 X 0.875" G8 ZP		2
20	8149002	NUT 5/16"-24 FIN HEX Z/P		1
21	8161040	NUT LOCK, 1/4-20 LT WT TH ZP		2
22	8172008	WASHER 5/16" SAE Z/P		4
23	8181010	WASHER, BELLEVILLE CONTACT .323X.717X.05		2
24	9201113	KEY 1/4" SQ X 1.00"		3

Blade Arm & Pivot Assembly - 1

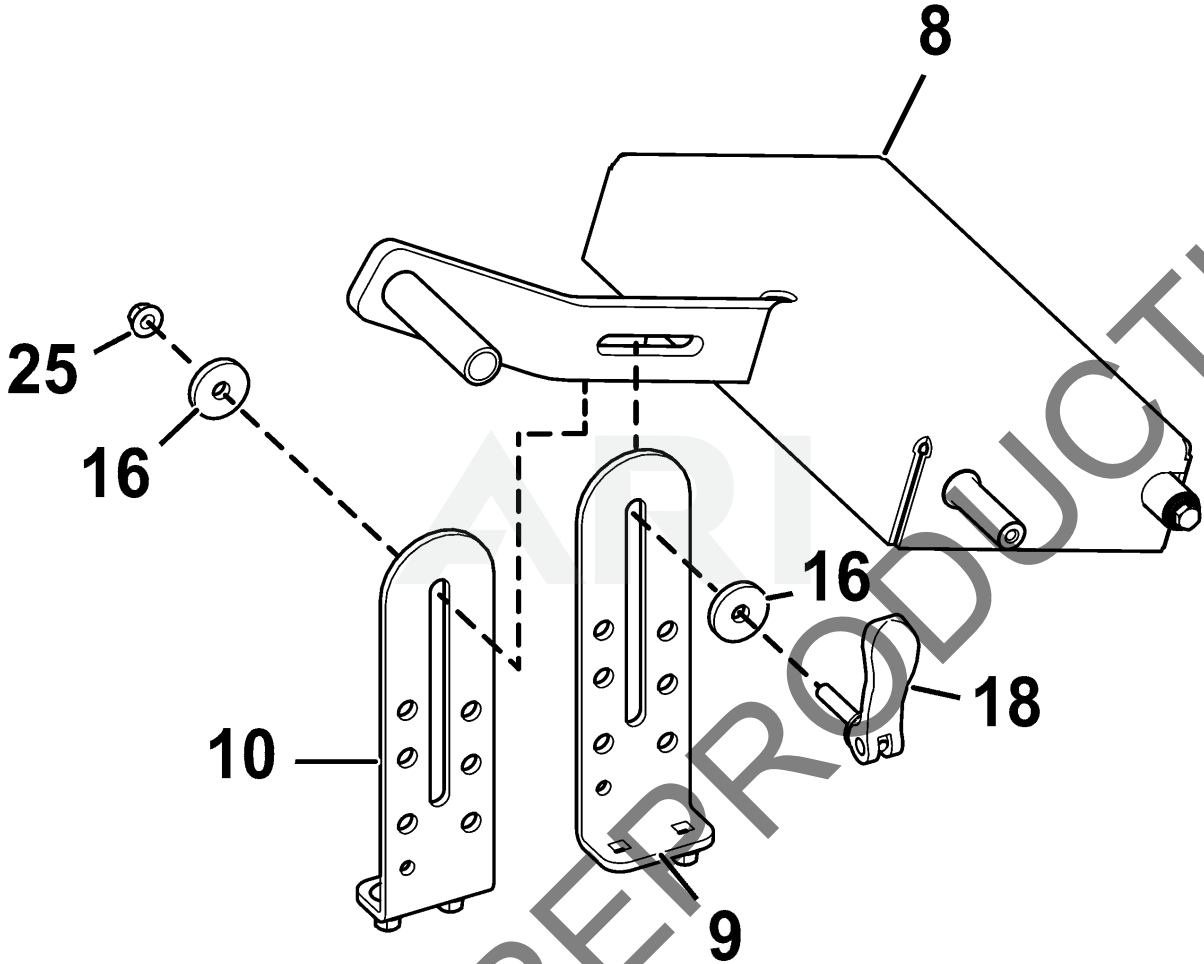


Rendered by ARI Network Services, Inc.

Blade Arm & Pivot Assembly - 1

Ref Number	Part Number	Part Description	Context Notes	Quantity
1	360183	BUSHING PIVOT FRAME AE		2
3	371283	LANYARD, 12" COATED STEEL		1
4	371284	PIN, WIRE LOCK 1/2 X 3" LG ZP		1
5	371286	NUT LOCK 5/16-18 HEX GR8		6
6	373108	ARM, BLADE SC181H WA		2
7	373110	LOWER HEIGHT ADJUST BRACKET WA		1
8	373111	BRACKET, HEIGHT ADJUST WA		1
9	373224	BRACKET, DEPTH CONTROL RH		1
10	373225	BRACKET, DEPTH CONTROL LH		1
11	373236	RING, RETAINING DHO-47		2
12	373242	WA, SC BLADE W/ LASER CLAD		1
13	373251	SPACER, BEARING BLADE DRIVE		1
15	500101	BEARING 7/8" SEALED PRESS IN		2
17	5106028	PLUG, 1" TUBE, ROUND		1
19	790179	GRIP 1" ID X 4"		1
20	8024058	BOLT CARRAIGE 3/8-16 X 1" ZP		8
21	8041028	SCREWCAP 5/16"-18 X 1" HCS ZP		2
22	8041043	SCREWAP 5/16"-18 X 1" GR 8 ZP		6
24	8041053	SCREWCAP 3/8"-16 X 1 3/4" HCS ZP		1
25	8165003	NUT-HEX-NYLK, FLG .375"-16 ZP		10
26	8171003	WASHER 5/16" FLATWASHER Z/P		3
27	8172008	WASHER 5/16" SAE Z/P		6
29	8181011	WSHR-STL, BLV, .402 X .877 X .063 CN MZ		2

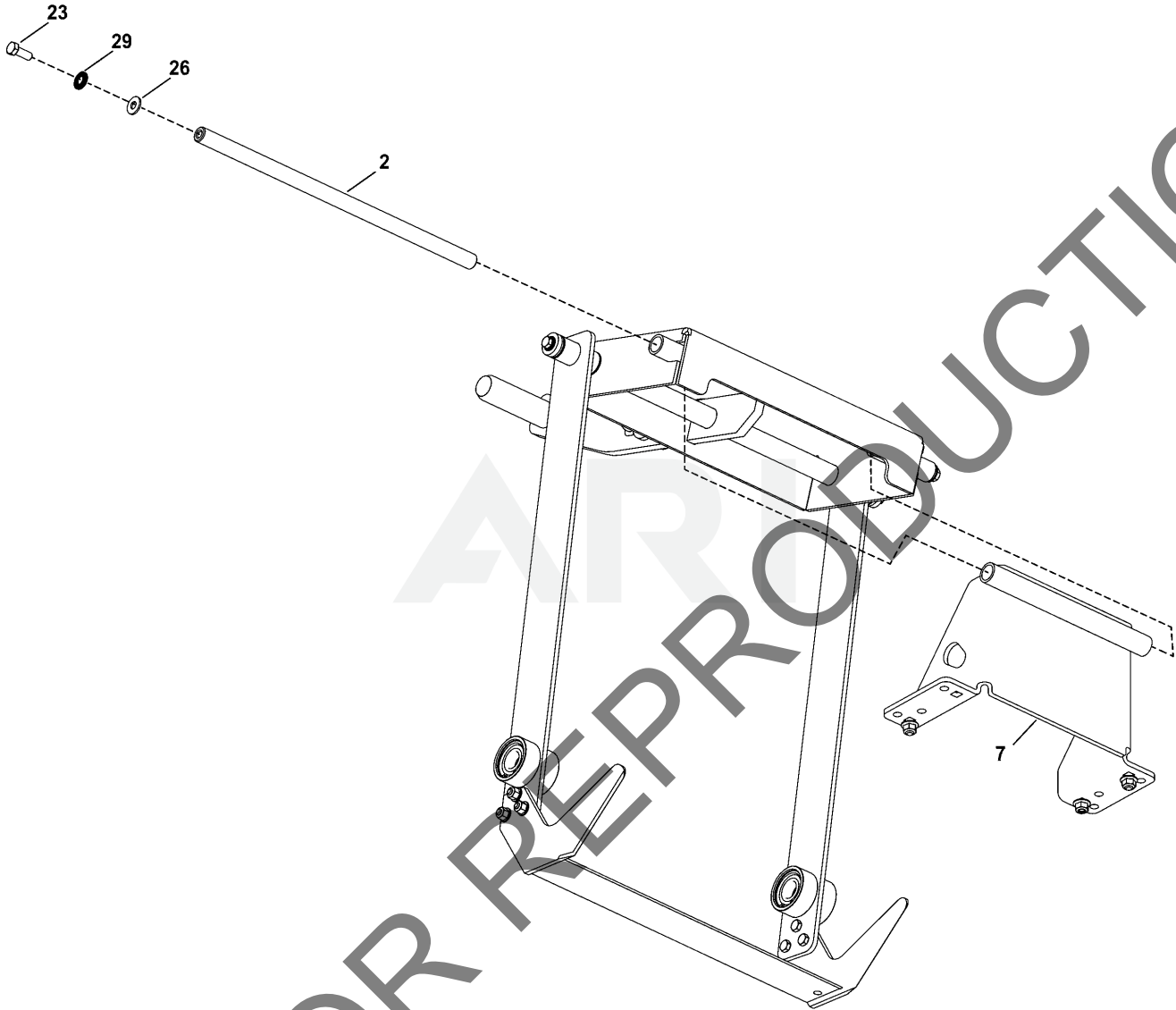
Blade Arm & Pivot Assembly - 2



Rendered by ARI Network Services, Inc.

Ref Number	Part Number	Part Description	Context Notes	Quantity
8	373111	BRACKET, HEIGHT ADJUST WA		1
9	373224	BRACKET, DEPTH CONTROL RH		1
10	373225	BRACKET, DEPTH CONTROL LH		1
16	5025714	WSHR, FLT .453 ID X 1.5 OD X .25 THK SPC		2
18	5108815	LEVER, CAM LOCK		1
25	8165003	NUT-HEX-NYLK, FLG .375"-16 ZP		10

Blade Arm & Pivot Assembly - 3

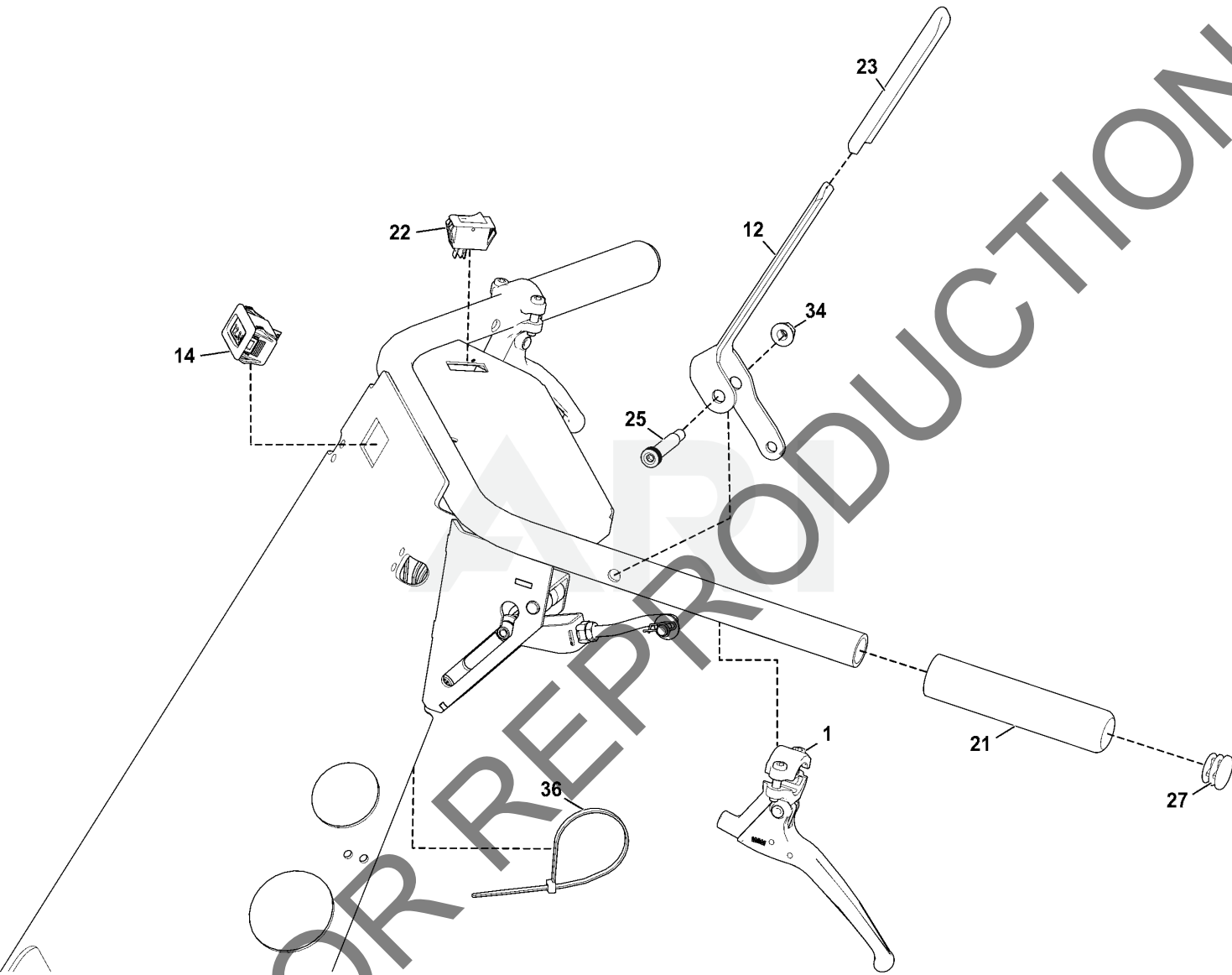


Rendered by ARI Network Services, Inc.

Blade Arm & Pivot Assembly - 3

Ref Number	Part Number	Part Description	Context Notes	Quantity
2	371259	SHAFT PIVOT DEPTH		1
7	373110	LOWER HEIGHT ADJUST BRACKET WA		1
23	8041050	SCREWCAP 3/8"-16 X 1" HCS ZP		2
26	8171003	WASHER 5/16" FLATWASHER Z/P		3
29	8181011	WSHR-STL, BLV, .402 X .877 X .063 CN MZ		2

Handle Assembly - 1



Rendered by ARI Network Services, Inc.

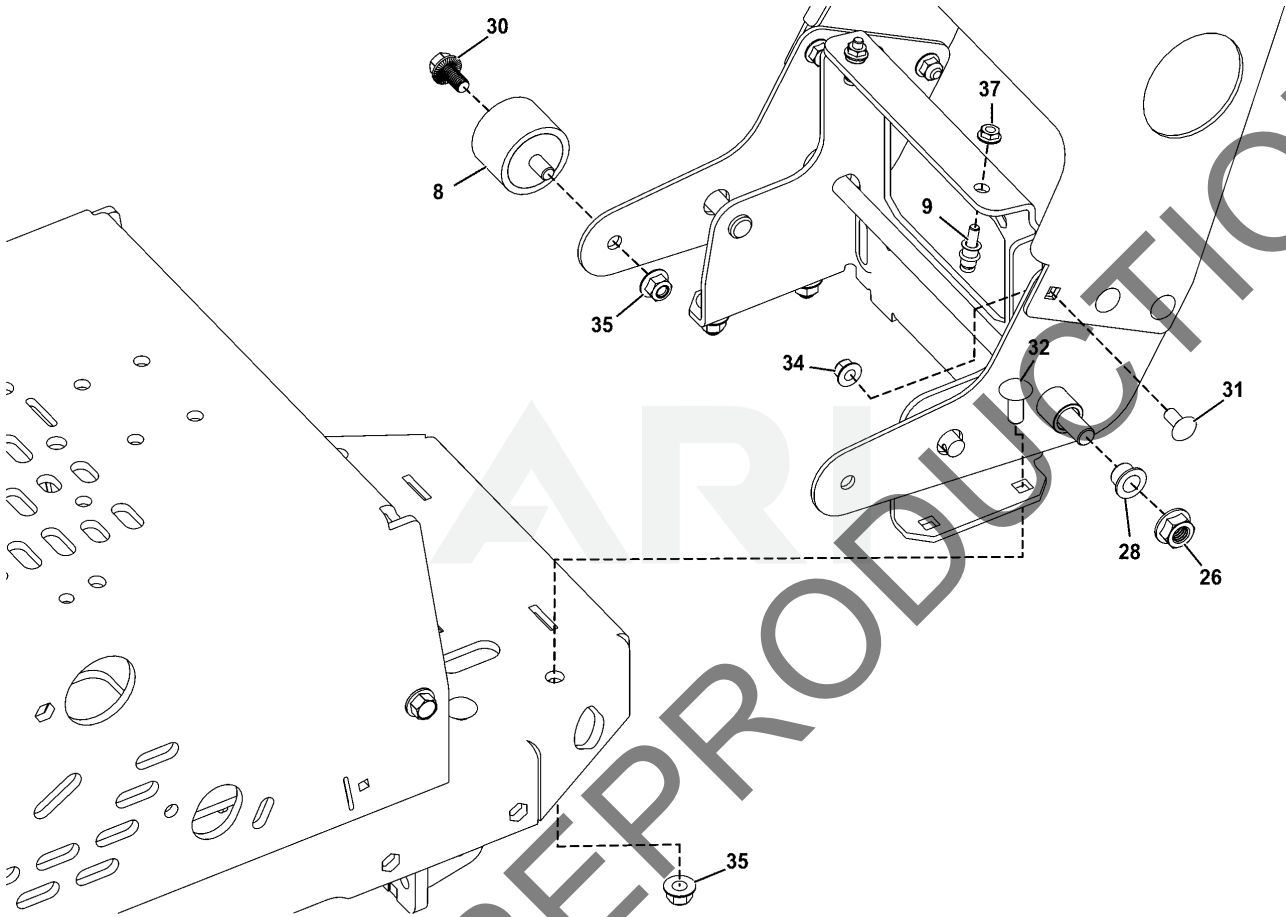
NOT FOR REPRODUCTION

Handle Assembly - 1

Ref Number	Part Number	Part Description	Context Notes	Quantity
1	351209	CONTROL MAGURA		2
12	373289	LEVER, CONTROL BLADE SC181H		1
14	373305	HOURMETER, INDUCTIVE PANEL MOUNT		1
21	500267	GRIP HANDLE		2
22	500281	SWITCH LKG RKR B&S #493521		1
23	500379	GRIP LEVER 0.125" X 1" X 5" ORANGE		2
25	501313	BOLT SHOULDER 3/8 X 1 1/2"		1
27	5106028	PLUG, 1" TUBE, ROUND		2
34	8165002	NUT-HEX-NYLK, FLG .3125-18 ZP		7
36	900407	TY WRAP		5

NOT FOR REPRODUCTION

Handle Assembly - 2

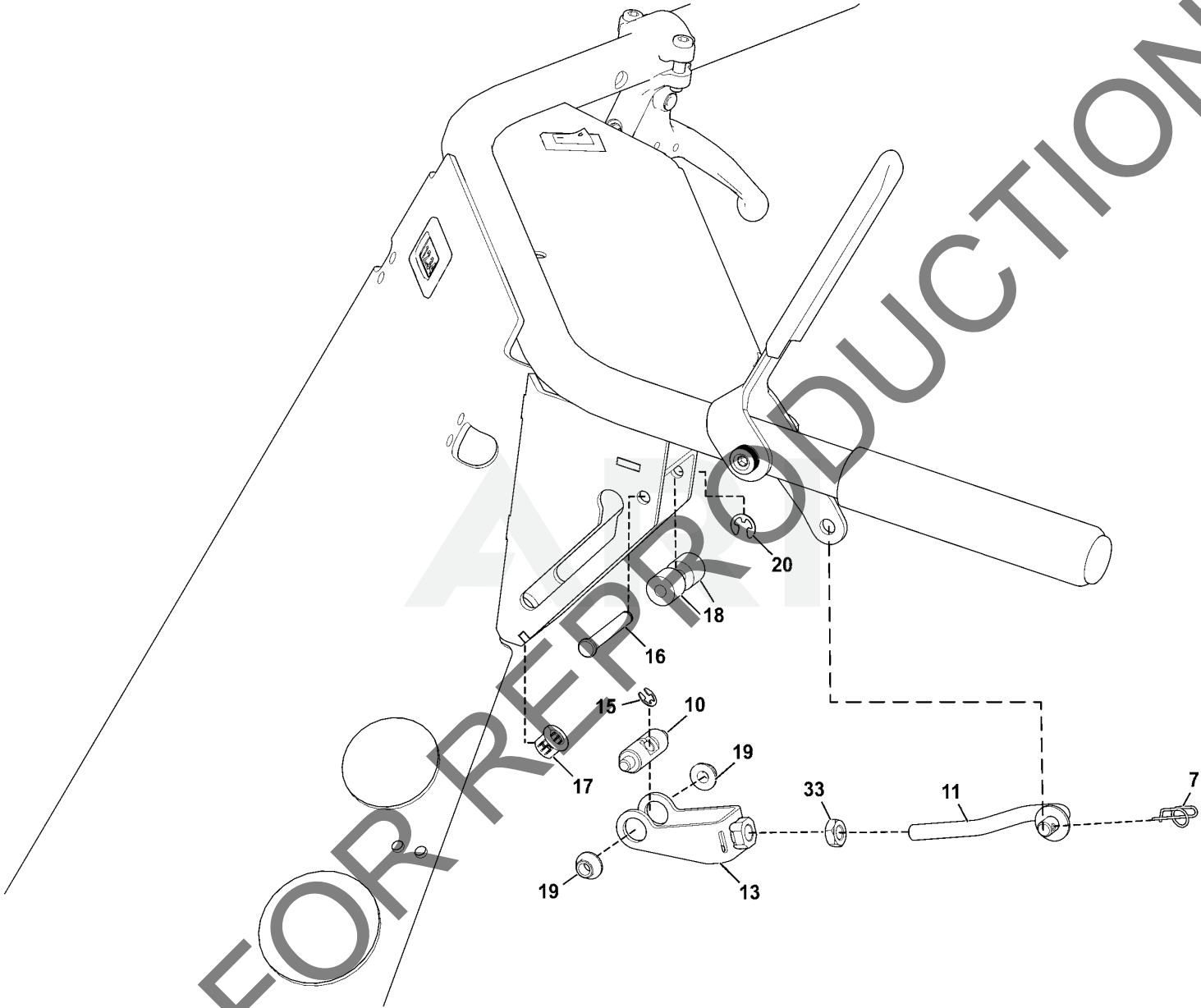


Rendered by ARI Network Services, Inc.

Handle Assembly - 2

Ref Number	Part Number	Part Description	Context Notes	Quantity
8	373257	ISOLATOR, VIBRATION HANDLE SC181H		2
9	373258	STUD, BLIND THREADED 1/4"-20		2
26	5025396	NUT, 1/2-13 HEX NYLOCK FLANGE		2
28	5108816	BSHG-FL .500"X.625"X.500" .875"X.062" IR		4
30	791080	SER HEX WASHER 3/8" - 16		2
31	8024039	BOLT CARRAIGE 5/16"-18 X 3/4" ZP		6
32	8024058	BOLT CARRAIGE 3/8-16 X 1" ZP		4
34	8165002	NUT-HEX-NYLK, FLG .3125-18 ZP		7
35	8165003	NUT-HEX-NYLK, FLG .375"-16 ZP		6
37	900455	NUT WHIZ 1/4"-20 WASH FACE		2

Handle Assembly - 3



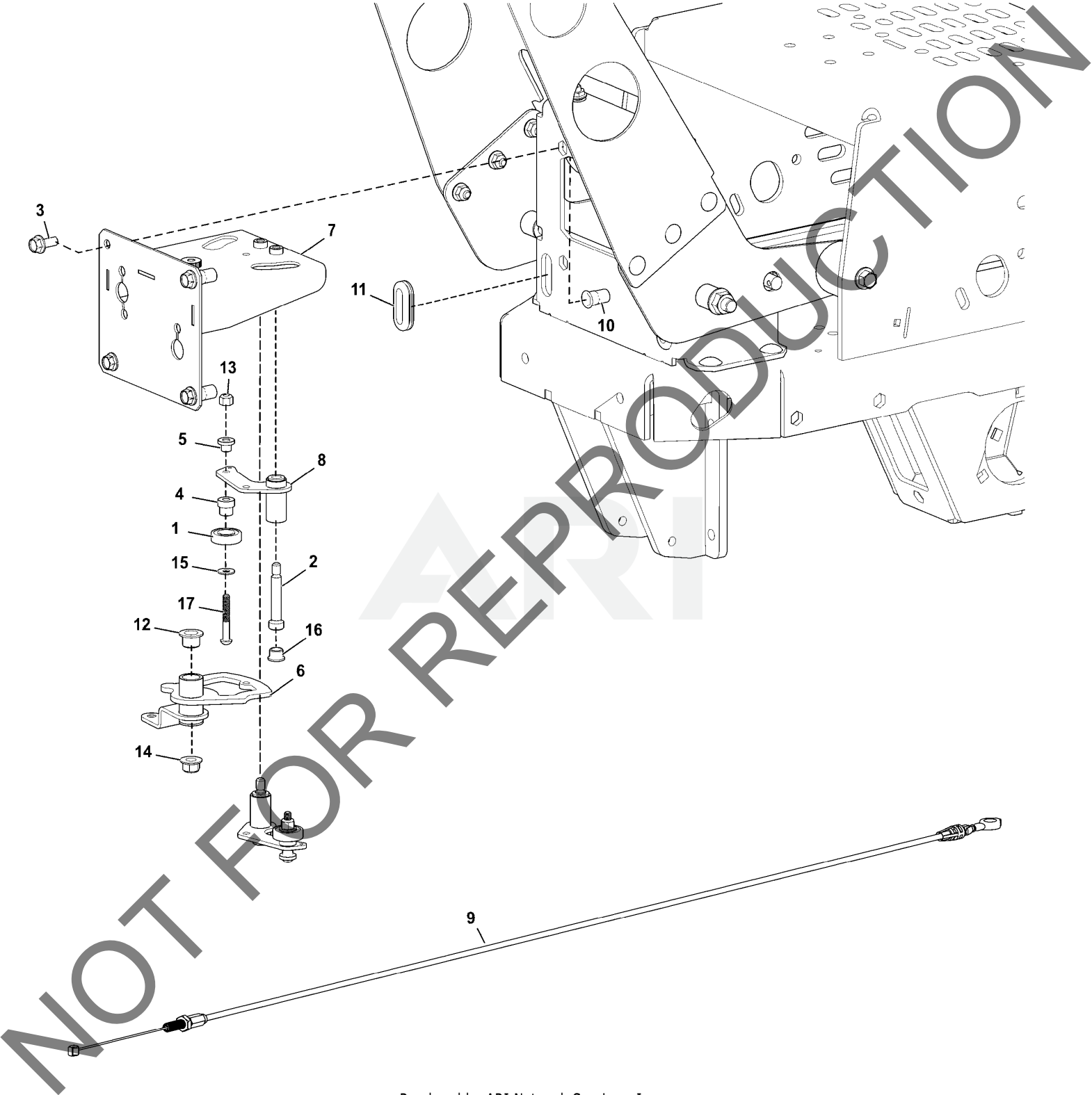
Rendered by ARI Network Services, Inc.

Handle Assembly - 3

Ref Number	Part Number	Part Description	Context Notes	Quantity
7	373216	PIN, RUE RING 0.313" ZP	1	
10	373287	BARREL FITTING, CABLE SLIDE	1	10
11	373288	LINK, WIRE CLUTCH SC181H	1	11
13	373290	CLEVIS, CLUTCH CONTROL SC181H	1	13
15	373306	RING, RETAINING 7/32 E-CLIP SE-21	1	15
16	373307	PIN CLEVIS 1/4" X 1 11/16" ZP	1	16
17	373308	BUSHING, SPLIT 0.350" NYLON BLACK	1	17
18	373309	SPACER, ROUND 5/8 OD X .252 ID X 1/2 LNG	2	18
19	373310	BUSHING, FLANGE .250" I.D. IGUS	2	19
20	430327	RING RETAINING 5/16"	1	20
33	8143002	NUT JAM 5/16" NC	1	33

NOT FOR REPRODUCTION

Speed Control Assembly

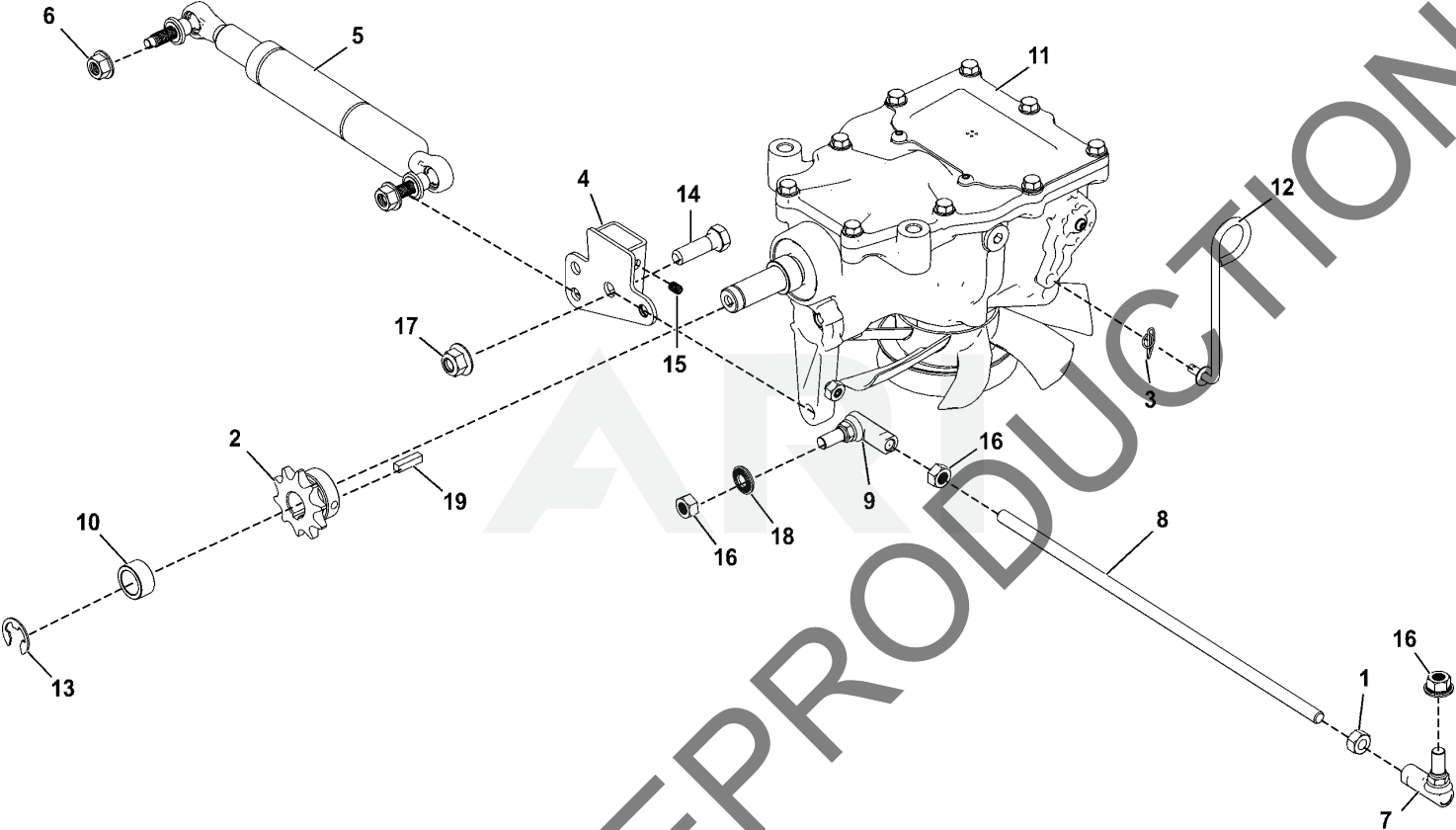


Rendered by ARI Network Services, Inc.

Speed Control Assembly

Ref Number	Part Number	Part Description	Context Notes	Quantity
1	351257	BEARING 1/2" ID X 1.125 OD		2
2	351258	BOLT SHOULDER 3/8" X 1 3/4"		2
3	351264	SER HEX WASHER FLNG SCREW 5/16"-18 X 3/4"		4
4	351347	SPACER. SPEED CONTROL STEPPED PM		2
5	351348	SPACER, SPEED CONTROL EYELET PM		2
6	373112	CAM, SPEED CONTROL WA		1
7	373113	BRACKET, SPEED CONTROL WA		1
8	501114	BELLCRANK SPEED CONTROL BC26		2
9	501276-S	CABLE SPEED CONTROL RT		2
10	501311	NUT INSERT HEX 5/16-18		4
11	520092	GROMMET 1.25" HOLE		1
12	5108816	BSHG-FL .500"X.625"X.500" .875"X.062" IR		2
13	8160001	NUT LOCK 1/4"-20 HEX Z/P		2
14	8165003	NUT-HEX-NYLK, FLG .375"-16 ZP		1
15	8172007	WASHER 1/4"SAE9/32"X5/8"X1/16"		2
16	840078	BUSHING 3/8 ID X 1/2 OD X 3/8		4
17	840199	SCREWCAP 1/4-20 X 1 3/4 SKT BUT HD		2

Transmission Assembly



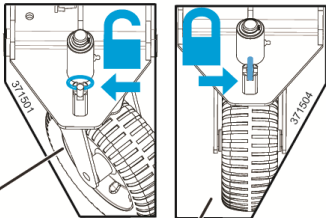
Rendered by ARI Network Services, Inc.

NOT FOR REPRODUCTION

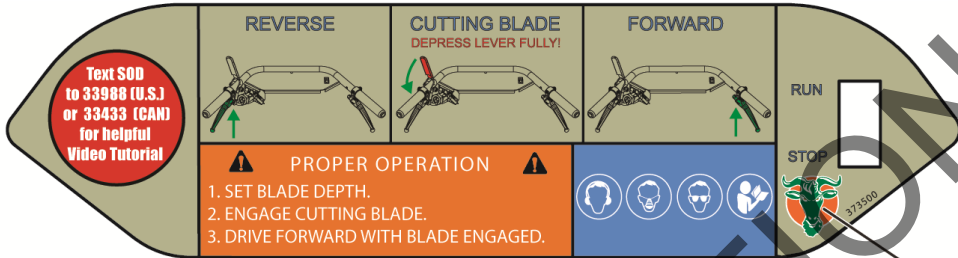
Transmission Assembly

Ref Number	Part Number	Part Description	Context Notes	Quantity
1	362322	NUT 5/16"-24 LEFT HAND FIN HEX ZP		1
2	371212	SPROCKET 40B10 5/8" BORE		1
3	371275	1/4" RUE RING		1
4	373106	BRACKET RTN ASSEMBLY WA		1
5	373231	DAMPER, RTN AVM		1
6	373265	NUT-HEX-FGLK, M8 X 1.25 ZP		2
7	373272	BALL JOINT, ESL312		1
8	373273	ROD, PUSH TRANSMISSION SC181H		1
9	373274	BALL JOINT, ESL312		1
10	373313	SPACER, SPROCKET TRANSMISSION		2
11	373332	TRANSMISSION, RT310 W/7" FAN INSTALLED.		1
12	382324	ROD, TRANSMISSION BYPASS		1
13	430226	RING RETAINING 5/8"		1
14	8041051	SCREWCAP 3/8"-16X1 1/4" HCS ZP		1
15	8083122	SET SCREW 1/4" - 20X.375 CUP POINT		1
16	8149002	NUT 5/16"-24 FIN HEX Z/P		3
17	8165003	NUT-HEX-NYLK, FLG .375"-16 ZP		1
18	8181010	WASHER, BELLEVILLE CONTACT .323X.717X.05		2
19	9201074	KEY 3/16" SQ X 3/4"		1

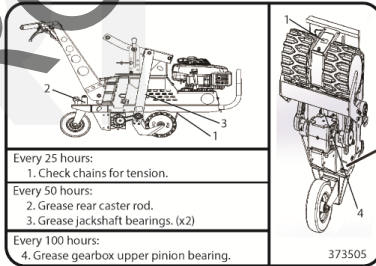
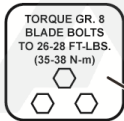
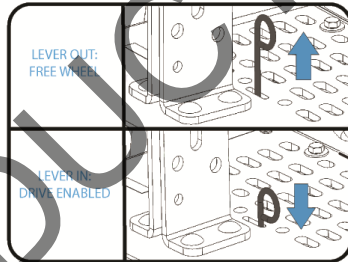
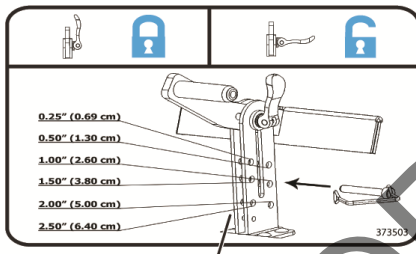
Decals



5



6



14



Rendered by ARI Network Services, Inc. 1

Decals

Ref Number	Part Number	Part Description	Context Notes	Quantity
1	100251	LABEL ROUND TEXT-TO-MANUAL		1
2	100387	LABEL ROUND LOGO 3.5"		2
3	100443	LABEL, P65 WARNING - MACHINE		1
4	371501	LABEL CASTER LOCK LEFT		1
5	371504	LABEL CASTER LOCK RIGHT		1
6	373500	LABEL CONSOLE SC181H		1
7	373501	LABEL BLADE ARM SC181H		2
8	373503	LABEL HEIGHT ADJUST SC181H		1
9	373504	LABEL DRIVE ENABLE SC181H		1
10	373505	LABEL SERVICE INSTRUCTIONS SC181H		1
11	373513	LABEL, BADGING TOP 18" SOD CUTTER		1
12	830502	LABEL OIL CHAIN VQSP		2
13	400424	LABEL WARNING OPEI		2
14	100263	LABEL, THROTTLE W/CHOKE	SC181K & SC181KG ONLY	1

NOT FOR REPRODUCTION