



QV PUSH Owner's Manual



QV PUSH VACUUM Owner's Manual QV550, QV550H

Accessories

ADJUSTABLE HANDLE	VACUUM HOSE KIT	PARKING BRAKE
Allows for the handle to be raised or lowered for comfort.	5" (127mm) x 10' (3m) collapsible hose for vacuuming in hard-to-reach areas	Locks the rear wheels to prevent freewheeling.
P/N 831614	P/N 831018	P/N 831609

Debris bags and Filter

DEBRIS BAG SKIRT	STANDARD DEBRIS BAG	HOOD FILTER	DEBRIS AND DUST SOCK
Directs dust away from the operator.	Standard on QV models. For dusty conditions.	Filters out dust from vacuum exhaust.	Traps dust keeping it away from the operator.
P/N 831268	P/N 831613	P/N 831226	P/N 831282



QV PUSH Owner's Manual

CONTENTS

SPECIFICATIONS AND SOUND/VIBRATION	3
INSTRUCTION LABELS	4
PACKING CHECKLIST AND ASSEMBLY	5
OPERATION AND BAG CARE	6-7
MAINTENANCE AND TROUBLESHOOTING	8-9
ILLUSTRATED PARTS & PARTS LISTS	10-13

Not for Reproduction



QV PUSH Owner's Manual

SPECIFICATIONS

	QV550	QV550H
HP	5.5 (4.1 kW)	5.5 (4.1 kW)
Engine: Type	12H1320118B8	GX160T1QX2
Engine: Fuel Capacity	3.0 qt. (2.84 L)	3.88 qt. (3.6 L)
Engine: Oil Capacity	0.66 qt. (0.62 L)	0.69 qt. (0.65 L)
Total Unit Weight:	180# (81.6 kg)	175# (73.4 kg)
Overall Length	63" (1.6m)	63" (1.6m)
Overall Width	33" (0.84m)	33" (0.84m)
Overall Height	51" (1.3 m)	51" (1.3 m)
Max. operating slope	20 ⁰	20 ⁰
Sound at operators ear	77 dBa	77 dBa
In accordance with 2000/14/EEC	97 dBa	97 dBa
Vibration at operator position	0.47g (4.64m/s ²)	0.47g (4.64m/s ²)

SOUND



L_{WA}

SOUND LEVEL 77 dB(a) at Operator Position
97 dB

Sound tests were conducted in accordance with 2000/14/EEC, and were performed on 3-28-12 under the conditions listed below.

⚠ Sound power level listed is the highest value for any model covered in this manual. Please refer to the serial plate on the unit for the sound power level for your model.

General Conditions:

Temperature:

Wind Speed:

Wind Direction:

Humidity:

Barometric Pressure:

Sunny

61°F (16°C)

6 mph (10 kmh)

East North East

86%

30.01"Hg (762 mm Hg)

VIBRATION DATA

VIBRATION LEVEL 0.47g (4.64m/s²)

Vibration levels at the operator's handles were measured in the vertical, lateral and longitudinal directions using calibrated vibration test equipment. Tests were performed on 3-29-12 under the conditions listed below.

General Conditions:

Temperature:

Wind Speed:

Wind Direction:

Humidity:

Barometric Pressure:

Sunny

57°F (14°C)

16 mph (25.7kph)

East

89%

29.9Hg (101.3kpa)



QV PUSH Owner's Manual

INSTRUCTION LABELS

The labels shown below were installed on your BILLY GOAT® QV Vacuum. If any labels are damaged or missing, replace them before operating this equipment. Item numbers from the Illustrated Parts List and part numbers are provided for convenience in ordering replacement labels. The correct position for each label may be determined by referring to the Figure and Item numbers shown.

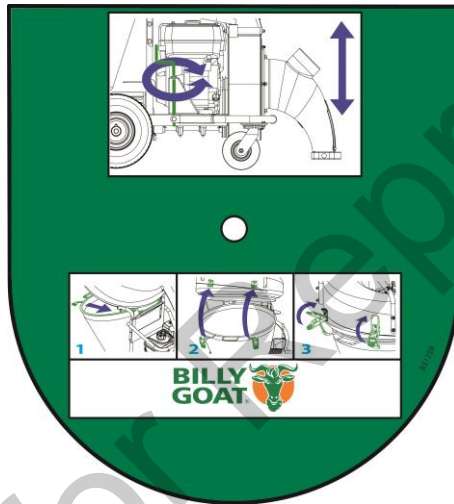
LABEL WARNING
ITEM #35 P/N 831265



LABEL THROTTLE
ITEM #104 P/N 810656



INSTRUCTION LABEL
ITEM # 37 P/N 831259



ENGINE LABELS

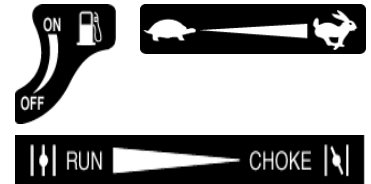
HONDA

- READ OWNER'S MANUALS BEFORE OPERATION.
- LIRE LE MANUEL D'UTILISATEUR AVANT USAGE.
- VOR INBETRIEBNAHME UNBEDINGT BEDIENUNGSANLEITUNG DURCHLESEN.
- NO UTILIZAR SIN ANTES NO HABER LEIDO EL MANUAL.



BRIGGS & STRATTON

- WARNING**
- Read and follow Operating Instructions before running engine.
 - Gasoline is flammable. Allow engine to cool at least 2 minutes before fueling.
 - Engines emit carbon monoxide, DO NOT run in enclosed area.





QV PUSH Owner's Manual

PACKING CHECKLIST

Your Billy Goat is shipped from the factory in one carton, completely assembled except for the nozzle and handle.



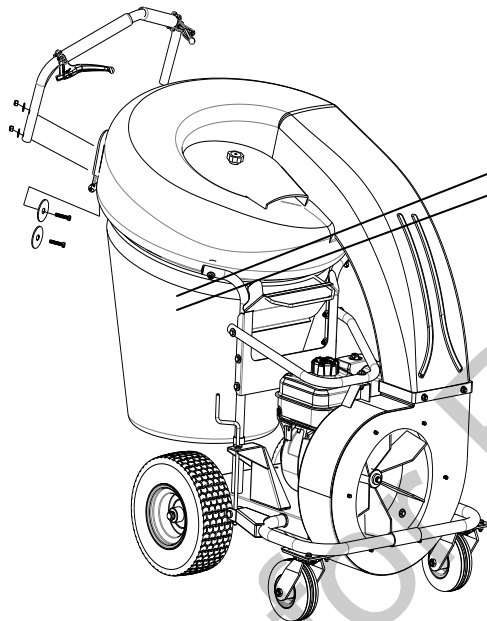
READ all safety instructions before assembling unit.
TAKE CAUTION when removing the unit from the box.



PUT OIL IN ENGINE BEFORE STARTING

PARTS BAG & LITERATURE ASSY

Warranty card P/N- 400972, Operator's Manual P/N-831504, Declaration of Conformity P/N-831503. General Safety and Warnings Manual P/N-100294



Boxing Parts Checklist

- Debris Bag P/N-831225
- Dust Sock P/N-831268
- Front Nozzle P/N-831606
- Literature Assy P/N-831021
- Screwcap 5/16"-18 x 1 3/4 qty 4
P/N-8041031
- Washer 2" OD x .344 ID qty 4
P/N-810652
- Washer 5/16" Flat qty 4
P/N-8171003
- Nut Lock 5/16" – 18 qty 4
P/N-8160002
- Briggs & Stratton 5.5 HP
- Honda 5 HP

ASSEMBLY

NOTE: Items in () can be referenced in the Parts Illustrations and Parts Lists on pages 10-13

1. **REMOVE** the unit from the box. Be careful as not to damage the unit.
2. **REMOVE** the bag and attach the handle to the hood using the hardware from the parts bag. The large washer should be on the inside and the bolt should run from the inside of the hood out. The arch of the handle should be facing to the front of the machine and the cables should not be twisted around each other. *NOTE:* The left cable should run to the right side of the transmission and right cable to the left of the transmission. Cable twisting will interfere with the operation of the machine and will cause premature cable wear.
3. **ATTACH** the front nozzle (item 7) to the housing and secure it with the serrated hex nuts (item 58) located in the parts bag.



QV PUSH Owner's Manual

OPERATION

VACUUM OPERATION

⚠ WARNING: The maximum RPM's on the unit's engine are set. Altering them from the factory settings could potentially damage the unit and void warranty.

VACUUM NOZZLE HEIGHT ADJUSTMENT: Adjust by turning the knob clockwise to increase height and counter-clockwise to lower it. Adjust nozzle height according to surface conditions and debris size. For vacuuming on flat surfaces, set nozzle 1/2" (12.7 mm) to 5/8" (15.8 mm) above ground. Adjust higher for uneven terrain and turf.

FOR MAXIMUM PICKUP: Adjust nozzle close to debris, but without blocking airflow into the nozzle. *NOTE:* Never bury nozzle into debris.

✋ ⚠ CLEARING A CLOGGED NOZZLE & EXHAUST: Turn engine off and wait for impeller to stop completely and disconnect spark plug wire. Wearing durable gloves, remove clog, this may require removing the front nozzle.

⚠ DANGER, the clog may contain sharp materials. Reconnect spark plug wire.

DEBRIS BAG

Debris bags are normal replaceable wear items.

NOTE: Frequently empty debris to prevent bag overloading with more weight than you can lift. Use the dust skirt when debris will be vacuumed in dusty conditions.

DO NOT place bag on or near hot surface, such as engine. Run engine at 1/2 throttle for first 1/2 hour to condition new bag. Your new bag requires a break-in period to condition the pores of the material against premature blockage. The entire bag surface serves as a filter, and must be able to breathe to have good vacuum performance. Be sure engine has come to a complete stop before removing or emptying bag.

HOOD FILTER

Hood filters are normal replaceable wear items. The hood filter is for use in dry dusty conditions only. **DO NOT** get the filter wet. Clean with light compressed air only.

DUST SOCK

Dust socks are normal replaceable wear items. See next page for dust sock care.

DUSTY CONDITIONS

This vacuum is designed for picking up trash, organic material and other similar debris. However, many vacuums are used where dust is mixed with trash. Your unit can intermittently vacuum in dusty areas. Dust is the greatest cause of lost vacuum performance. However, following these rules will help maintain your machine's ability to vacuum in dusty conditions:

- Run machine at idle to quarter throttle.
- The debris bag must be cleaned more frequently. A vacuum with a clean, pillow soft bag will have good pickup performance. One with a dirty, tight bag will have poor pickup performance. If dirty, empty debris and vigorously shake bag free of dust. Having one or more spare debris bags is a good way to reduce down time while dirty bags are being cleaned. **DO NOT** leave debris in bag while in storage.



QV PUSH Owner's Manual

DUST SOCK CARE AND MAINTENANCE

Purpose: The dust sock acts as a secondary filter lowering the amount of dust that escapes the bag.

Dust socks are to be used in dry and dusty conditions **ONLY**. Using the dust sock in damp or wet conditions may damage the dust sock and decrease the effectiveness of the filter.

The dust sock may be installed by simply attaching the mating Velcro strips between the bag and the dust sock. Over time the dust sock will begin to fill with dust during use. Periodically remove the dust sock, empty the loose dust and clean the sock. For a light clean, simply shake the sock, for a deep clean, see below. To remove the sock, simply separate the Velcro.



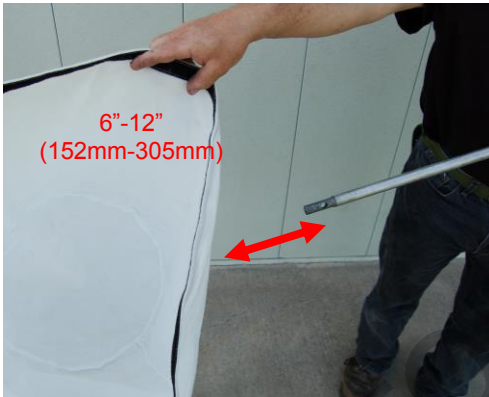
Dust Sock Care Information:



DO NOT STRIKE THE BAG WITH OR AGAINST OBJECTS



DO NOT SNAG THE BAG



LIGHTLY CLEAN WITH COMPRESSED AIR ONLY, FROM THE OUTSIDE IN. KEEP THE NOZZLE 6-12 INCHES FROM FABRIC



DO NOT GET WET

Dust socks are normal replaceable wear items. Replacement P/N- 831282



QV PUSH Owner's Manual

MAINTENANCE

NOTE: Items in () can be referenced in the Parts Illustrations and Part Lists on pages 10-13.

PERIODIC MAINTENANCE

Periodic maintenance should be performed at the following intervals:

Maintenance Operation	Every Use (daily)	Every 5 hrs (daily)	Every 10 Hrs	Every 25 Hrs	Every 50 Hrs
Inspect for loose, worn or damaged parts		•			
Clean debris bag	•				
Check tire pressure	•			•	
Engine (See Engine Manual)					
Check for excessive vibration		•			
Grease zerks					•

Grease: Wheels, Casters, and Shaft Bearings.

Tire air pressure: Check at regular intervals & maintain: Rear SP 13" tires at **20 psi.** (137.9 kPa).

IMPELLER REMOVAL

1. Disconnect spark plug wire.
2. Secure the unit to keep it from moving.
3. Remove the nozzle (item 7) from the housing, then remove the plate it was attached to (item 30).
4. Walk the belt (item 22) off of the lower pulley (item 23) and then slide it off of the impeller groove. If you cannot walk it off of the bottom pulley loosen the bearings (item 24) on the underside this will allow a little more play in the pulley.
5. Slide belt out of belt groove in impeller hub drive pulley.
6. Remove impeller bolt and lock washer.
7. If impeller slides off freely, proceed to (step 12). **(Do not drop impeller).**
8. If impeller does not slide off crankshaft, place two crowbars between impeller and housing on opposite sides. Pry impeller away from engine until it loosens. *A penetrating oil can help loosen a stuck impeller.*
9. Slide impeller off of crank shaft and remove impeller from housing.
10. Reinstall new impeller, new impeller bolt and lock washer in reverse order of removal. (See the Parts Illustration on pages 10-13 for parts break-down and Parts List on page 10 for proper impeller bolt torque specifications.)
11. When impeller is installed, slide the belt back into the groove on the hub and walk it back onto the bottom pulley. Retighten the bearings if they were loosened.
12. Reattach nozzle plate and nozzle in reverse order of removal.
13. Reconnect spark plug wire.
14. Check for proper operation.



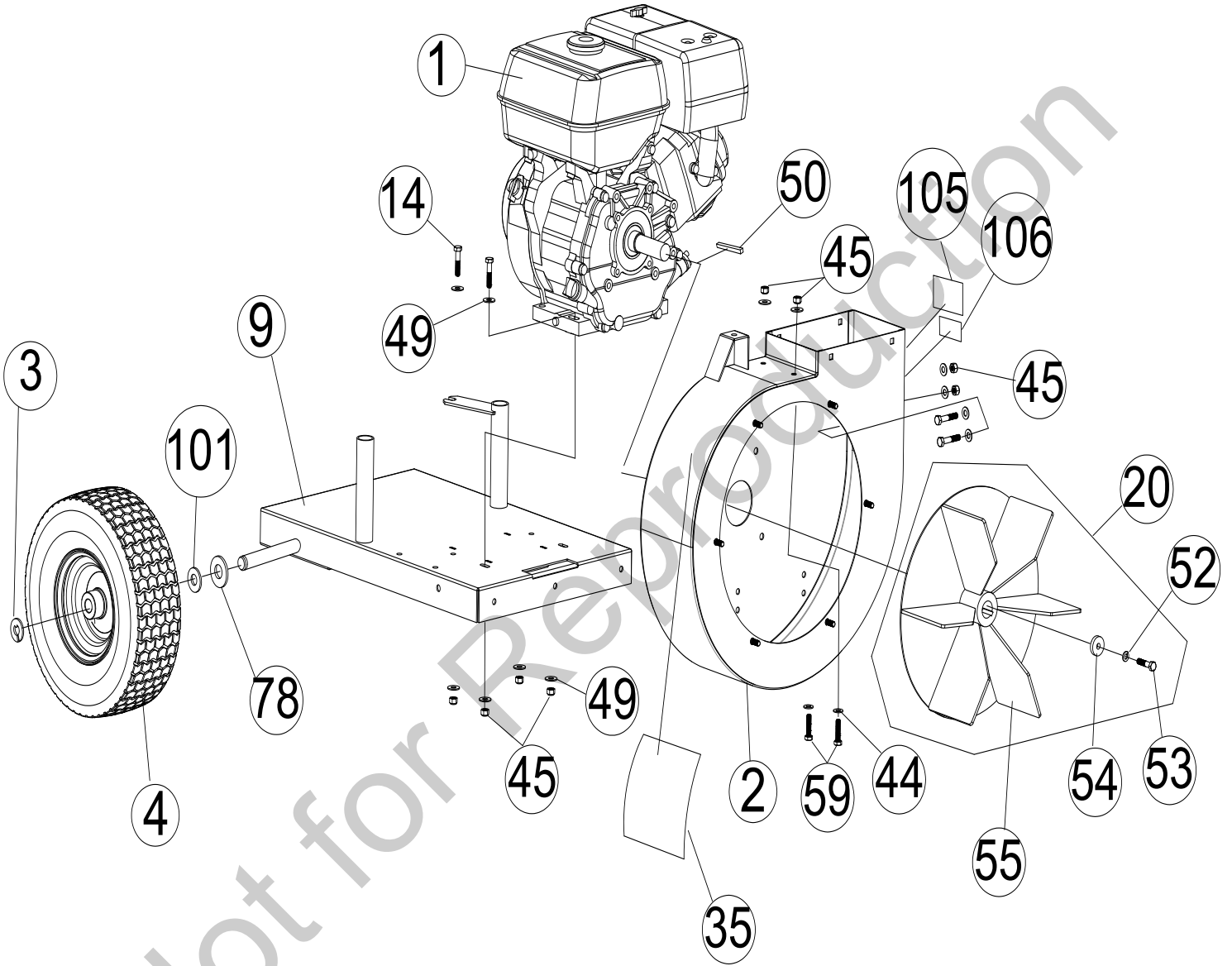
QV PUSH Owner's Manual

TROUBLESHOOTING

Problem	Possible Cause	Solution
Abnormal vibration	Loose or out of balance impeller or loose engine.	Check impeller and replace if required. Check engine.
Will not vacuum or has poor vacuum performance	Dirty debris bag. Nozzle height set too high or low. Hose kit cap missing. Clogged nozzle or exhaust. Excessive quantity of debris.	Clean debris bag. Shake bag clean or wash. Adjust nozzle height. Check for hose kit cap. Unclog nozzle or exhaust. Allow air to feed with debris.
Engine will not start	Stop switch off. Throttle in off position. Engine not in full choke position. Out of gasoline. Bad or old gasoline. Sparkplug wire disconnected. Dirty air cleaner. Low oil (honda only).	Check stop switches, throttle, choke position and gasoline. Connect spark plug wire. Clean or replace air filter. Or contact a qualified service person.
Engine is locked, will not pull over	Debris locked in impeller. Engine problem.	See page 6. Contact a engine service dealer for engine problems.
Nozzle scrapes ground in lowest height setting	Nozzle height out of adjustment.	Adjust nozzle height (See Nozzle height fine adjustment for hard surfaces on page 6.



QV PUSH ENGINE DRAWING





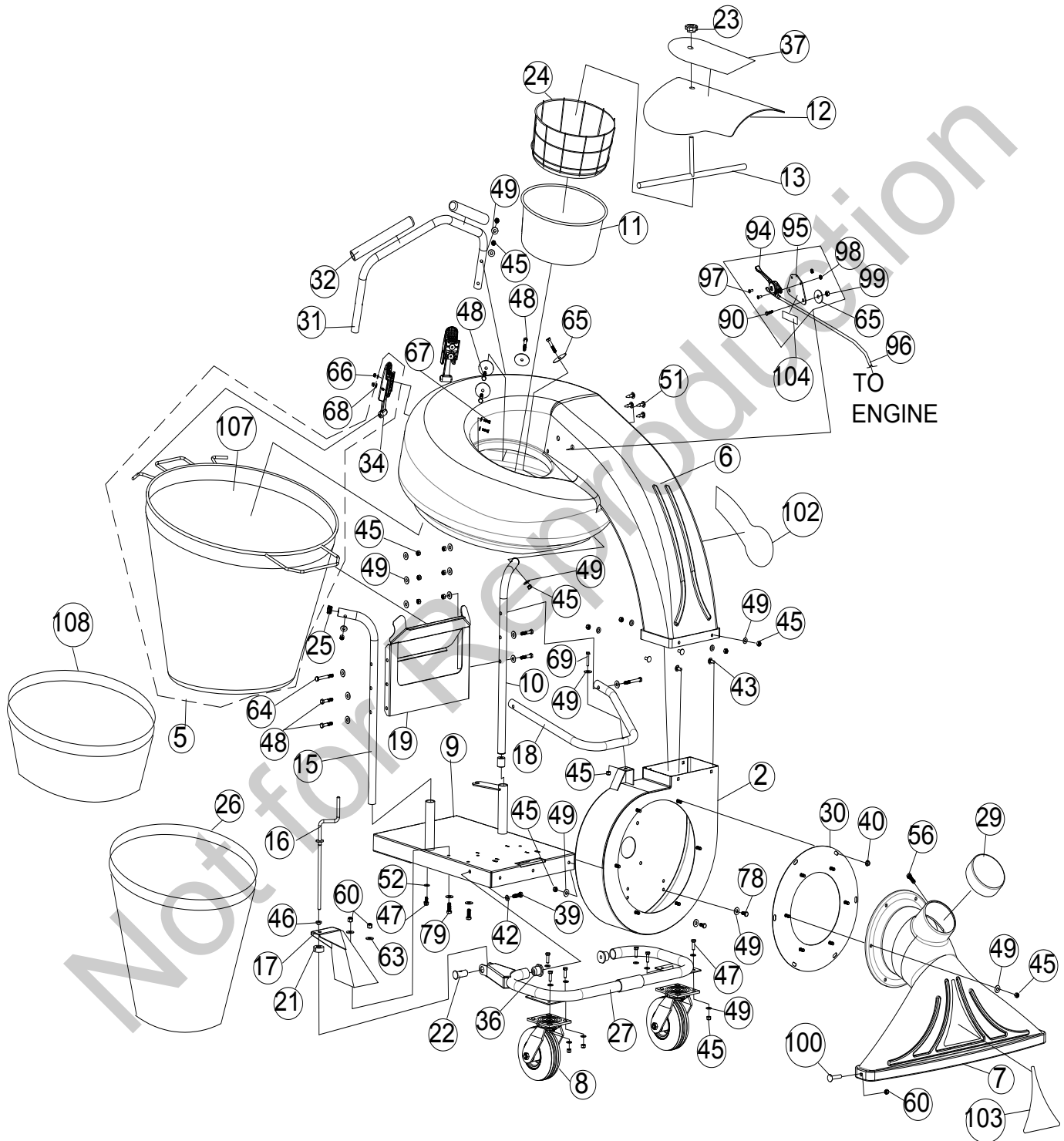
QV PUSH Owner's Manual

QV PUSH ENGINE PARTS LIST

ITEM	DESCRIPTION	QV550 PART NO.	QTY	QV550H PART NO.	QTY
1	ENGINE BRIGGS 5.5 HP	350379	1	-	-
	ENGINE HONDA 5.5 OHV GX160	-	-	600115	1
2	HOUSING WA W/LABELS	831600	1	831600	1
3	SNAP RING 3/4	850230	1	850230	1
4	WHEEL 13" X 5" PNEU	440054	2	440054	2
9	ENGINE BASE WA	831106	1	831106	1
14	SCREWCAP 5/16"-18 X 1 1/2" HCS ZP	8041030	4	8041030	4
20	IMPELLER ASSY	831601	1	831601	1
35	LABEL WARNING QV	831265	1	831265	1
44	WASHER 5/16" SAE	8172008	14	8172008	14
45	NUT LOCK 5/16"-18 HEX ZP	8160002	13	8160002	13
49	WASHER 5/16" FLAT	8171003	4	8171003	4
50	KEY 3/16" SQ X 2 1/4"	9201087	1	9201087	1
52	WASHER LOCK 5/16" SPLIT	8177011	1	8177011	1
53	SCREWCAP 5/16"-24 X 2 1/4" GR.8 W/PATCH	831272	1	831272	1
54	WASHER 1.125 OD X 0.344 ID X 0.25	441150	1	441150	1
55	IMPELLER 5HP WA (torque 17-22 ft.lbs [23-30 N.m])	831104	1	831104	1
59	SCREWCAP 5/16"-18 X 3/4" GR.5 HCS ZP	8041026	4	8041026	4
78	WASHER 3/4" SAE	8172015	2	8172015	2
101	WASHER .765 ID X 1.25 OD X .06	850238	2	850238	2
105	LABEL MADE IN USA	520116	1	520116	1
106	LABEL PATENT PENDING	500183	1	500183	1



QV PUSH HOOD PARTS DRAWING





QV PUSH Owner's Manual

QV PUSH HOOD PARTS LIST

ITEM	DESCRIPTION	QV550 PART NO.	QTY	QV550H PART NO.	QTY	ITEM	DESCRIPTION	QV550 PART NO.	QTY	QV550H PART NO.	QTY
2	HOUSING QV WA W/LABELS	831600	1	831600	1	90	SCREWCAP 1/4"-20 X 3/4"	8041004	2	8041004	2
5	BAG QV	831612	1	831612	1	94	CONTROL THROTTLE	440013	1	440013	1
6	HOOD QV	831605	1	831605	1	95	PLATE THROTTLE	500358	1	500358	1
7	NOZZLE 32" W/LABELS	831606	1	831606	1	96	CABLE THROTTLE	440178	1	440178	1
8	CASTER SWIVEL QV	831201	2	831201	2	97	SCREW MACH HD PHIL #10-24	830514	2	830514	2
9	ENGINE BASE 5 HP WA SP	831105	1	831105	1	98	NUT LOCK LT #10-24	8164005	2	8164005	2
10	HANDLE LOWER LFT	831404	1	831404	1	99	NUT FLANGE 1/4"-20	900453	2	900453	2
11	HOOD FILTER	831226	1	831226	1	100	BOLT CARRIAGE 3/8"-16 X 1"	8024058	2	8024058	2
12	HOOD SCOOP QV PUSH W/LABEL	831604	1	831604	1	102	LABEL BADGING QV	831260	2	831260	2
13	ROD FILTER HOLDER QV	831266	1	831266	1	103	LABEL NOZZLE QV	831261	1	831261	1
15	HANDLE LOWER RT	831403	1	831403	1	104	LABEL THROTTLE	810656	1	810656	1
16	HEIGHT ADJ ROD	831214	1	831214	1	107	BAG QV NO CLASPS SERVICE	831613	1	831613	1
17	HEIGHT ADJ BRACKET WA	831110	1	831110	1	108	DUST SKIRT	831268	1	831268	1
18	HANDLE WISHBONE	831405	1	831405	1						
19	BRACKET HANDLE SUPPORT	831222	1	831222	1						
21	STOP COLLAR	831216	1	831216	1						
22	PIVOT HEIGHT ADJ WA	831117	1	831117	1						
23	KNOB 3/8" - 16 SOLID HUB	811230	1	811230	1						
24	FILTER FRAME	831223	1	831223	1						
25	PLUG TUBE INSERT 1" OD	890132	2	890132	2						
26	DUST SOCK DOUBLE LAYER QV	831282	1	831282	1						
27	FRAME CASTER QV WA	831108	1	831108	1						
29	CAP 5" VINYL BLACK	831211	1	831211	1						
30	PLATE NOZZLE WA QV	831109	1	831109	1						
31	HANDLE UPPER QV	831406	1	831406	1						
32	GRIP 1" OD X 9.5"	430342	2	430342	2						
34	BAG LATCH	840016	2	840016	2						
36	BUSHING FRAME PIVOT	831207	2	831207	2						
37	LABEL INSTRUCTION QV	831258	1	831258	1						
39	SCREWCAP 3/8"-16 X 1 1/4" HCS ZP	8041051	2	8041051	2						
40	NUT 5/16-18 SER HEX WSHR FLNG ZP	350346	6	350346	6						
42	WASHER LOCK 3/8" ST MED	8177012	2	8177012	2						
43	BOLT CARRIAGE 5/16"-18 X 3/4" ZP	8024039	4	8024039	4						
45	NUT LOCK 5/16"-18 HEX ZP	8160002	33	8160002	33						
46	BUSING HEIGHT ADJ BRKT QV	831215	1	831215	1						
47	SCREWCAP 5/16"-18 X 1" HCS ZP	8041028	8	8041028	8						
48	SCREWCAP 5/16"-18 X 1 3/4" HCS ZP	8041031	10	8041031	10						
49	WASHER 5/16" FLAT	8171003	45	8171003	45						
51	PLUG SNAP RIVET 0.232 DIA	840114	4	840114	4						
52	WASHER LOCK 5/16" SPLIT	8177011	2	8177011	2						
56	SCREW PLASTITE 1/4"-20 X 3/4" HWH ZP	840082	1	840082	1						
60	NUT LOCK 3/8" -16 HEX	8160003	4	8160003	4						
63	WASHER 3/8" FLAT	8171004	4	8171004	4						
64	SCREWCAP 5/16"-18 2 3/4" HCS ZP	8041035	2	8041035	2						
65	WASHER 2" OD X 0.344 ID X 16 GA	810652	8	810652	8						
66	NUT LOCK #10-24 HEX	8155007	4	8155007	4						
67	SCREW MACH #10-24 X 3/4"	8059136	4	8059136	4						
68	WASHER #10 SAE	8172005	8	8172005	8						
69	SCREWCAP 5/16"-18 X 1 1/2"	8041030	1	8041030	1						
78	SCREWCAP 5/16"-18 X 3/4" HCS ZP	8041026	4	8041026	4						
79	SCREWCAP 3/8"-16 X 1" HCS ZP	8041050	2	8041050	2						



QV PUSH Owner's Manual

Manuel de l'Utilisateur QV PUSH



ASPIRATEUR A POUSSER QV Manuel de l'Utilisateur QV550, QV550H

Accessoires

Sacs de débris et Filtre

POIGNEE REGLABLE	KIT TUYAU D'ASPIRATEUR	JUPE DE SAC A DEBRIS	FREIN DE RETENUE	SAC A DEBRIS STANDARD	FILTRE DE CAPOT	CHAUSSETTE A POUSSIERES ET A DEBRIS
Permet la poignée pour relever ou abaisser pour le confort.	Tuyau souple de 5" (127mm) x 10' (3m) pour passer l'aspirateur dans des endroits difficiles à atteindre	Dirige la poussière loin de l'opérateur.	Bloque les roues arrière pour éviter le roulage en roue libre.	Standard sur les modèles QV. Pour des conditions poussiéreuses.	Elimine les poussières de l'échappement d'aspirateur par filtrage.	Piège la poussière et l'éloigne de l'opérateur.
N/P 831614	N/P 831018	N/P 831268	N/P 831609	N/P 831613	N/P 831226	N/P 831282



QV PUSH Owner's Manual

CONTENU

CARACTERISTIQUES TECHNIQUES ET SON / VIBRATION	3
ETIQUETTES D'INSTRUCTION	4
LISTE DE CONTROLE D'EMBALLAGE ET ASSEMBLAGE	5
FONCTIONNEMENT ET ENTRETIEN DE SAC	6-7
MAINTENANCE ET DÉPANNAGE	8
PIÈCES ILLUSTRÉES ET LISTES DE PIÈCES	9-13

Not for Reproduction



QV PUSH Owner's Manual

CARACTÉRISTIQUES TECHNIQUES

	QV550	QV550H
HP	5,5 (4,1 kW)	5,5 (4,1 kW)
Moteur : Type	12H1320118B8	GX160T1QX2
Moteur : Capacité des réservoirs carburant	3,0 pte (2,84 L)	3,88 pte (3,6 L)
Moteur : Capacité en Huile	0,66 pte (0,62 L)	0,69 pte (0,65 L)
Poids Total de l'Appareil :	180# (81,6 kg)	175# (73,4 kg)
Longueur Totale	63 po. (1,6m)	63 po. (1,6m)
Largeur Totale	33 po. (0,84m)	33 po. (0,84m)
Hauteur Totale	51 po. (1,3 m)	51 po. (1,3 m)
Pente de fonctionnement maxi.	20°	20°
Son aux oreilles de l'opérateur	77 dBA	77 dBA
Conforme à 2000/14/EEC	97 dBA	97 dBA
Vibration à la position opérateur	0,47g (4,64m/s ²)	0,47g (4,64m/s ²)

SON



NIVEAU DU SON 77 dB(A) à la Position Opérateur

Les essais acoustiques ont été menés en conformité avec la norme 2000/14/CEE, et ont été réalisés le 28/03/12 dans les conditions énumérées ci-dessous.

⚠ Le niveau de puissance acoustique indiqué est le plus élevé pour n'importe quel modèle couvert dans ce manuel. Veuillez vous référer à la plaque signalétique sur l'appareil pour voir le niveau de puissance acoustique de votre modèle.

Conditions générales :	Ensoleillé
Température :	61°F (16°C)
Vitesse du Vent :	6 mph (10 kmh)
Direction du Vent :	Sud Est
Humidité :	86%
Pression Barométrique :	30,01" Hg (762 mm Hg)

DONNEES DE VIBRATION

NIVEAU DE VIBRATION 0,47g (4,64m/s²)

Les niveaux de vibration au niveau des poignées de l'opérateur ont été mesurés dans les directions verticale, longitudinale et latérale à l'aide d'un équipement d'essai de vibration calibré. Les essais ont été effectués le 29/03/12 dans les conditions énumérées ci-dessous

Conditions générales :	Ensoleillé
Température :	57°F (14°C)
Vitesse du Vent :	16 mph (25,7kph)
Direction du Vent :	Est
Humidité :	89%
Pression Barométrique :	29,9Hg (101,3kpa)



QV PUSH Owner's Manual

ETIQUETTES D'INSTRUCTION

Les étiquettes indiquées ci-dessous ont été installées sur votre Aspirateur QV de BILLY GOAT®. Si des étiquettes sont endommagées ou manquantes, remplacez-les avant de faire fonctionner cet équipement. Les numéros d'articles de la Liste de Pièces Illustrées et les numéros de pièces sont fournis pour faciliter la commande d'étiquettes de rechange. La position correcte pour chaque étiquette peut être déterminée en se référant aux figures et aux numéros d'articles indiqués.

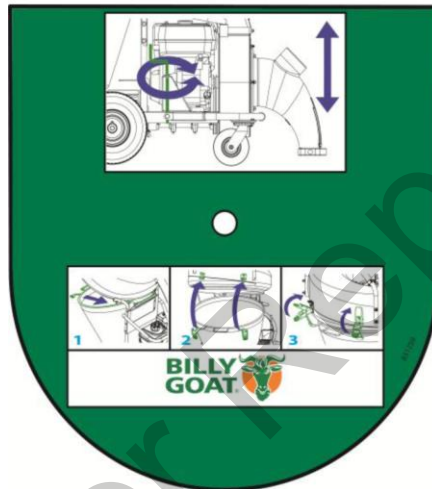
ETIQUETTE
AVERTISSEMENT
ARTICLE #35 N/P
831265



ETIQUETTE
PAPILLON DES GAZ
ARTICLE #104 N/P
810656



ETIQUETTE D'INSTRUCTION
ARTICLE # 37 N/P 831259



ETIQUETTES MOTEUR

HONDA

- READ OWNERS MANUALS BEFORE OPERATION.
- LIRE LE MANUEL D'UTILISATEUR AVANT USAGE.
- VOR INBETRIEBNAHME UNBEDINGT BEDIENUNGSANLEITUNG DURCHLESEN.
- NO UTILIZAR SIN ANTES NO HABER LEIDO EL MANUAL.



OIL ALERT

■ WHEN OIL LEVEL LOW,
ENGINE STOPS IMMEDIATELY.

BRIGGS & STRATTON

- WARNING**
- Read and follow Operating Instructions before running engine.
 - Gasoline is flammable. Allow engine to cool at least 2 minutes before fueling.
 - Engines emit carbon monoxide, DO NOT run in enclosed area.





QV PUSH Owner's Manual

LISTE DE CONTROLE D'EMBALLAGE

Votre Aspirateur Billy Goat est expédié à partir de l'usine dans un carton, complètement assemblé, à l'exception de la buse.



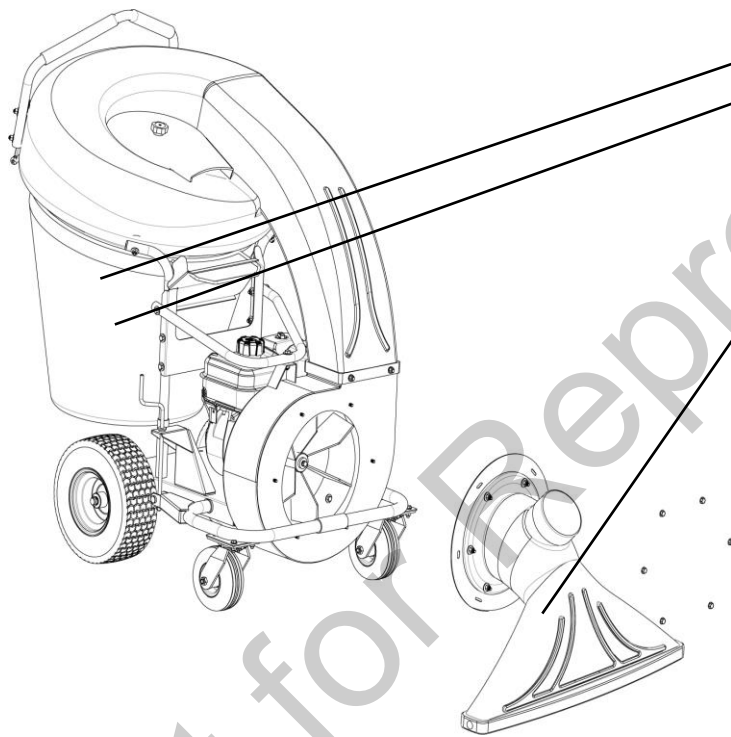
Veillez **LIRE** toutes les instructions de sécurité avant d'assembler l'appareil.
FAITES ATTENTION quand vous enlevez l'appareil de la boîte



METTEZ DE L'HUILE DANS LE MOTEUR AVANT DE DEMARRER

SAC DE PIECES & DOCUMENTATION D'ASSEMBLAGE

Carte de Garantie N/P - 400972, Manuel de l'Utilisateur N/P-831504, Déclaration de Conformité N/P-831503.
Manuel de Sécurité et de Mises en Garde Général N/P-100294



Liste de Contrôle de Pièces Emballées

- Sac à Débris N/P-831225
- Chaussette à Poussières
- Buse Avant N/P-831606

- Documentation d'Assemblage N/P-831021

- Briggs & Stratton 5.5 HP

- Honda 5 HP

ASSEMBLAGE

1. Retirez l'appareil de la boîte. Soyez prudent car les câbles pourraient s'accrocher à quelque chose.
2. Attachez la buse avant (article 7) au logement et fixez-la avec les écrous freinés (article 40) situés dans le sac de pièces.




FONCTIONNEMENT

FONCTIONNEMENT D'ASPIRATEUR

RÉGLAGE DE HAUTEUR DE BUSE D'ASPIRATEUR : Le réglage se fait en tournant le bouton dans le sens des aiguilles d'une montre pour augmenter la hauteur et dans le sens inverse des aiguilles d'une montre pour la réduire. Réglez la hauteur de buse en fonction des conditions de surface et de la taille des débris. Pour aspirer sur des surfaces planes, réglez la buse de 1/2 po. (12,7 mm) à 5/8 po. (15,8 mm) au dessus du sol. Réglez plus haut pour un terrain et un gazon irréguliers.

POUR RAMASSAGE MAXIMUM : Réglez la buse près des débris, mais sans bloquer le flux d'air rentrant dans la buse. **NOTA** : Ne plongez jamais la buse dans les débris.

 **DEBOUCHER UNE BUSE & UN ECHAPPEMENT BOUCHES** : Eteignez le moteur et attendez que l'impulseur s'arrête complètement et débranchez le fil de bougie. En portant des gants durables, retirez l'obstruction. Cela peut nécessiter le retrait de la buse avant.

DANGER, l'obstruction peut contenir des objets tranchants. Rebranchez le fil de bougie.

SAC A DEBRIS

Les sacs à débris sont des articles d'usure normaux remplaçables.

NOTA : Videz souvent les débris pour éviter de surcharger le sac avec plus de poids que vous ne pouvez soulever. Utilisez la jupe à poussières lorsque les débris seront aspirés dans des conditions poussiéreuses.

NE PLACEZ PAS le sac sur ou à proximité d'une surface chaude, comme le moteur. Faites tourner le moteur à mi-vitesse pendant la première demi-heure pour conditionner le nouveau sac. Votre nouveau sac nécessite une période d'adaptation pour conditionner les pores du matériau contre des obstructions prématurées. Toute la surface du sac sert de filtre, et doit être capable de respirer pour avoir une bonne performance d'aspiration. Assurez-vous que le moteur s'est complètement arrêté avant de retirer ou de vider le sac.

FILTRE DE CAPOT

Les filtres de CAPOT sont des articles d'usure normaux remplaçables.

Le filtre de capot doit être utilisé uniquement dans des conditions poussiéreuses et sèches. Le filtre **NE DOIT PAS** être mouillé. Nettoyez uniquement avec un petit peu d'air comprimé.

CHAUSSETTE A POUSSIERES

Les chaussettes à poussières sont des articles d'usure normaux remplaçables. Voir à la page suivante pour l'entretien de chaussette à poussières. **Cet aspirateur est conçu pour ramasser des ordures, des matières organiques et d'autres débris similaires.**

Cependant, de nombreux aspirateurs sont utilisés là où des poussières sont mélangées avec des ordures. Votre appareil peut aspirer par intermittence dans des endroits poussiéreux. La poussière est la plus grande cause de performance affaiblie d'aspiration. Toutefois, ces règles permettront à votre machine de maintenir sa capacité d'aspirer dans des conditions poussiéreuses :

- Faites tourner le moteur du régime au ralenti à un quart de vitesse.
- Le sac de débris doit être nettoyé plus souvent. Un aspirateur avec un sac doux et propre aura des bonnes performances de ramassage. Un aspirateur avec un sac sale et plein aura de mauvaises performances de ramassage. S'il est sale, videz les débris et secouez vigoureusement le sac pour enlever les poussières. Le fait d'avoir un ou plusieurs sacs de débris de rechange est une bonne façon de réduire les temps d'arrêt pendant que les sacs sales sont nettoyés. **NE LAISSEZ PAS** de débris dans le sac pendant le stockage.



QV PUSH Owner's Manual

SOINS ET ENTRETIEN DE CHAUSSETTE A POUSSIÈRES

Objet: La chaussette à poussière agit comme un filtre secondaire diminuant la quantité de poussières qui s'échappe du sac.

Les chaussettes à poussières doivent être **UNIQUEMENT** utilisées dans des conditions sèches et poussiéreuses. Le fait d'utiliser la chaussette à poussières dans des conditions humides ou mouillées risque d'endommager la chaussette à poussières et de diminuer l'efficacité du filtre.

La chaussette à poussières peut être installée par simple fixation de bandes Velcro d'accouplement entre le sac et la chaussette à poussières. Au fil du temps, la chaussette à poussières commencera à se remplir de poussières pendant l'utilisation. Retirez périodiquement la chaussette à poussières, videz la poussière lâche et nettoyez la chaussette. Pour un nettoyage léger, il suffit de secouer la chaussette, et pour un nettoyage en profondeur, voir ci-dessous. Pour retirer la chaussette, il suffit de séparer la bande Velcro.



Informations pour Soins de Chaussette à Poussières



NE COGNEZ PAS LE SAC CONTRE D'AUTRES OBJETS



N'ACCROCHEZ LE SAC CONTRE RIEN



NETTOYEZ DELICATEMENT UNIQUEMENT AVEC DE L'AIR COMPRIE, DE L'EXTERIEUR. GARDEZ LA BUSE A 6-12 POUCHES DU TISSU.



NE MOUILLER RIEN

Les chaussettes à poussières sont des articles d'usure normaux remplaçables. Pièce de Rechange N/P - 831282



QV PUSH Owner's Manual

ENTRETIEN

ENTRETIEN PÉRIODIQUE

Un entretien périodique doit être effectué aux intervalles suivants :

Opération d'Entretien	Chaque Utilisation (tous les jours)	Toutes les 5 heures (tous les jours)	Toutes les 10 heures	Toutes les 25 heures	Toutes les 50 heures
Vérifiez s'il y a des pièces lâches, usées ou endommagées.		•			
Nettoyez le sac de débris	•				
Vérifiez la pression des pneus	•			•	
Moteur (Voir Manuel Moteur)					
Vérifiez pour voir s'il y a des vibrations excessives		•			
Graissez les embouts de graissage					•

Graissez : Roues, Roulettes, et Paliers.

Pression de gonflage : Vérifiez à intervalles réguliers et maintenez à : Pneus arrière de 13" SP à **20 psi**. (137,9 kPa).

ENLEVEMENT D'IMPULSEUR

1. Débranchez le fil de bougie.
2. Fixez bien l'appareil pour l'empêcher de bouger.
3. Retirez la buse (article 7) du logement, puis retirez la plaque à laquelle elle était attachée (article 30).
4. Faites glisser la courroie (article 22) hors de la poulie inférieure (article 23), puis faites-la glisser hors de la rainure d'impulseur. Si vous ne pouvez pas la faire glisser de la poulie inférieure, desserrez les paliers (article 24) sur la face inférieure, ce qui permettra un petit peu plus de jeu dans la poulie.
5. Faites glisser la courroie hors de la gorge de courroie dans la poulie d'entraînement de moyeu d'impulseur.
6. Retirez le boulon et la rondelle frein d'impulseur.
7. Si l'impulseur glisse librement, procédez à (étape 12). (**Ne faites pas tomber l'impulseur**).
8. Si l'impulseur ne glisse pas hors du vilebrequin, placez deux pieds-de-biche entre l'impulseur et le logement sur les côtés opposés. Soulevez l'impulseur du moteur jusqu'à ce qu'il se desserre. *L'utilisation d'une huile pénétrante peut aider à dégager un impulseur coincé.*
9. Faites glisser l'impulseur hors du vilebrequin et retirez l'impulseur du logement.
10. Réinstallez le nouvel impulseur, le nouveau boulon et la nouvelle rondelle frein d'impulseur dans l'ordre inverse d'enlèvement. (*Voir le dessin des pièces sur les pages 9-12 pour la décomposition des pièces et la liste des pièces à la page 10 pour les caractéristiques techniques de couple de serrage d'impulseur appropriées.*)
11. Lorsque l'impulseur est installé, faites glisser la courroie dans la rainure sur le moyeu et renfilez-la sur la poulie inférieure. Resserrez les paliers s'ils ont été desserrés.
12. Réattachez la plaque de la buse et la buse dans l'ordre inverse d'enlèvement.
13. Rebranchez le fil de bougie.
14. Vérifiez que tout marche bien.



QV PUSH Owner's Manual

DÉPANNAGE

Problème	Cause Possible	Solution
Vibration anormale	- Impulseur lâche ou balourd ou moteur lâche	- Vérifiez l'impulseur et remplacez si nécessaire. Vérifiez le moteur
N'aspire pas ou aspire très peu	- sac de débris sale. La hauteur de buse est réglée trop élevée ou trop basse. Bouchon de kit de tuyau manquant. Buse ou échappement bouché. Quantité excessive de débris.	- Nettoyez le sac de débris. Secouez le sac jusqu'à ce qu'il soit propre ou lavez. Réglez la hauteur de la buse. Vérifiez s'il y a le bouchon de kit de tuyau. Débouchez la buse ou l'échappement. Permettez à de l'air de passer avec les débris
Le moteur ne démarre pas	- Le bouton d'arrêt d'urgence est désactivé. Le papillon des gaz est dans la position off. Le moteur n'est pas en position de starter complet. Il n'y a plus d'essence. Mauvaise essence ou vieille essence. Le fil de bougie est débranché. Filtre à air sale. Huile basse (honda seulement)	- Vérifiez les boutons d'arrêt d'urgence, le papillon des gaz, la position de starter et l'essence. Branchez le fil de bougie. Nettoyez ou remplacez le filtre à air. Ou contactez un technicien qualifié.
Le moteur est bloqué, ne s'arrête pas	- Des débris sont coincés dans l'impulseur. Problème moteur.	- Voir page 6. Contactez un distributeur de service moteur pour des problèmes de moteur
La buse racle le sol au réglage de hauteur le plus bas	Hauteur de buse dérégulée	Réglez la hauteur de buse (Voir le bon réglage de hauteur de buse pour des surfaces dures à la page 6



QV PUSH Owner's Manual

QV PUSH Bedienerhandbuch



QV LAUBSAUGER-BLÄSER Benutzerhandbuch

QV550, QV550H

Ersatzteile

Gartenabfallbeutel und Filter

VERSTELLBAREN GRIFF	ABSAUGSCHLAUCH H SET	GARTENABFALL BEUTEL RAHMEN	PARK BREMSE	STANDARD GARTENABFALL BEUTEL	ABZUGSFILTER	GARTENABFALL - UND STAUBSACK
Ermöglicht das handle angehoben oder gesenkt für Komfort.	5" (127mm) x 10" (3m) zusammenrollbarer Schlauch zum Saugen in schwer erreichbaren Bereichen.	Der Staub wird vom Bediener weg geleitet.	Verriegelung der hinteren Räder damit der Freilauf verhindert wird.	Standard bei QV Modellen. Unter staubigen Bedingungen.	Filtert den Staub vom Absauger heraus.	Der Staub wird eingefangen und somit vom Bediener fern gehalten.
P/N 831614	P/N 831018	P/N 831268	P/N 831609	P/N 831613	P/N 831226	P/N 831282



QV PUSH Owner's Manual

INHALT

TECHNISCHE DATEN UND GERÄUSCHE/VIBRATIONEN	3
ANWEISUNGSSCHILDER	4
PRÜFLISTE FÜR VERPACKUNG UND MONTAGE	5
BETRIEBS - UND BEUTEL PFLEGE	6-7
WARTUNG UND FEHLERSUCHE	8-9
ABBILDUNGEN DER TEILE UND TEILELISTE	9-12

Not for Reproduction



QV PUSH Owner's Manual

TECHNISCHE DATEN

	QV550	QV550H
PS	5,5 (4,1 kW)	5,5 (4,1 kW)
Motor: Typ	12H1320118B8	GX160T1QX2
Motor: Kraftstoffkapazität	2,84 l (3,0 qt.)	3,6 l (3,88 qt.)
Motor: Ölkapazität	0,62 l (0,66 qt.)	0,65 l (0,69 qt.)
Gesamt Stückgewicht:	180# (81,6 kg)	175# (73,4 kg)
Gesamtlänge	63" (1,6m)	63" (1,6m)
Gesamtbreite	33" (0,84m)	33" (0,84m)
Gesamthöhe	51" (1,3 m)	51" (1,3 m)
Max. Betriebsneigung	20°	20°
Schall am Ohr des Bedieners	77 dBa	77 dBa
In Übereinstimmung mit 2000/14/EEC	97 dBa	97 dBa
Vibration an der Bedienerposition	0,47g (4,64m/s ²)	0,47g (4,64m/s ²)

SCHALL



SCHALLPEGEL 77 dB(a) an der Position des Operators

Es wurden Schalltests in Übereinstimmung mit 2000/14/EEC durchgeführt und diese wurden unter den 3-28-12 Bedingungen ausgeführt, die unten aufgeführt sind.

⚠ Die Schallpegelstärke ist der höchste Wert, der für jedes Modell, das in diesem Handbuch aufgeführt wird, abgedeckt wird. Bitte schauen Sie auf dem Typenschild nach der Schallpegelkraft Ihres Modells nach.

Allgemeine Bedingungen:	Sonnig
Temperatur:	61°F (16°C)
Windgeschwindigkeit:	10 km/h (6 mph)
Windrichtung:	Südost
Feuchtigkeit:	86%
Luftdruck:	762 mm Hg (30,01"Hg)

VIBRATIONS DATEN

VIBRATIONSPEGEL 0,47g (4,64m/s²)

Vibrationspegel an den Bedienerhandgriffen wurden in den vertikalen, seitlichen und Längsrichtungen gemessen, indem geeichte Testgeräte verwendet wurden. Die Tests wurden auf der Basis 3-29-12 unter den unten aufgelisteten Bedingungen ausgeführt

Allgemeine Bedingungen:	Sonnig
Temperatur:	57°F (14°C)
Windgeschwindigkeit:	25,7 km/h (16 mph)
Windrichtung:	Osten
Feuchtigkeit:	89%
Luftdruck:	29,9Hg (101,3kpa)



QV PUSH Owner's Manual

ANWEISUNGSSCHILDER

Die Schilder, die unten aufgeführt werden, wurden auf Ihrem BILLY GOAT® QVSP Sauger angebracht. Falls irgendwelche Schilder beschädigt oder vermisst werden, ersetzen Sie diese, bevor dieses Gerät bedient wird. Artikelnummern von den Abbildungen auf der Teileliste und Teilenummern werden zu Ihrer Bequemlichkeit bereitgestellt, wenn Sie die Ersatzschilder bestellen. Die richtige Position für jedes Schild kann bestimmt werden, indem Sie auf die Abbildungen und Artikelnummern verweisen, die gezeigt werden.

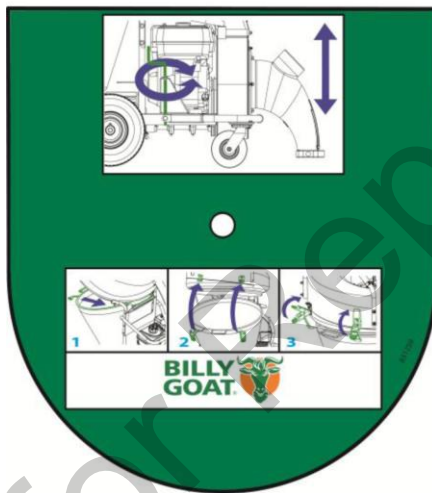
WARNHINWEIS
ARTIKEL #35 P/N
831265



SCHILD FÜR
DROSSEL-ARTIKEL
#104 P/N 810656



HINWEISSCHILD
ARTIKEL # 37 P/N 831259



MOTORSCHILDER

HONDA

- READ OWNERS MANUALS BEFORE OPERATION.
- LIRE LE MANUEL D'UTILISATEUR AVANT USAGE.
- VOR INBETRIEBNAHME UNBEDINGT BEDIENUNGSANLEITUNG DURCHLESEN.
- NO UTILIZAR SIN ANTES NO HABER LEIDO EL MANUAL.



OIL ALERT
■ WHEN OIL LEVEL LOW,
ENGINE STOPS IMMEDIATELY.

BRIGGS & STRATTON

- WARNING**
- Read and follow Operating Instructions before running engine.
 - Gasoline is flammable. Allow engine to cool at least 2 minutes before fueling.
 - Engines emit carbon monoxide, DO NOT run in enclosed area.





QV PUSH Owner's Manual

VERPACKUNGSPRÜFLISTE

Ihr Billy Goat wird vom Werk in einem Karton versendet und ist, außer der Düse, vollständig zusammengebaut.



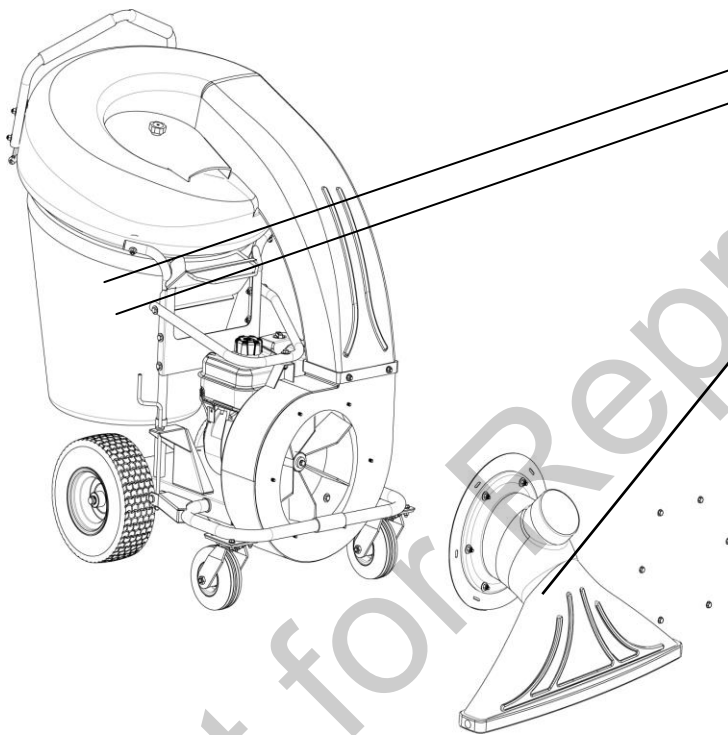
LESEN Sie alle Anweisungen, bevor Sie das Gerät zusammenbauen.
VORSICHT beim Herausnehmen des Gerätes aus der Kiste.



FÜLLEN SIE ÖL IN DEN MOTOR BEVOR SIE BEGINNEN

TEILEBEUTEL UND LITERATUR ÜBER DIE MONTAGE

Garantiekarte P/N- 400972, Bedienerhandbuch P/N-831500, Konformitätserklärung P/N-831503.
Handbuch mit allgemeinen Sicherheits - und Warnhinweisen P/N-100294



Prüfliste für die Teileverpackung

- Gartenabfallbeutel P/N-831225
- Staubsack P/N-831268

- Vorderdüse P/N-831606
- Literatur Einheit P/N-831019

- Briggs & Stratton 5,5 PS
- Honda 9 PS

MONTAGE

1. Entnehmen Sie das Gerät aus der Kiste. Bitte vorsichtig herausnehmen, weil sich die Kabel verhaken könnten.
2. Bringen Sie die Vorderdüse (Artikel 7) am Gehäuse an und sichern Sie diese mit der Kontermutter (Artikel 40) befinden sich in dem Beutel für die Ersatzteile



BETRIEB

SAUGVORGANG

HÖHENEINSTELLUNG DER SAUGDÜSE: Die Einstellung erfolgt, indem der Knopf im Uhrzeigersinn gedreht wird, um eine größere Höhe zu erreichen und entgegengesetzt dem Uhrzeigersinn, um diese zu verringern. Stellen Sie die Höhe der Düse entsprechend den Oberflächenbedingungen und der Größe der Gartenabfälle ein; Beim Saugen auf flachen Oberflächen, stellen Sie die Düse 1/2" (12,7 mm) bis 5/8" (15,8 mm) über dem Boden ein; Höher bei unebenem Gelände und Rasen.

FÜR MAXIMALE AUFNAHME: Stellen Sie die Düse in der Nähe des Gartenabfalls ein, aber ohne dabei die Luftzufuhr zur Düse zu verhindern. **HINWEIS:** Bitte niemals die Düse in dem Abfall eingraben.



FREISETZEN EINER BLOCKIERTEN DÜSE UND ABSAUGROHR: Schalten Sie den Motor ab und warten Sie, bis das Antriebsrad vollständig anhält und ziehen Sie das Zündkabel heraus. Entfernen Sie blockierenden Objekte, indem Sie feste Handschuhe tragen und es kann erforderlich sein, dass Sie die Vorderdüse entfernen müssen.

GEFAHR, die Blockierung kann scharfe Materialien enthalten. Stecken Sie das Zündkabel erneut ein.

TASCHE FÜR GARTENABFÄLLE

Die Beutel für Gartenabfälle sind normale Verschleißartikel.

HINWEIS: Leeren Sie die Gartenabfälle häufig aus, damit verhindert wird, dass die Tasche mit mehr Gewicht beladen ist, als sie tragen können. Benutzen Sie die Staubschürze, wenn die Gartenabfälle unter staubigen Bedingungen aufgesaugt werden.

STELLEN SIE DIE Tasche NICHT auf heiße Oberflächen oder in die Nähe von heißen Oberflächen, wie z.B. Motoren. Lassen Sie den Motor die erste halbe Stunde bei halb gedrosseltem Motor laufen, damit der neue Beutel angebracht werden kann. Ihr neuer Beutel erfordert eine Einfahrzeit, damit die Poren des Materials an die verfrühte Blockierung angepasst werden. Die gesamte Beuteloberfläche dient als Filter und muss in der Lage sein zu atmen, damit eine gute Saugleistung vorhanden ist. Stellen Sie sicher, dass der Motor zum vollständigen Halt gekommen ist, bevor Sie den Beutel entfernen oder entleeren.

ABZUGSFILTER

HAUBEN-Filter sind normal ersetzbare Verschleißartikel.

Die Haubenfilter sind nur für die Nutzung unter trockenen, staubigen Bedingungen gedacht. **MACHEN SIE DEN Filter nicht NASS.** Bitte nur mit leichter Pressluft reinigen.

STAUBSÄCKE

Staubsäcke sind normal austauschbare Verschleißartikel. Zur Pflege der Staubsäcke, schauen Sie auf der nächsten Seite nach.

Dieser Sauger ist gestaltet um Abfall, organisches Material und andere ähnliche Gartenabfälle aufzusaugen.

Jedoch werden viele Sauger benutzt wo Staub mit Abfall vermischt ist. Ihr Gerät kann ununterbrochen in staubigen Bereichen saugen. Staub ist die größte Ursache von verloren gegangener Saugleistung. Wenn Sie jedoch diese Regeln befolgen, wird das dabei helfen, um die Fähigkeit Ihrer Maschine unter staubigen Bedingungen zu saugen, aufrecht zu erhalten:

- Lassen Sie die Maschine im Leerlauf bis viertel Vollgas laufen.
- Der Beutel für den Gartenabfall muss häufiger gereinigt werden. Ein Sauer mit einem sauberen Beutel, weich wie ein Kissen, wird eine gute Aufnahmeleistung haben. Eine mit einem schmutzigen, engen Beutel wird eine schlechte Aufnahmeleistung erreicht. Beim Entleeren von schmutzigen Gartenabfällen schütteln Sie den Beutel solange kräftig, bis er frei von Staub ist. Wenn Sie einen oder mehrere Ersatz-Gartenabfallbeutel haben, ist das ein guter Weg, um die Ausfallzeit zu verringern, während die schmutzigen Beutel gereinigt werden. **LASSEN SIE KEINE** Gartenabfälle in dem Beutel, während diese gelagert werden.



QV PUSH Owner's Manual

PFLEGE DES STAUBSACKS UND WARTUNG

Zweck: Der Staubsack fungiert als ein zweiter Filter, indem er die Staubmenge verringert, die aus dem Behälter kommt.

Staubsäcke dürfen NUR unter trockenen und staubigen Bedingungen benutzt werden. Wird der Staubsack unter feuchten oder nassen Bedingungen verwendet, kann es zu Schäden am Staubsack führen und somit die Leistungsfähigkeit des Filters verringern.

Der Staubsack kann installiert werden, indem einfach die Aufnahme-Klettbänder zwischen dem Behälter und dem Staubsack befestigt werden. Im Laufe der Zeit beginnt sich der Staubsack, während der Benutzung, mit Staub zu füllen. Entfernen Sie regelmäßig den Staubsack, entleeren Sie den losen Staub und reinigen Sie den Sack. Zur leichten Reinigung schütteln Sie einfach den Sack, zur gründlicheren Reinigung, schauen Sie bitte unten nach. Zur Entfernung des Sacks, entfernen Sie einfach das Klettband.



Pflegeinformationen über den Staubsack:



SCHLAGEN SIE NICHT MIT GEGENSTÄNDEN AUF DEN BEUTEL ODER GEGEN GEGENSTÄNDE

REISSEN SIE NICHT AM BEUTEL



REINIGEN SIE NUR LEICHT VON AUSSEN NACH INNEN MIT PRESSLUFT. HALTEN SIE DIE DÜSE 15,34-30,48 CM (6-12 ZOLL) VOM STOFF ENTFERNT

DARF NICHT NASS

Staubsäcke sind normal austauschbare Verschleißartikel. Ersatzteilnummer P/N- 831282



WARTUNG

REGELMÄßIGE WARTUNG

Die regelmäßige Wartung sollte in folgenden Zeitabständen ausgeführt werden:

Wartungsvorgang	Jeder Nutzung (täglich)	Alle 5 Std. (täglich)	Alle 10 Std.	Alle 25 Std.	Alle 50 Std.
Untersuchen Sie, ob lockere, abgenutzte oder beschädigte Teile vorhanden sind.		•			
Reinigen des Gartenabfallbeutels	•				
Prüfen Sie den Reifendruck	•			•	
Motor (Siehe Motor-Bedienungsanleitung)					
Prüfen Sie ob übermäßige Vibrationen vorhanden sind		•			
Schmieren der Einspritzvorrichtung					•

Schmierung: Räder, Rollen und Wellenlager.

Reifen Luftdruck: Prüfen Sie in regelmäßigen Abständen und führen Sie die Wartung durch: Bereifung Hinterrad SP 13" Reifen bei 1,38 bar (20 Psi). (137,9 kPa).

ANTRIEBSRAD ENTFERNEN

1. Zündkabel abschalten.
2. Sichern Sie das Gerät, damit es sich nicht bewegt.
3. Entfernen Sie die Düse (Artikel 7) vom Gehäuse, dann entfernen Sie die Platte auf der diese befestigt war (Artikel 30).
4. Entfernen Sie den Gurt (Artikel 22) von der unteren Riemenscheibe (Artikel 23) und schieben Sie ihn von der Antriebsradnut. Wenn Sie ihn nicht von der unteren Riemenscheibe herunterschieben können, lockern Sie die Lager (Artikel 24) auf der Unterseite und dadurch ist mehr Spiel an der Riemenscheibe vorhanden.
5. Schieben Sie den Riemen aus der Riemenscheibe im Zentrum der Antriebsrad-Riemenscheibe.
6. Entfernen Sie den Antriebsradbolzen und die Unterlegscheibe.
7. Wenn das Antriebsrad frei herausrutscht, gehen Sie zu (Schritt 12). **(Lassen Sie das Antriebsrad nicht fallen).**
8. Wenn das Antriebsrad nicht aus der Kurbelwelle schieben lässt, platzieren Sie zwei Brecheisen zwischen Antriebsrad und Gehäuse der gegenüberliegenden Seiten. Reißen Sie das Antriebsrad vom Motor weg, bis es sich lockert. *Indem Sie Kriechöl benutzen kann geholfen werden, das blockierte Antriebsrad zu lockern.*
9. Schieben Sie das Antriebsrad aus der Kurbelwelle und entfernen Sie das Antriebsrad aus dem Gehäuse.
10. Installieren Sie das Antriebsrad neu, neuer Antriebsradbolzen und Unterlegscheibe in umgekehrter Reihenfolge wie beim Entfernen. *(Siehe Teilezeichnungen auf den Seiten 9-12 für Teileausfall und Teilleiste auf Seite 10 für die entsprechenden Spezifikationen des Antriebsbolzendrehmoments.)*
11. Wenn das Antriebsrad installiert ist, schieben Sie den Riemen zurück in die Nut auf dem Hub und tun sie dieses auf die untere Riemenscheibe. Ziehen Sie die Lager wieder fest, falls diese gelockert wurden.
12. Bringen Sie die Düsenplatte und die Düse in umgekehrter Reihenfolge wie beim Auseinanderbauen wieder an.
13. Stecken Sie das Zündkabel erneut ein.
14. Prüfen Sie bitte, ob alles richtig funktioniert.



QV PUSH Owner's Manual

FEHLERBESEITIGUNG

Problem	Mögliche Ursache	Lösung
Abnormale Vibration	- Antriebsrad locker oder Unwucht oder Motor locker	- Antriebsrad prüfen und ersetzen falls erforderlich. Motor prüfen
Wird nicht saugen oder besitzt eine geringe Saugleistung	- schmutziger Gartenabfallbeutel. Düsenhöhe zu hoch oder zu niedrig eingestellt Schlauchsatz-Kappe nicht vorhanden. Blockierte Düse oder Abzug. Übermäßige Menge an Gartenabfällen.	- Reinigen Sie den Beutel für die Gartenabfälle Schütteln Sie den Beutel solange bis er sauber ist, oder waschen Sie ihn. Düsenhöhe einstellen. Prüfen Sie die Kappe für den Schlauchsatz. Deblokkieren Sie die Düse oder den Abzug. Gestatten Sie das Luft zu den Gartenabfällen vordringt.
Der Motor startet nicht	- Anhalten ausschalten. Leerlauf in Position "AUS". Motor nicht vollständig in gedrosselter Position. Kein Benzin mehr vorhanden. Schlechtes oder altes Benzin. Kabel der Zündkerze abgeschaltet. Reiniger für schmutzige Luft. Ölstand niedrig (nur Honda)	- Prüfen Sie die Stop-Schalter, Leerlauf, Drosselungsposition und Benzin. Zündkerzenkabel anschließen. Luftfilter reinigen oder austauschen. Oder kontaktieren Sie qualifiziertes Kundendienstpersonal.
Der Motor ist blockiert, wird nicht anhalten	- Gartenabfälle blockieren das Antriebsrad Motor Problem.	- Siehe Seite 6. Bei Problemen mit dem Motor kontaktieren Sie einen Motor-Kundendienst.
Die Düse berührt den Boden bei der Einstellung auf die geringste Höhe	Düsenhöhe ist verstellt	Stellen Sie die Düsenhöhe ein (Siehe Feineinstellung der Düsenhöhe bei harten Oberflächen auf Seite 6).



QV PUSH Owner's Manual

Manual de funcionamiento QV PUSH



ASPIRADORA QV Manual del propietario

QV550, QV550H

Accesorios

Bolsa de los desechos y filtro

MANIJA AJUSTABLE	EQUIPO DE LA MANGUERA DE LA ASPIRADORA	FALDÓN DE LA BOLSA DE LOS DESECHOS	APARCAMIENTO FRENO	BOLSA DE DESECHOS ESTANDAR	FILTRO DEL EXTRACTOR	CALCETÍN DEL POLVO Y LOS DESECHOS
Permite para que la manija se eleva o se baja para mayor comodidad.	5" (127 mm) x 10' (3 m) de manguera plegable para pasar la aspiradora en zonas difíciles de alcanzar	Dirige el polvo lejos del operario.	Bloquea las ruedas traseras para evitar que ruede libremente.	De serie en los modelos QV. Para condiciones de mucho polvo.	Filtra el polvo del escape de la aspiradora.	Atrapa el polvo manteniendolo lejos del operario.
P/N 831614	P/N 831018	P/N 831268	P/N 831609	P/N 831613	P/N 831226	P/N 831282



CONTENIDOS

ESPECIFICACIONES Y SONIDO/VIBRACIÓN _____	3
ETIQUETAS DE INSTRUCCIONES _____	4
LISTA DEL EMBALAJE Y LA INSTALACIÓN _____	5
FUNCIONAMIENTO Y CUIDADO DE LA BOLSA _____	6-7
MANTENIMIENTO Y SOLUCIÓN DE PROBLEMAS _____	8
LISTADO DE PIEZAS Y PIEZAS ILUSTRADAS _____	9-12

Not for Reproduction



QV PUSH Owner's Manual

ESPECIFICACIONES

	QV550	QV550H
CV	5.5 (4.1 kW)	5.5 (4.1 kW)
Motor: Tipo	12H1320118B8	GX160T1QX2
Motor: Capacidad de combustible	3,41 l. (2,84 L)	3.88 qt. (3.6 L)
Motor: Capacidad de aceite	0,75 l. (0,62 L)	0,78 l. (0,65 L)
Peso total de la unidad:	81,65kg (81,6 kg)	79,38kg (73,4 kg)
Longitud total	63" (1.6m)	63" (1.6m)
Anchura total	33" (0,84m)	33" (0,84m)
Altura total	51" (1,3 m)	51" (1,3 m)
Inclinación máxima de funcionamiento	20°	20°
Sonido en los oídos del operario	77 dBa	77 dBa
De acuerdo a 2000/14/EEC	97 dBa	97 dBa
Vibración en la posición del operario	0.47g (4.64m/s ²)	0.47g (4.64m/s ²)

SONIDO



NIVEL DE SONIDO 77 dB(a) en la posición del operario

Las pruebas de sonido se llevaron a cabo en conformidad con 2000/14/EEC, y se realizaron en 3-28-12 bajo las condiciones que se enumeran a continuación.

⚠ El nivel de potencia de sonido que se indica es el valor más alto para cualquier modelo que se cubre en este manual. Por favor, consulte la placa de serie de la unidad para saber el nivel de potencia de sonido de su modelo.

Condiciones generales:	Soleado
Temperatura:	61°F (16°C)
Velocidad de viento:	6 mph (10 kmh)
Dirección del viento:	Sureste
Humedad:	86%
Presión barométrica:	30,01"Hg (762 mm Hg)

DATOS DE LA VIBRACIÓN

NIVEL DE LA VIBRACIÓN 0.47g (4.64m/s²)

Los niveles de las vibraciones en el mango del operario se midieron en las direcciones verticales, transversales y longitudinales con equipos calibrados para realizar pruebas de vibración. Las pruebas se realizaron en 3-29-12 bajo las condiciones que se muestran a continuación.

Condiciones generales:	Soleado
Temperatura:	57°F (14°C)
Velocidad de viento:	16 mph (25.7kph)
Dirección del viento:	Este
Humedad:	89%
Presión barométrica:	29.9Hg(101.3kpa)



QV PUSH Owner's Manual

ETIQUETAS DE INSTRUCCIONES

Las etiquetas que aparecen a continuación fueron instaladas en la aspiradora BILLY GOAT® QV Vacuum. Si falta alguna etiqueta o está dañada, sustitúyala antes de operar este equipo. El número de los artículos de la Lista de piezas ilustradas y los números de las piezas se suministran para su conveniencia en las etiquetas de reemplazo de pedido. Se puede determinar la posición correcta para cada etiqueta consultando la figura y los números del artículo que se muestra.

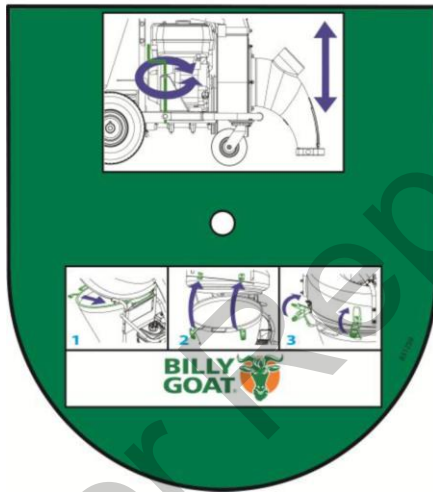
ETIQUETA DE ADVERTENCIA
ARTÍCULO #35 P/N
831265



ETIQUETA DEL REGULADOR
ARTÍCULO #104 P/N
810656



ETIQUETA DE INSTRUCCIONES
ARTÍCULO # 37 P/N 831259



ETIQUETAS DEL MOTOR

HONDA

- READ OWNERS MANUALS BEFORE OPERATION.
- LIRE LE MANUEL D'UTILISATEUR AVANT USAGE.
- VOR INBETRIEBNAHME UNBEDINGT BEDIENUNGSANLEITUNG DURCHLESEN.
- NO UTILIZAR SIN ANTES NO HABER LEIDO EL MANUAL.



OIL ALERT

■ WHEN OIL LEVEL LOW, ENGINE STOPS IMMEDIATELY.

BRIGGS & STRATTON

WARNING

Read and follow Operating Instructions before running engine.

Gasoline is flammable. Allow engine to cool at least 2 minutes before fueling.

Engines emit carbon monoxide, DO NOT run in enclosed area.





QV PUSH Owner's Manual

LISTA DE EMBALAJE

Su Billy Goat se envía desde la fábrica en una caja de cartón, completamente montado a excepción de la boquilla.



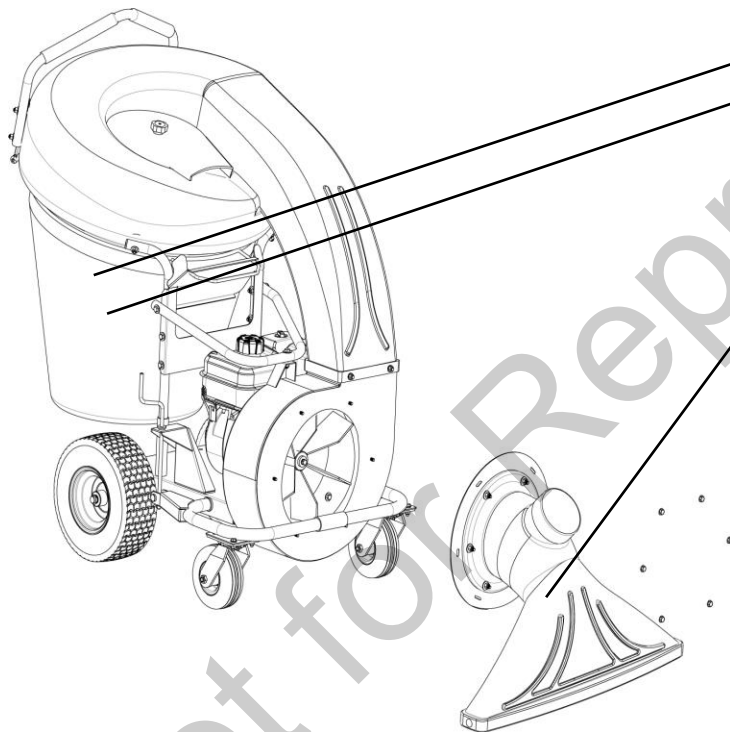
LEA todas las instrucciones de seguridad antes de montar la unidad.
TENGA CUIDADO cuando saque la unidad de la caja.



PONER ACEITE EN EL MOTOR ANTES DE SU PUESTA EN MARCHA.

BOLSA DE PIEZAS Y LITERATURA DE LA INSTALACIÓN

Tarjeta de garantía P/N- 400972, Manual del operario P/N-831504, Declaración de conformidad P/N-831503.
Manual de advertencias y seguridad general P/N-100294



Lista piezas del embalaje

- Bolsa de desechos P/N-831225
- Caletín del polvo P/N-831268
- Boquilla frontal P/N-831606
- Literatura de la instalación P/N-831021
- Briggs & Stratton 5.5 CV
- Honda 5 HP

INSTALACIÓN

1. Retire la unidad de la caja. Tenga cuidado ya que los cables podrían engancharse.
2. Coloque la boquilla frontal (artículo 7) a la caja y fíjalo con las tuercas (artículo 40) de presión que se encuentran en la bolsa de piezas.




FUNCIONAMIENTO

FUNCIONAMIENTO DE LA ASPIRADORA

AJUSTE DE LA ALTURA DE LA BOQUILLA DE LA ASPIRADORA: ISe ajusta girando el pomo, hacia la derecha aumenta la altura y hacia la izquierda disminuye. Ajuste la altura de la boquilla en función de las condiciones de la superficie y el tamaño de los desechos; Para aspirar sobre superficies planas, ajuste la boquilla 1/2" (12,7 mm) a 5/8" (15,8 mm) por encima del suelo; Más alta para terrenos irregulares y césped.

PARA UNA MÁXIMA RECOLECCIÓN: Ajuste la boquilla cerca de los desechos, pero sin bloquear el flujo de aire en la boquilla.
NOTA: No entierre nunca la boquilla en los desechos.

 **LIMPIEZA DE UNA BOQUILLA Y ESCAPE OBSTRUIDA:** Apague el motor y espere a que el rotor se detenga completamente y desconecte el cable de la bujía. Utilizando guantes resistentes, retire la obstrucción, esto puede requerir el extraer la boquilla delantera.

PELIGRO, la obstrucción puede contener materiales afilados o punzantes. Vuelva a conectar el cable de la bujía.

BOLSA DE LOS DESECHOS

Las bolsas de los desechos son artículos de desgaste que se reemplazan normalmente.

NOTA: Vacíe los desechos con frecuencia para evitar sobrecargar la bolsa con más peso del que puede levantar. Utilice el faldón de polvo cuando tenga que aspirar desechos en condiciones de mucho polvo.

NO coloque la bolsa en o cerca de una superficie caliente, como por ejemplo un motor. Haga funcionar el motor con el regulador a 1/2 durante la primera media hora para acondicionar la bolsa nueva. Su nueva bolsa necesita un período de rodaje para acondicionar los poros del material y así evitar un bloqueo prematuro. Toda la superficie de la bolsa sirve como un filtro, y debe poder respirar para que tenga un buen de rendimiento. Asegúrese de que el motor se ha detenido por completo antes de extraer o vaciar la bolsa..

FILTRO DEL EXTRACTOR

LOS FILTROS del extractor son artículos de desgaste que se reemplazan normalmente.

El filtro del extractor se utiliza solamente en condiciones secas de mucho polvo. NO humedecer el filtro. Limpiar con aire comprimido ligero solamente.

CALCETÍN DEL POLVO

Los calcetines de polvo son artículos de desgaste que se reemplazan normalmente.

Vea los cuidados del calcetín del polvo en la página siguiente.

Esta aspiradora esta diseñada para recolectar basura, material orgánico y otros desechos similares.

Sin embargo, cuando el polvo se mezcla con la basura se utilizan muchas aspiradoras. Su unidad puede aspirar de forma intermitente en zonas de mucho polvo. El polvo es la mayor causa de perdida de rendimiento de la aspiradora. Sin embargo, el seguir estas reglas le ayudará a mantener la capacidad de su máquina para aspirar en condiciones de mucho polvo:

- Haga funcionar la máquina al ralentí a un cuarto del regulador.
- La bolsa de desechos se debe limpiar con más frecuencia. Una aspiradora con una bolsa de almohada suave y limpia, tendrá un buen rendimiento de recolección. Una con una bolsa sucia y apretada tendrá un mal rendimiento de recolección. Si esta sucia, vacíe y agite con fuerza la bolsa para liberarla de polvo. El tener una o más bolsas de desechos de repuesto es una buena manera de reducir el tiempo de inactividad mientras se limpian las bolsas sucias. **NO** deje desechos en la bolsa mientras están guardadas.

CUIDADO Y MANTENIMIENTO DEL CALCETÍN DE POLVO



QV PUSH Owner's Manual

Fin: El calcetín del polvo actúa como un filtro secundario para reducir la cantidad de polvo que se escapa de la bolsa.

Los calcetines de polvo se pueden utilizar en condiciones secas y polvorientas **SOLAMENTE**. El utilizar el calcetín de polvo en condiciones húmedas o mojadas puede dañar el calcetín de polvo y reducir la eficacia del filtro.

El calcetín de polvo se pueden instalar simplemente uniendo las tiras de velcro de contacto entre la bolsa y el calcetín de polvo. Con el tiempo el calcetín de polvo comenzará a llenarse de polvo debido al uso. De vez en cuando retire el calcetín de polvo, vacíe el polvo suelto y limpie el calcetín. Para una limpieza ligera, simplemente agite el calcetín, para una limpieza más profunda, ver a continuación. Para retirar el calcetín, simplemente separe el Velcro.



Información sobre el cuidado del calcetín del polvo



NO GOLPEAR LA BOLSA CON O CONTRA OBJETOS



NO ENGANCHAR LA BOLSA



LIMPIE LIGERAMENTE CON AIRE COMPRIMIDO SOLAMENTE, DESDE DENTRO HACIA FUERA. MANTENER LA BOQUILLA ENTRE 15-30 CENTIMETROS DEL TEJIDO



NO HUMEDECER

Los calcetines de polvo son artículos de desgaste que se reemplazan normamente. Reemplazo P/N- 831282



QV PUSH Owner's Manual

MANTENIMIENTO

MANTENIMIENTO PERIÓDICO

Se debe llevar a cabo un mantenimiento periódico en los siguientes intervalos de tiempo:

Operación de mantenimiento	Cada uso (diario)	Cada 5 hrs (diario)	Cada 10 hrs	Cada 25 hrs	Cada 50 hrs
Inspeccione en caso de que haya piezas sueltas, gastadas o dañadas.		•			
Limpiar la bolsa de desechos	•				
Comprobar la presión del neumático	•			•	
Motor (Consultar el manual del motor)					
Comprobar que no haya una vibración excesiva		•			
Engrasar					•

Engrasar: Ruedas, Ruedas y rodamientos del eje.

Presión de aire del neumático: Comprobar con regularidad y mantener: Posterior SP 13" neumáticos a **20 psi.** (137.9 kPa).

RETIRAR EL ROTOR

1. Desconectar el cable de la bujía.
2. Asegure la unidad para evitar que se mueva.
3. Retire la boquilla (artículo 7) de la caja, a continuación, retire la placa que está sujeta (artículo 30).
4. Saque la correa (artículo 22) de la polea inferior (artículo 23) y luego deslícela fuera del surco del rotor. Si no consigue sacar la polea inferior, aflojando los rodamientos (artículo 24) en la parte inferior le dará un poco más de juego en la polea.
5. Deslice la correa fuera del surco de la correa en la polea de transmisión del cubo del rotor.
6. Retire el tornillo y la arandela de presión del rotor.
7. Si el rotor se desliza libremente, proceda con el (paso 12). **(No deje caer el rotor).**
8. Si el rotor no sale del cigüeñal, sitúe dos barras de hierro entre el rotor y la caja en lados opuestos. Haga palanca en el rotor del motor hasta que se afloje. *El uso de un aceite penetrante puede ayudar a aflojar un rotor atascado.*
9. Deslice el rotor fuera del eje del cigüeñal y retire el rotor de la caja.
10. Vuelva a instalar el nuevo rotor, el tornillo y la arandela de presión en orden inverso al desmontaje. *(Vea las piezas dibujadas en las páginas 9-12 en ruptura de piezas y lista de piezas en la página 10 para las especificaciones adecuadas del par motor del tornillo del rotor.)*
11. Una vez instalado el rotor, deslice la correa de nuevo en el surco del cubo y póngala de nuevo en la polea inferior. Vuelva a ajustar los rodamientos si se aflojan.
12. Vuelva a montar la placa de la boquilla y la boquilla en orden inverso al desmontaje.
13. Vuelva a conectar el cable de la bujía.
14. Compruebe que funciona correctamente.



QV PUSH Owner's Manual

SOLUCIÓN DE PROBLEMAS

Problema	Posible causa	Solución
Vibraciones anormales	Rotor suelto o desequilibrado o motor suelto.	Comprobar el rotor y reemplazar si es necesario. Revisar el motor.
No aspira o tiene un mal rendimiento	Bolsa de desechos sucia. La altura de la boquilla está demasiado alta o baja. Falta la tapa del equipo de la manguera. La boquilla o el escape están obstruidos. Una cantidad excesiva de desechos.	Limpiar la bolsa de desechos Agitar la bolsa limpiar o lavar. Ajustar la altura de la boquilla. Compruebe la tapa del equipo de la manguera. Desatascar la boquilla o el escape. Permita que el aire pase con los desechos.
El motor no arranca	Deje de apagar. El regulador está en posición de apagado. El motor no está totalmente en la posición del estrangulador. Sin gasolina. Gasolina vieja o de mala calidad. El cable de la bujía está desconectado. Filtro de aire sucio. Bajo nivel de aceite (Honda solamente).	Compruebe los interruptores de parada, el regulador, la posición del estrangulador y la gasolina. Conectar el cable de la bujía. Limpiar o reemplazar el filtro de aire. O póngase en contacto con el servicio técnico.
El motor está bloqueado, no se detendrá	Desechos atacados en el rotor. Problema en el motor.	Ver la página 6, Póngase en contacto con un distribuidor de servicio del motor para los problemas del motor.
La boquilla raspa el suelo en el ajuste de menor altura	Altura de la boquilla fuera de ajuste.	Ajuste de la altura de la boquilla (Ver ajuste fino de la altura de la boquilla para superficies duras en la página 6.